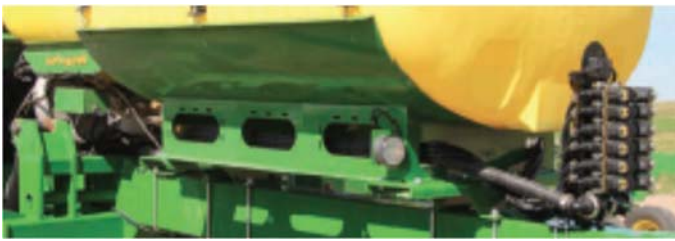




# *Tank & Tank Bracket Kits*



Planter Description	Tank Size
1720/1725 CCS	2 x 150 Gallon
1760 12R30 - Row Boxes	150 Gallon
1760 12R30 - Row Boxes	200 Gallon
1765NT 12R30 - Row Boxes	150 Gallon
1765NT 12R30 - Row Boxes	200 Gallon
1770NT/1775NT 12R30 - CCS	400 Gallon
1770NT/1775NT 12R30 - Row Boxes	400 Gallon
1770NT/1775NT 12R30 - CCS, No Markers	500 Gallon
1770NT/1775NT 16R30 - CCS	2 x 150 Gal Ø (Wing)
1770NT/1775NT 16R30 - Row Boxes	2 x 150 Gal Ø (Wing)
1770NT/1775NT 16R30 - CCS	2 x 200 Gal Ø (Wing)
1770NT/1775NT 16R30 - Row Boxes	2 x 200 Gal Ø (Wing)
1770NT/1775NT 16R30 - CCS	400 Gallon
1770NT/1775NT 16R30 - Row Boxes	400 Gallon
1770NT/1775NT 16R30 - CCS	500 Gallon
1770NT/1775NT 16R30 - Row Boxes	500 Gallon
1770NT/1775NT 16R30 - CCS, No Markers	600 Gallon
1770NT/1775NT 16R30 - Row Boxes, No Markers	600 Gallon
1770NT/1775NT 16R30 - CCS, No Markers	750 Gallon
1770NT/1775NT 16R30 - Row Boxes, No Markers	750 Gallon
1770NT/1775NT 24R30 - CCS	2 x 200 Gal Ø (Wing)
1770NT 24R30 - Row Boxes (2016 and older)	2 x 200 Gal Ø (Wing)
1770NT/1775NT 24R30 - CCS	500 Gallon
1770NT/1775NT 24R30 - Row Boxes	500 Gallon
1770NT/1775NT 16R30 - CCS, No Markers	600 Gallon
1770NT/1775NT 16R30 - Row Boxes, No Markers	600 Gallon
1770NT/1775NT 24R30 - CCS	750 Gallon
1770NT/1775NT 24R30 - Row Boxes	750 Gallon
1790/1795 - 12/23 15in - CCS	400 Gallon Ø
1790/1795 - 16/31 15in - CCS	400 Gallon
1790/1795 - 16/31 15in - CCS	500 Gallon
1790/1795 - 24R20 15in - CCS	400 Gallon
1790/1795 - 24R20 15in - CCS	500 Gallon
DB 44 - 24R22 - CCS	400 Gallon
DB 44 - 24R30 - CCS	400 Gallon
DB 60 - 24R30, 36R20, 47R15 - CCS	400 Gallon
DB 60 - 24R30, 36R20, 47R15 - CCS	500 Gallon
DB 60 - 24R30, 36R20, 47R15 - CCS	750 Gallon
DB80 - 32R30, 48R20, 48R22 - CCS	500 Gallon
DB80 - 32R30, 48R20, 48R22 - CCS	750 Gallon
DB90 - 36R30, 54R20 - CCS	500 Gallon
DB90 - 36R30, 54R20 - CCS	750 Gallon
DB120 - 48R30 - CCS	750 Gallon
DR24 - 24R30 - CCS Pivot Stack Fold	2 x 300 Gallon Ø

## Universal Tank Bracket Kits

Kit Description	Kit Number
Universal 150 Gal Round Tank Kit—Yellow (32"Ø x 52" Tank)	530-00-100100
Universal 150 Gallon Elliptical Tank Kit—Yellow	530-00-100150
Universal 150 Gallon Round Tank—White (32"Ø x 52" Tank)	530-00-150100
Universal 150 Gallon Round Tank—Yellow (32"Ø x 52" Tank)	530-00-150200
Universal 200 Gallon Round Tank—White (32"Ø x 68" Tank)	530-00-200100
Universal 200 Gallon Round Tank—White (38"Ø x 51" Tank)	530-00-200150
Universal 200 Gallon Round Tank—Yellow (32"Ø x 68" Tank)	530-00-200200
Universal 200 Gallon Round Tank—Yellow (38"Ø x 51" Tank)	530-00-200250
Universal 300 Gallon Round Tank—White (38"Ø x 76" Tank)	530-00-300100
Universal 300 Gallon Round Tank—Yellow (38"Ø x 76" Tank)	530-00-300200
150 Gal Tank, Bracket, & Hardware for John Deere Applications	530-01-025150
200 Gal Tank, Bracket, and Hardware for John Deere Applications	530-01-025200

Planter Description	Tank Size
1200 Pivot Fold Bulk Fill	2 x 200 Side Mount
1240 12R30 Pivot Fold Bulk Fill	2 x 200 Side Mount
1240 12R30 Pivot Fold Bulk Fill	2 x 200 Side Mount
1245 16R30 Pivot Fold Bulk Fill	2 x 200 Side Mount
1245 16R30 Pivot Fold Bulk Fill	2 x 200 Side Mount
1250/1255 Front Fold - 12R30 Bulk Fill	300 Gallon Round
1250/1255 Front Fold - 12R30 Non-Bulk Fill (Front Hitch Mount)	500 Gallon Elliptical
1250/1255 Front Fold - 12R30 Non-Bulk Fill (Rear Hitch Mount)	500 Gallon Elliptical
1250/1255 Front Fold - 16R30 Bulk Fill	300 Gallon Round
1250/1255 Front Fold - 16R30 Bulk Fill	400 Gallon Elliptical
1250/1255 Front Fold - 16R30 Bulk Fill	500 Gallon Elliptical
1250/1255 Front Fold - 16R30 Non-Bulk Fill (Front Hitch Mount)	500 Gallon Elliptical
1250/1255 Front Fold - 16R30 Non-Bulk Fill (Rear Hitch Mount)	500 Gallon Elliptical
1250/1255 Front Fold - 24R30 Bulk Fill	400 Gallon Elliptical
1250/1255 Front Fold - 24R30 Bulk Fill	500 Gallon Elliptical
2145 24R30 Pivot Fold Bulk Fill	2 x 200 Side Mount
2150 Front Fold - 16R30 Bulk Fill	400 Gallon Elliptical
2150 Front Fold - 16R30 Bulk Fill	500 Gallon Elliptical
2150 Front Fold - 16R30 Bulk Fill	600 Gallon Elliptical
2150 Front Fold - 24R30 Bulk Fill	400 Gallon Elliptical
2150 Front Fold - 24R30 Bulk Fill	500 Gallon Elliptical
2150 Front Fold - 24R30 Bulk Fill	600 Gallon Elliptical



Planter Description	Tank Size
2000/3000 - Interplant (16/31 Row) Rigid Mounted	2 x 150 Gallon Elliptical
2000/3000 - Interplant (16/31 Row) Rigid Mounted	2 x 200 Gallon Elliptical
2500/3500 - (6/11 or 8/15 Row) Row Unit Hopper Pivot Fold	2 x 100 Gallon Round
2600/3600 - Interplant (12/23 or 16/31 Row)	2 x 100 Gallon Elliptical
2600/3600 - Interplant (12/23 Row)	2 x 150 Gallon Elliptical
3600/3660 - Interplant, Row Unit Hopper Pivot Fold	2 x 150 Gallon Round
3600/3660 - Interplant, Row Unit Hopper Pivot Fold	2 x 200 Gallon Round
3600/3660 - Interplant, Bulk Fill Pivot Fold	2 x 100 Gallon Round
3600/3660 - Interplant, Bulk Fill Pivot Fold	2 x 150 Gallon Round
3600/3660 - Interplant, Bulk Fill Pivot Fold	2 x 200 Gallon Round
3600/3660 - Non-Interplant Pivot Fold	2 x 100 Gallon Round
3600/3660 - Non-Interplant Pivot Fold	2 x 150 Gallon Round
3600/3660 - Non-Interplant Pivot Fold	2 x 200 Gallon Round
3700 - 24R20 Bulk Fill Front Fold	200 Gallon Round
3700 - 36R30 Bulk Fill Front Fold	200 Gallon Round
4900 - 12R30 Bulk Fill Front Fold	400 Gallon Elliptical
4900 - 16R30 Bulk Fill Front Fold	400 Gallon Elliptical
4900 - 16R30 Bulk Fill Front Fold	500 Gallon Elliptical
4900 - 24R30 Bulk Fill Front Fold	400 Gallon Elliptical
4900 - 24R30 Bulk Fill Front Fold	500 Gallon Elliptical
4900 - 24R30 Bulk Fill Front Fold	750 Gallon Elliptical



Kit Description	Kit Number
55 Gallon White Accelerator Top Fill Tank & Rinse Basin with Jet Agitator	524-01-005501
55 Gallon White Accelerator Top Fill Tank & Rinse Basin with Jet Agitator	524-01-005550
110 Gallon White Accelerator Top Fill Tank & Rinse Basin with Jet Agitator	524-01-011001
110 Gallon White Accelerator Top Fill Tank & Rinse Basin with Jet Agitator	524-01-011050
155 Gallon White Accelerator Top Fill Tank & Rinse Basin with Jet Agitator	524-01-015501
155 Gallon White Accelerator Top Fill Tank & Rinse Basin with Jet Agitator	524-01-015550

# Table Of Contents



Kit Number	Kit Description	Page
530-01-025150	150 Gal Tank, Bracket, & Hardware for John Deere Applications	A1
530-01-025200	200 Gal Tank, Bracket, and Hardware for John Deere Applications	A2
530-01-150500	John Deere 1770/1775 24R30 - 500 Gallon Elliptical Hitch Mount Tank Kit	A3
530-01-150550	John Deere 1770/1775 24R30 - 600 Gallon Elliptical Hitch Mount Tank Kit	A4
530-01-150600	John Deere 1770/1775 24R30 - 750 Gallon Elliptical Hitch Mount Tank Kit	A5
530-01-250400	John Deere 1770/1775 16R30 - 400 Gallon Elliptical Hitch Mount Tank Kit	A6
530-01-250500	John Deere 1770/1775 16R30 - 500 Gallon Elliptical Hitch Mount Tank Kit	A7
530-01-250550	John Deere 1770/1775 16R30 - 600 Gallon Elliptical Hitch Mount Tank Kit	A8
530-01-250750	John Deere 1770/1775 12R30 - 400 Gallon Elliptical Hitch Mount Tank Kit	A9
530-01-350300	John Deere 1790/1795 30' - 400 Gallon Round Hitch Mount Tank Kit	A10
530-01-350500	John Deere 1790/1795 40' - 400 Gallon Elliptical Hitch Mount Tank Kit	A11
530-01-350700	John Deere 1790/1795 40' - 500 Gallon Elliptical Hitch Mount Tank Kit	A12
530-01-450500	John Deere DB Series - 500 Gallon Elliptical Hitch Mount Tank Kit	A13
530-01-450550	John Deere DB44 (and smaller) - 500 Gallon Elliptical Hitch Mount Tank Kit	A14
530-01-450600	John Deere DB Series - 750 Gallon Elliptical Hitch Mount Tank Kit	A15
530-01-550250	John Deere 1760/1765 12R30 - 150 Gallon Elliptical Wing Mounted Tank Kit	A16
530-01-550500	John Deere 1760/1765 12R30 - 200 Gallon Elliptical Wing Mounted Tank Kit	A17
530-01-550600	John Deere 1770/1775 24R30 - 200 Gallon Round Wing Mounted Tank Kit	A18
530-01-550650	John Deere 1770/1775 24R30 - 200 Gallon Round Wing Mounted Tank Kit (No Markers)	A19
530-01-550750	John Deere 1770/1775 16R30 - 200 Gallon Round Wing Mounted Tank Kit	A20
530-01-650500	John Deere 1720/1725 CCS - 150 Gallon Tank Mount Kit	A21
530-01-700500	John Deere 1780 - 150 Gallon Elliptical Tank Kit	A22
530-01-750500	John Deere DR24 - Dual 300 Gallon Round Tank Kit (Customer Provided 7x7 Mounting Tube)	A23



Kit Number	Kit Description	Page
530-02-150500	Case iH 1250/1255 24R30 - 500 Gallon Elliptical Hitch Mount Tank Kit	B1
530-02-150750	Case iH 1250/1255 24R30 - 400 Gallon Elliptical Hitch Mount Tank Kit	B2
530-02-250500	Case iH 1250/1255 - 300 Gallon Round Hitch Mount Tank Kit (12R30/16R30 Bulk Fill)	B3
530-02-250550	Case iH 1250/1255 - 500 Gallon Elliptical Tank Kit Rear Hitch Mount Tank Kit (12R30/16R30 Non-Bulk Fill)	B4
530-02-250600	Case iH 1250/1255 - 500 Gallon Elliptical Tank Kit Forward Hitch Mount Tank Kit (12R/16R Non-Bulk Fill)	B5
530-02-250650	Case iH 1250/1255 - 400 Gallon Elliptical Hitch Mount Tank Kit (16R30 Bulk Fill)	B6
530-02-400400	Case iH 2150 - 400 Gallon Elliptical Tank Kit (16R30/24R30 Bulk Fill)	B7
530-02-400500	Case iH 2150 - 500 Gallon Elliptical Tank Kit (16R30/24R30 Bulk Fill)	B8
530-02-400600	Case iH 2150 - 600 Gallon Elliptical Tank Kit (16R30/24R30 Bulk Fill)	B9



Kit Number	Kit Description	Page
530-03-025100	Kinze Non-Interplant 100 Gallon Tank Kit - All Models	C1
530-03-025150	Kinze Non-Interplant 150 Gallon Tank Kit - All Models	C2
530-03-025200	Kinze Non-Interplant 200 Gallon Tank Kit - All Models	C3
530-03-100200	Kinze 3700 Front Fold 200 Gallon Round Tank Kit	C4
530-03-200100	Kinze 2500/3500 Interplant 100 Gallon Round Tank Kit (6/11 or 8/15 Row)	C5
530-03-200125	Kinze 2600/3600 Interplant 100 Gallon Round Tank Kit (12/23 or 16/31 Row)	C6
530-03-200150	Kinze 2600/3600 Interplant 150 Gal Elliptical Tank (12/23 Row) - Front Boxes off	C7
530-03-200175	Kinze 2000/3000 Interplant 150 Gal Elliptical Tank Kit (16/31 Row)	C8
530-03-200200	Kinze 2000/3000 Interplant 200 Gal Elliptical Tank Kit (16/31 Row)	C9
530-03-200225	Kinze 3600/3660 Interplant 100 Gallon Round Tank Kit - ASD	C10
530-03-200250	Kinze 3600/3660 Interplant 150 Gallon Round Tank Kit - ASD	C11
530-03-200275	Kinze 3600/3660 Interplant 200 Gallon Round Tank Kit - ASD	C12
530-03-200325	Kinze 3600/3660 Interplant 150 Gallon Round Tank Kit - Row Boxes	C13
530-03-200350	Kinze 3600/3660 Interplant 200 Gallon Round Tank Kit - Row Boxes	C14



Kit Number	Kit Description	Page
530-04-150500	Agco-White 9816 16R30 - 400 Gallon Round Hitch Mount Tank Kit	D1



# Table Of Contents

## *Universal Tank Bracket Kits*

Kit Number	Kit Description	Page
530-00-100100	Universal 150 Gal Tank Kit	E1
530-00-100150	Universal 150 Gallon Yellow Elliptical Tank Kit	E2
530-00-150100	White 150 Gallon Tank Kit for 32" Tank/ Black Saddles	E3
530-00-150200	Yellow 150 Gallon Tank Kit for 32" Tank/ Green Saddles	E4
530-00-200100	White 200 Gallon Tank Kit for 32" Tank/ Black Saddles	E5
530-00-200150	White 200 Gallon Tank Kit for 38" Tank/ Black Saddles	E6
530-00-200200	Yellow 200 Gallon Tank Kit for 32" Tank/ Green Saddles	E7
530-00-200250	Yellow 200 Gallon Tank Kit for 38" Tank/ Green Saddles	E8
530-00-300100	White 300 Gallon Tank Kit for 38" Tank/ Black Saddles	E9
530-00-300200	Yellow 300 Gallon Tank Kit for 38" Tank/ Green Saddles	E10



Kit Number	Kit Description	Page
524-01-005501	55 Gallon White Acclerator Top Fill Tank & Rinse Basin with Jet Agitator	E11
524-01-005550	55 Gallon White Acclerator Top Fill Tank & Rinse Basin with Jet Agitator	E11
524-01-011001	110 Gallon White Acclerator Top Fill Tank & Rinse Basin with Jet Agitator	E12
524-01-011050	110 Gallon White Acclerator Top Fill Tank & Rinse Basin with Jet Agitator	E12
524-01-015501	155 Gallon White Acclerator Top Fill Tank & Rinse Basin with Jet Agitator	E12
524-01-015550	155 Gallon White Acclerator Top Fill Tank & Rinse Basin with Jet Agitator	E12

**A**

John Deere

**B**

Case IH

**C**

Kinze

**D**

AGCO / White

**E**

Universal

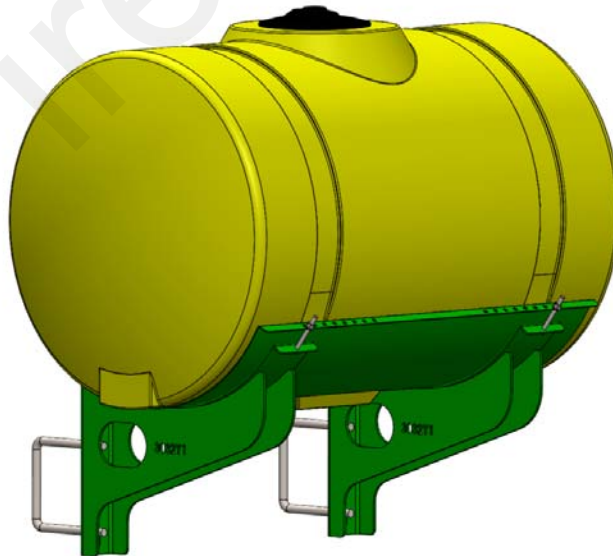
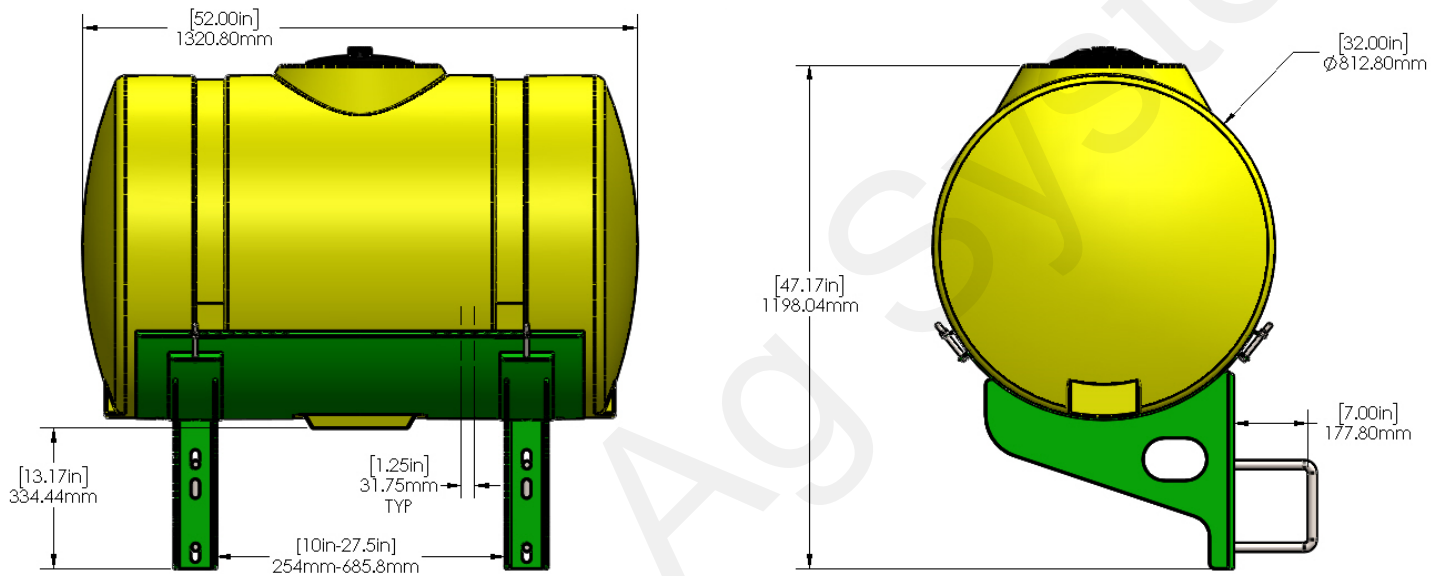
# 530-01-025150

## 150 Gal Tank, Bracket, & Hardware for John Deere Applications

Instruction Sheet: N/A

A

John Deere



### Recommended Fill Kits

- 520-00-1015 - 2" Flange Fill kit w/ 1-1/2" Hose
- 520-00-2010 - Two Tank Fill Kit

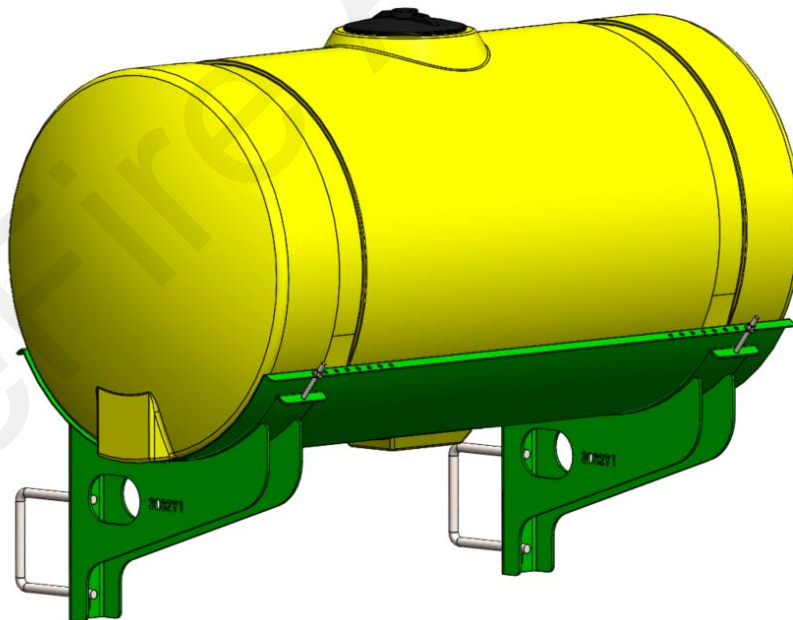
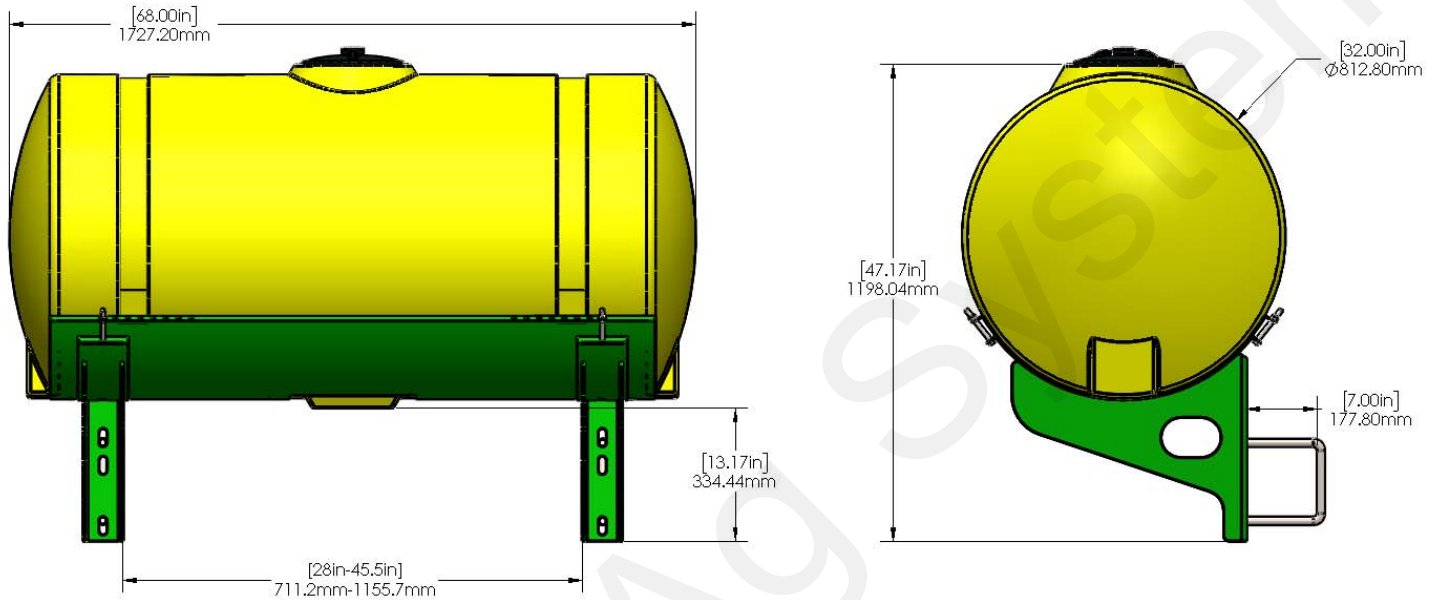
# 530-01-025200

## 200 Gal Tank, Bracket, and Hardware for John Deere Applications

Instruction Sheet: N/A

# A

John Deere



### Recommended Fill Kits

- 520-00-1015 - 2" Flange Fill kit w/ 1-1/2" Hose
- 520-00-2010 - Two Tank Fill Kit

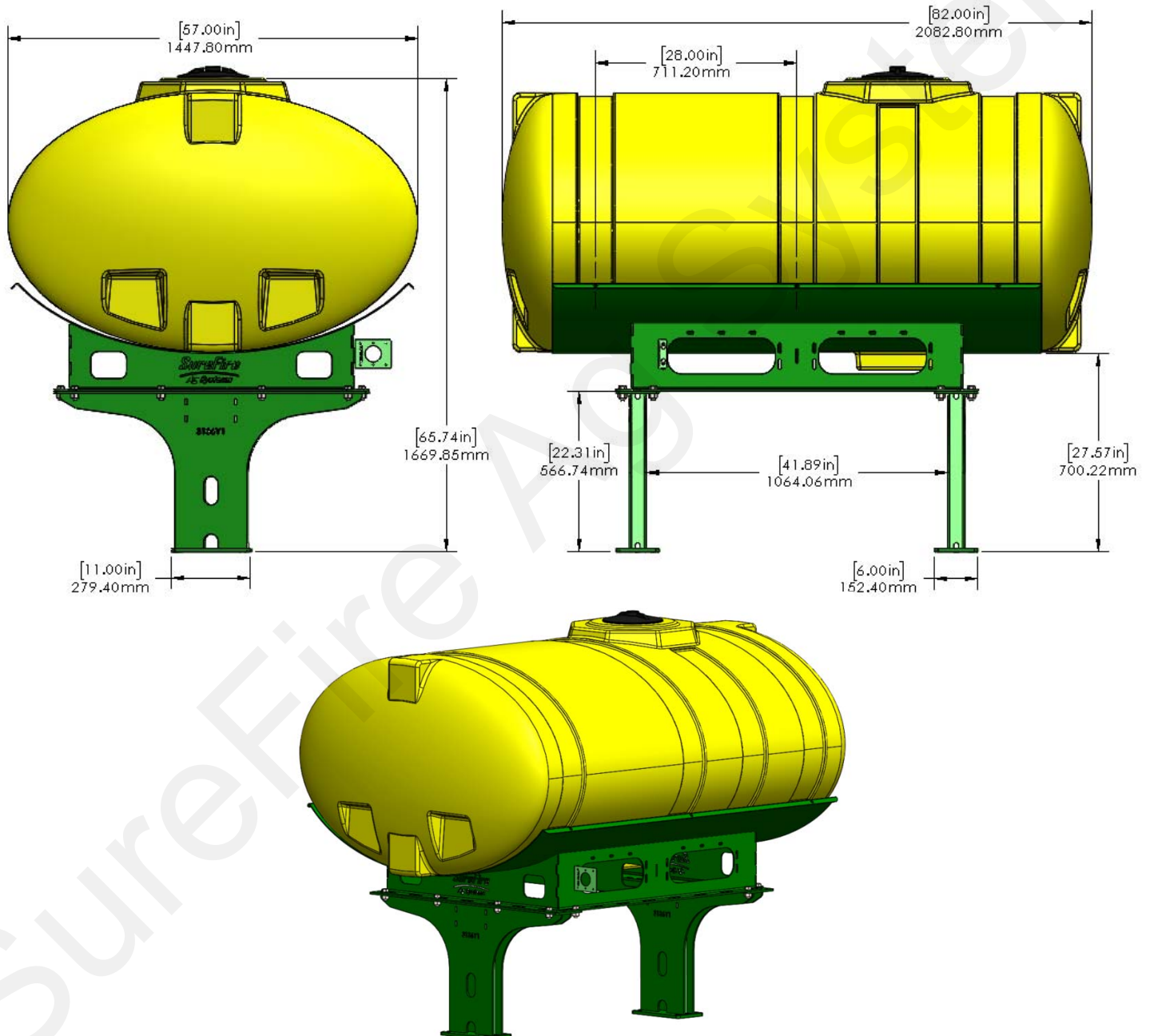


# 530-01-150500

## John Deere 1770/1775 24R30 - 500 Gallon Elliptical Hitch Mount Tank Kit Instruction Sheet: 396-001290

A

John Deere



### Recommended Fill Kits

- 520-00-101710 - John Deere Planter Fill Kit (w/o rear hitch)
- 520-00-101720 - John Deere Planter Fill Kit (w/ rear hitch)

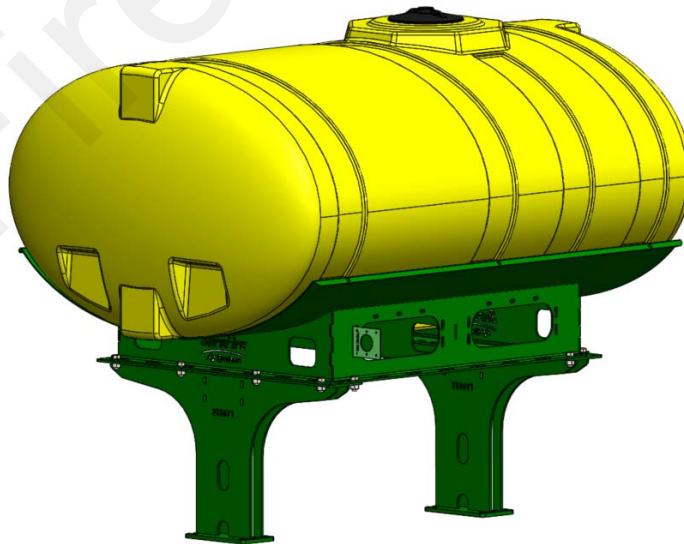
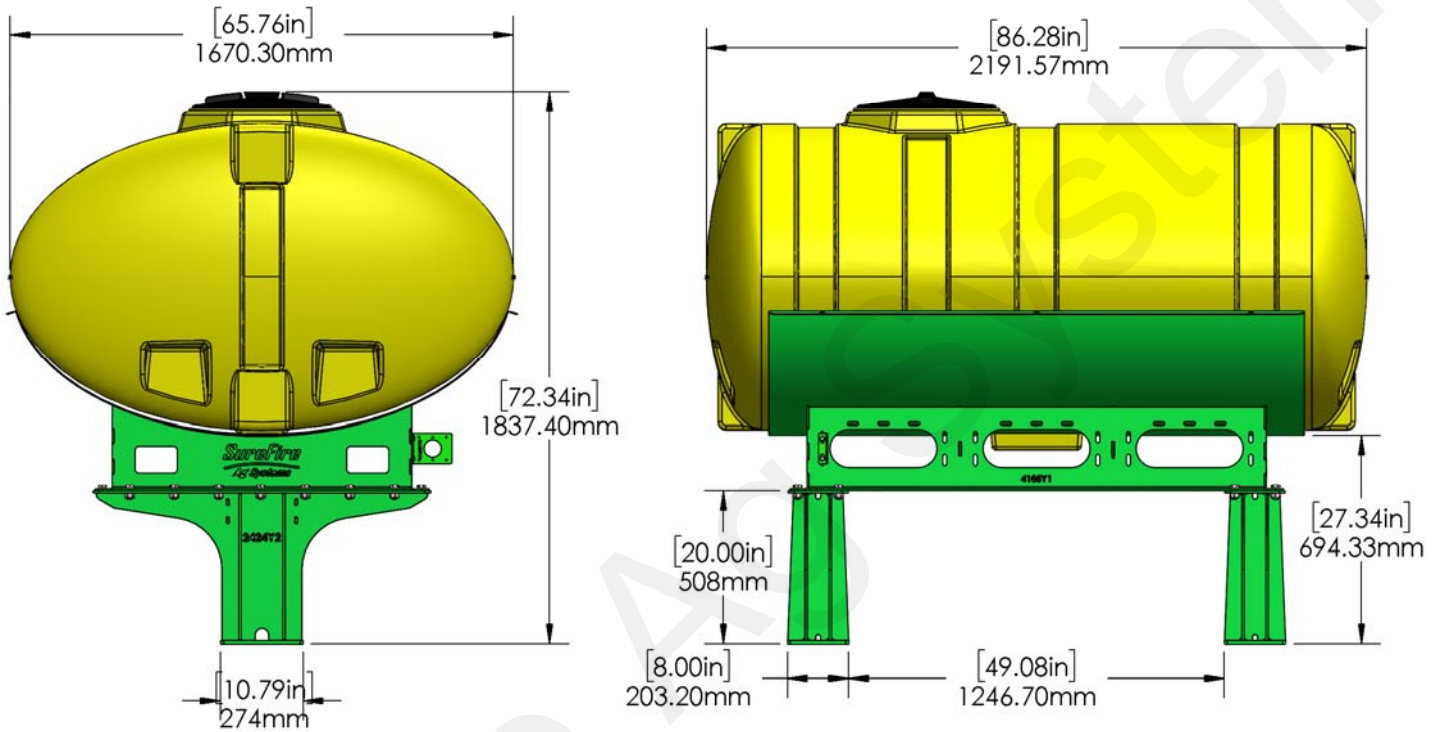


# 530-01-150550

## John Deere 1770/1775 24R30 - 600 Gallon Elliptical Hitch Mount Tank Kit Instruction Sheet: 396-001290

# A

John Deere



### Recommended Fill Kits

- 520-00-101710 - John Deere Planter Fill Kit (w/o rear hitch)
- 520-00-101720 - John Deere Planter Fill Kit (w/ rear hitch)



**SureFire**  
Ag Systems

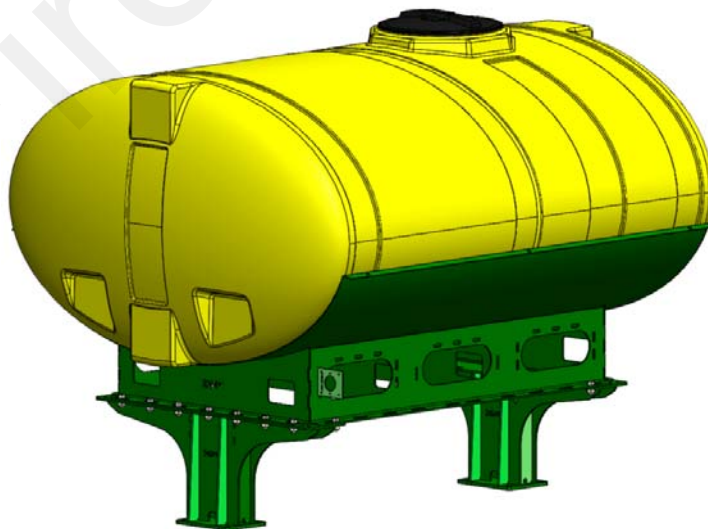
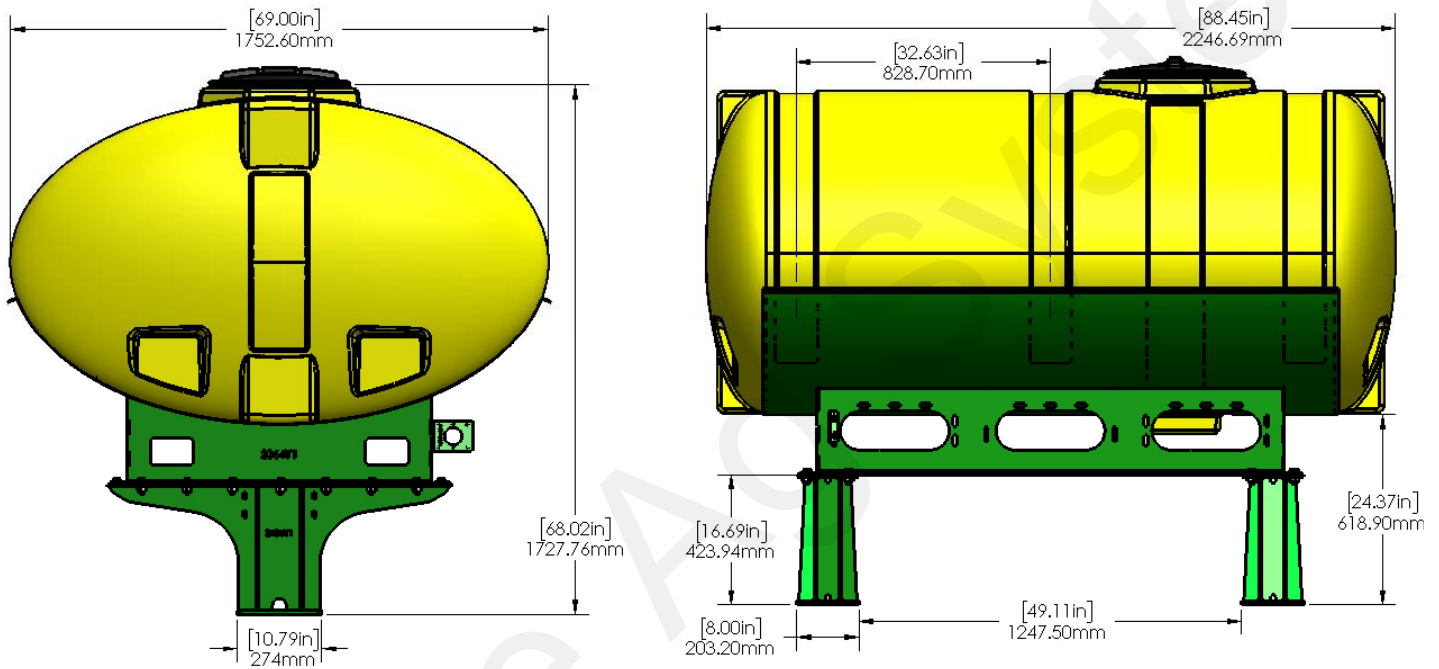
Tanks Kit Catalog

©2018 SureFire Ag Systems, Inc.—All Rights Reserved



# 530-01-150600

## John Deere 1770/1775 24R30 - 750 Gallon Elliptical Hitch Mount Tank Kit Instruction Sheet: 396-001290

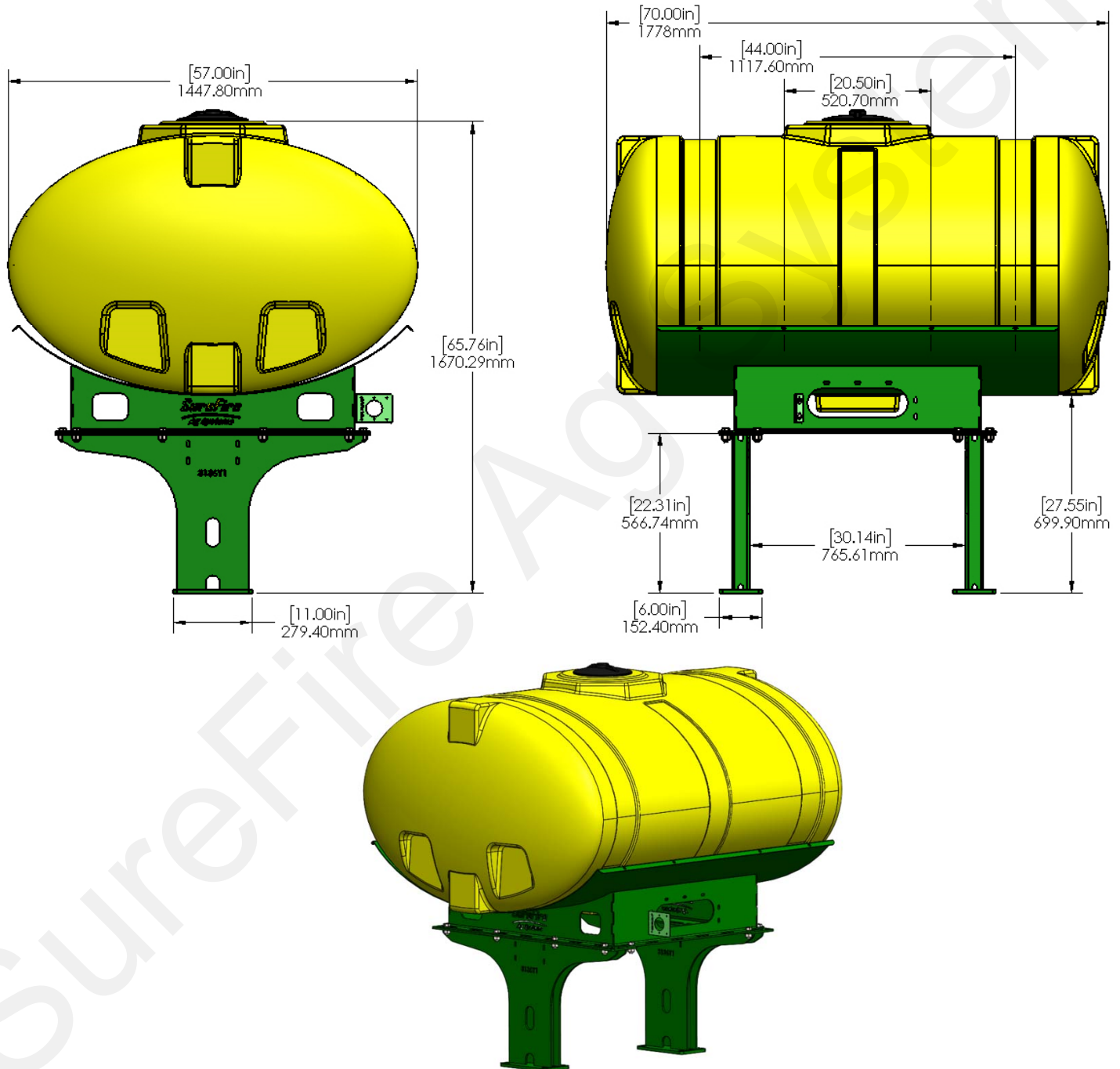
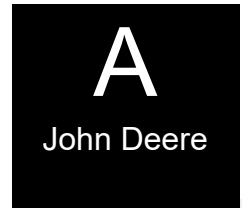


### Recommended Fill Kits

- 520-00-101710 - John Deere Planter Fill Kit (w/o rear hitch)
- 520-00-101720 - John Deere Planter Fill Kit (w/ rear hitch)

# 530-01-250400

## John Deere 1770/1775 16R30 - 400 Gallon Elliptical Hitch Mount Tank Kit Instruction Sheet: 396-001310



### Recommended Fill Kits

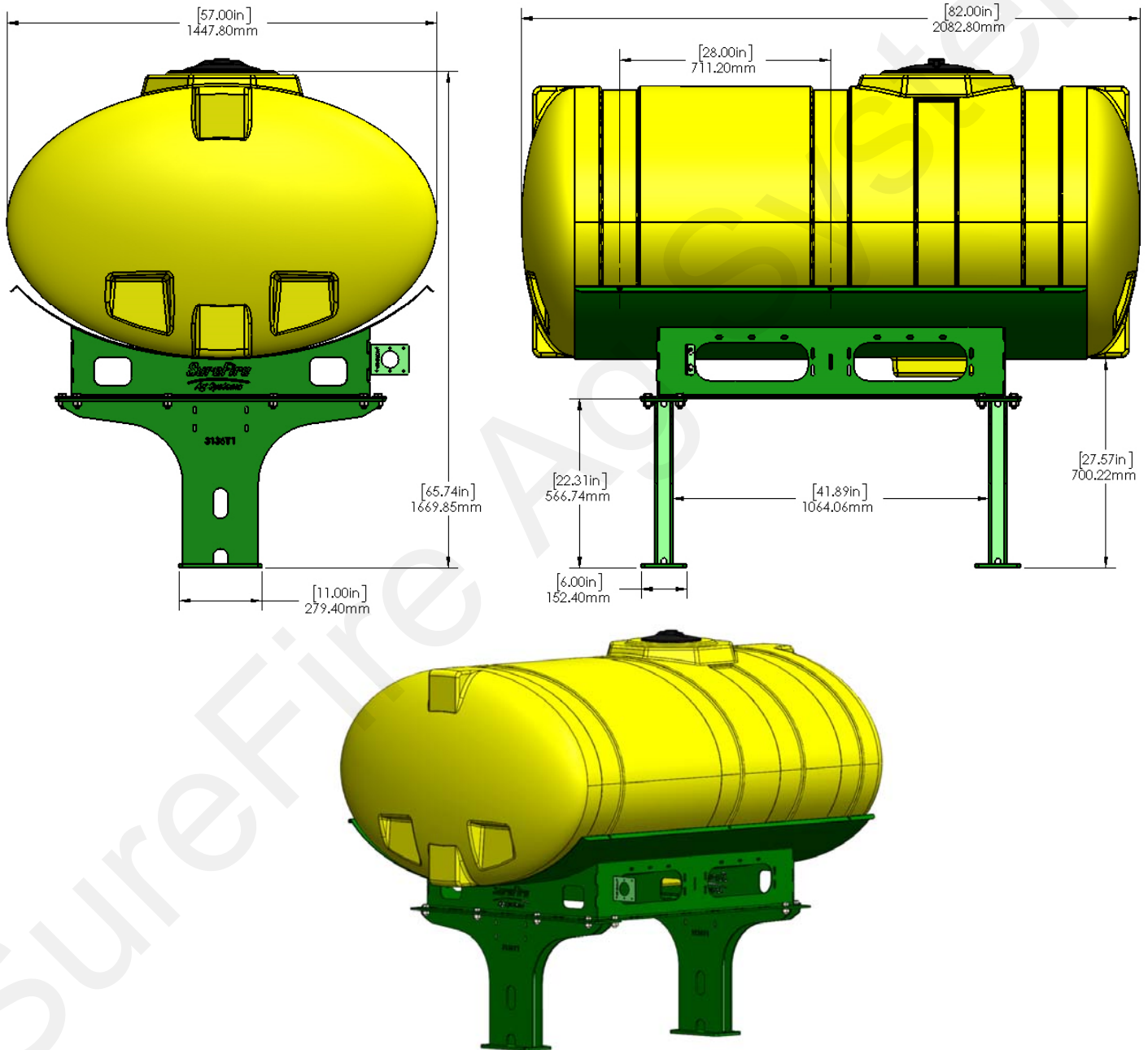
- 520-00-101710 - John Deere Planter Fill Kit (w/o rear hitch)
- 520-00-101720 - John Deere Planter Fill Kit (w/ rear hitch)

# 530-01-250500

## John Deere 1770/1775 16R30 - 500 Gallon Elliptical Hitch Mount Tank Kit Instruction Sheet: 396-001310

# A

John Deere



### Recommended Fill Kits

- 520-00-101710 - John Deere Planter Fill Kit (w/o rear hitch)
- 520-00-101720 - John Deere Planter Fill Kit (w/ rear hitch)

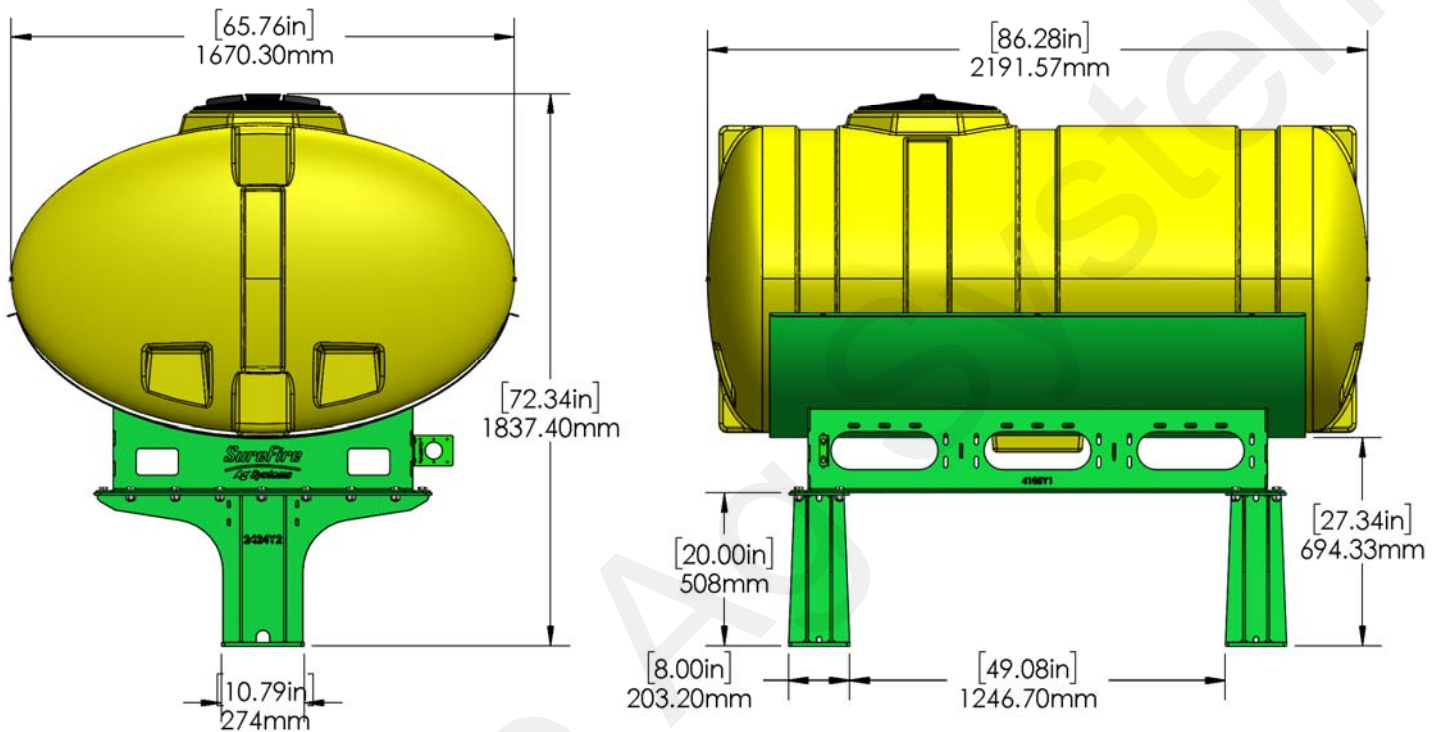
# 530-01-250550

## John Deere 1770/1775 16R30 - 600 Gallon Elliptical Hitch Mount Tank Kit

### Instruction Sheet: 396-001310

# A

John Deere

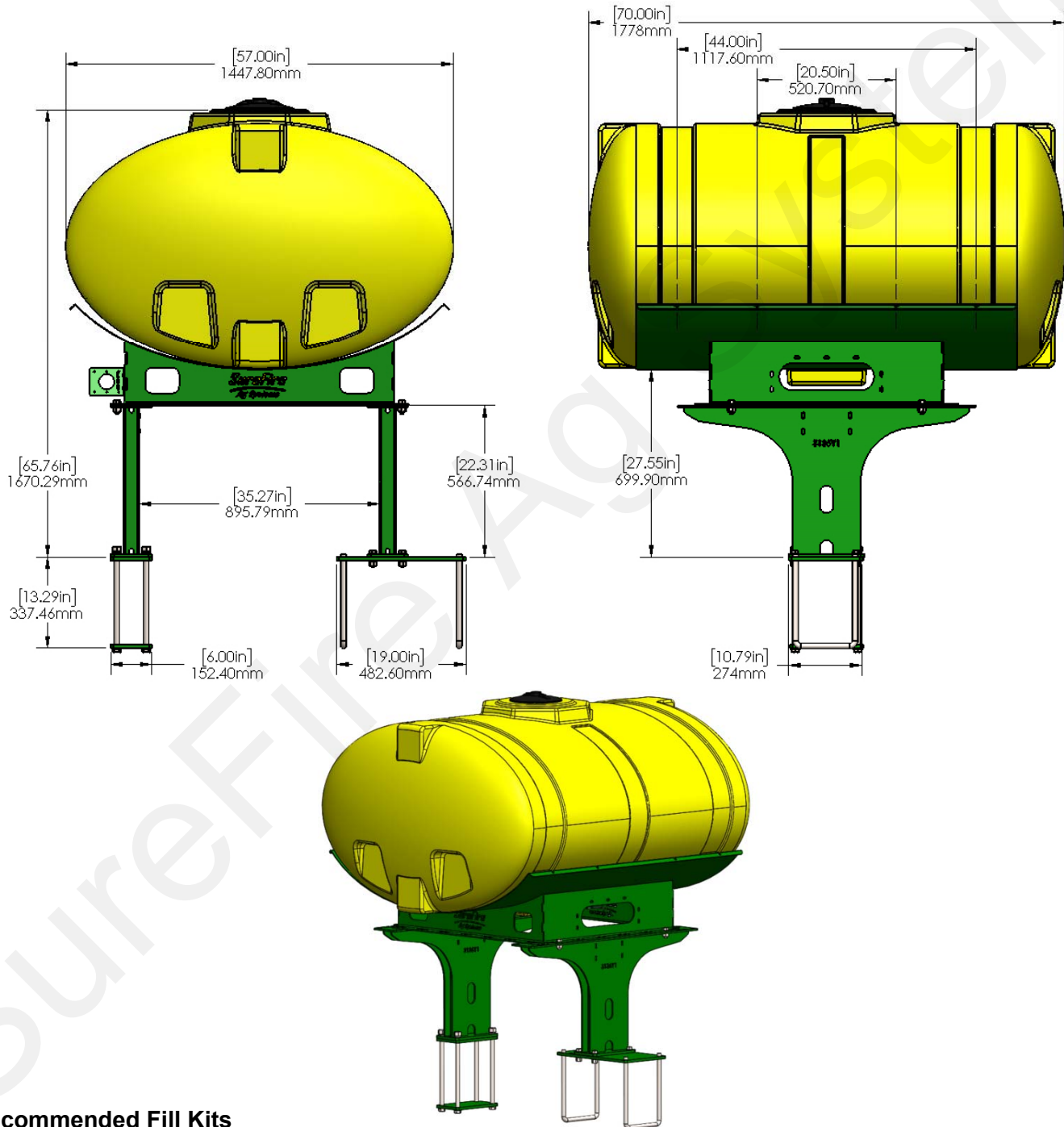


#### Recommended Fill Kits

- 520-00-101710 - John Deere Planter Fill Kit (w/o rear hitch)
- 520-00-101720 - John Deere Planter Fill Kit (w/ rear hitch)

# 530-01-250750

## John Deere 1770/1775 12R30 - 400 Gallon Elliptical Hitch Mount Tank Kit Instruction Sheet: 396-001390

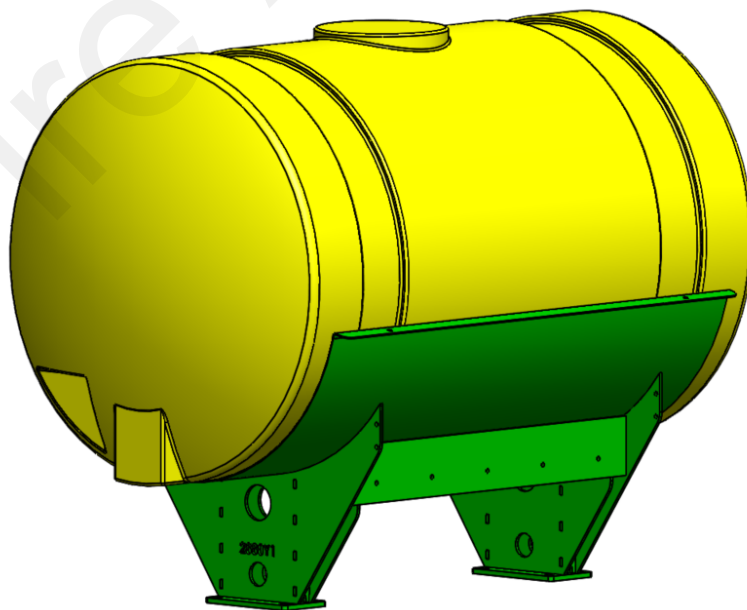
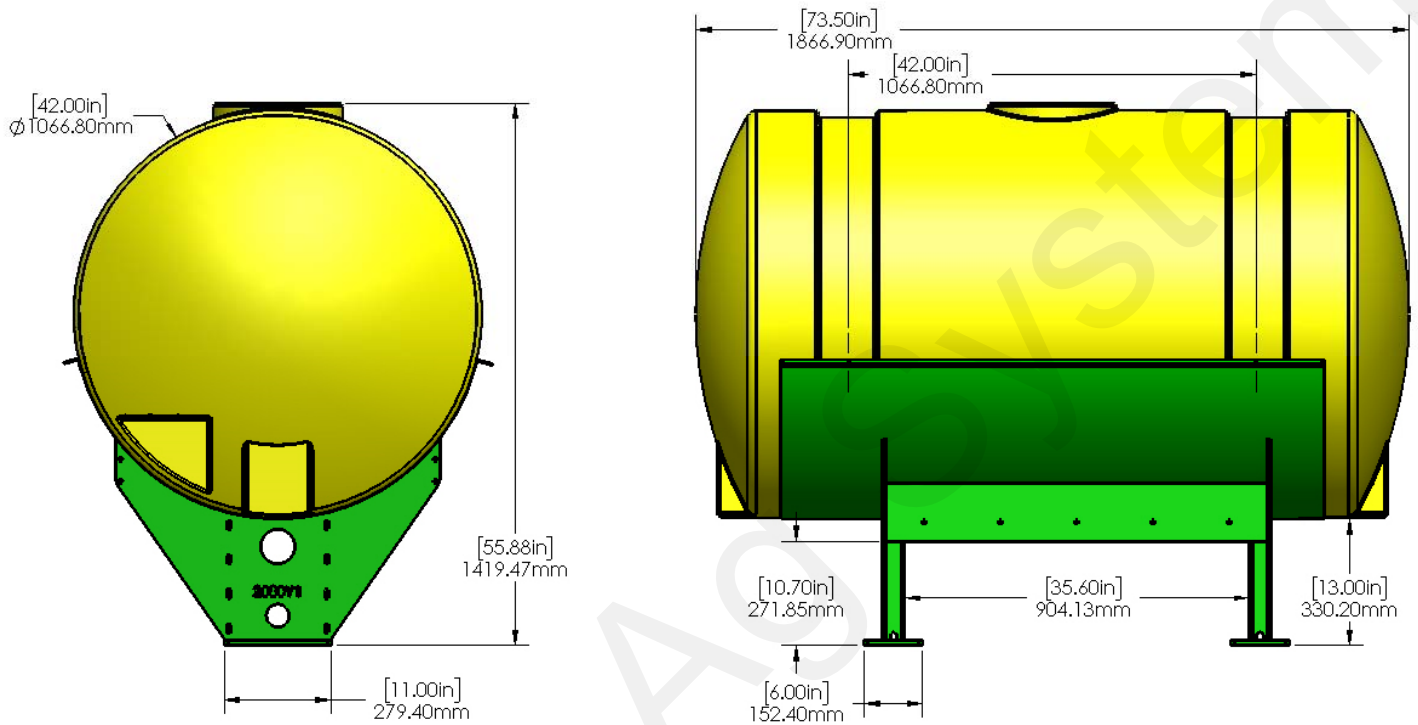


### Recommended Fill Kits

- 520-00-101710 - John Deere Planter Fill Kit (w/o rear hitch)
- 520-00-101720 - John Deere Planter Fill Kit (w/ rear hitch)

# 530-01-350300

## John Deere 1790/1795 30' - 400 Gallon Round Hitch Mount Tank Kit Instruction Sheet: 396-2874Y1

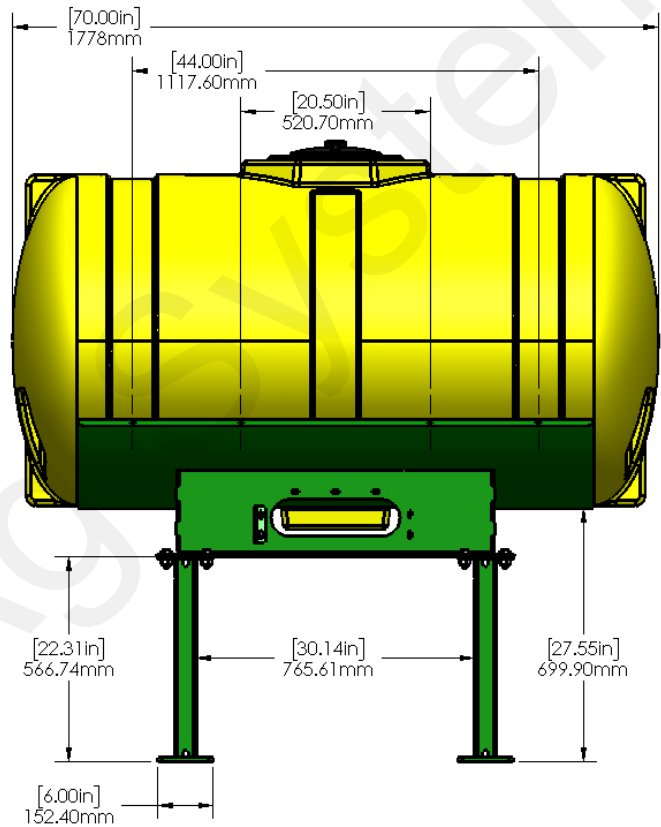
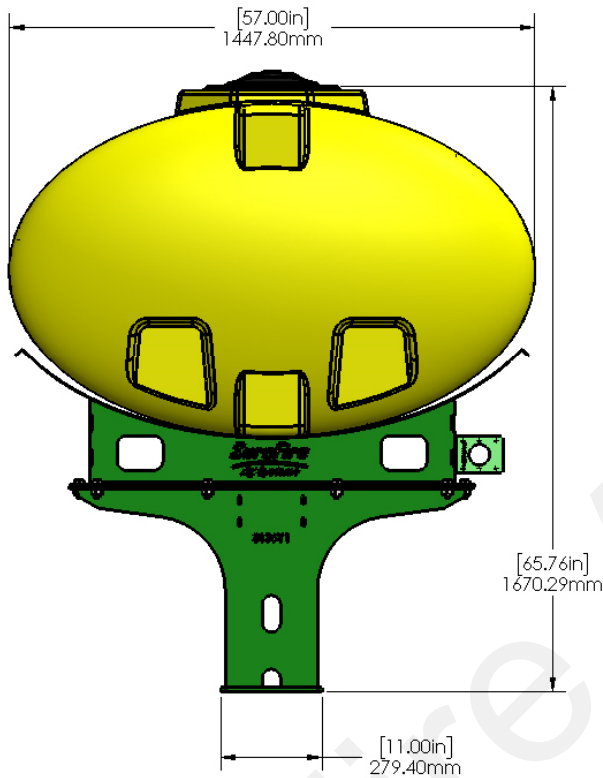


### Recommended Fill Kits

- 520-00-101710 - John Deere Planter Fill Kit (w/o rear hitch)
- 520-00-101720 - John Deere Planter Fill Kit (w/ rear hitch)

# 530-01-350500

## John Deere 1790/1795 40' - 400 Gallon Elliptical Hitch Mount Tank Kit Instruction Sheet: 396-001400

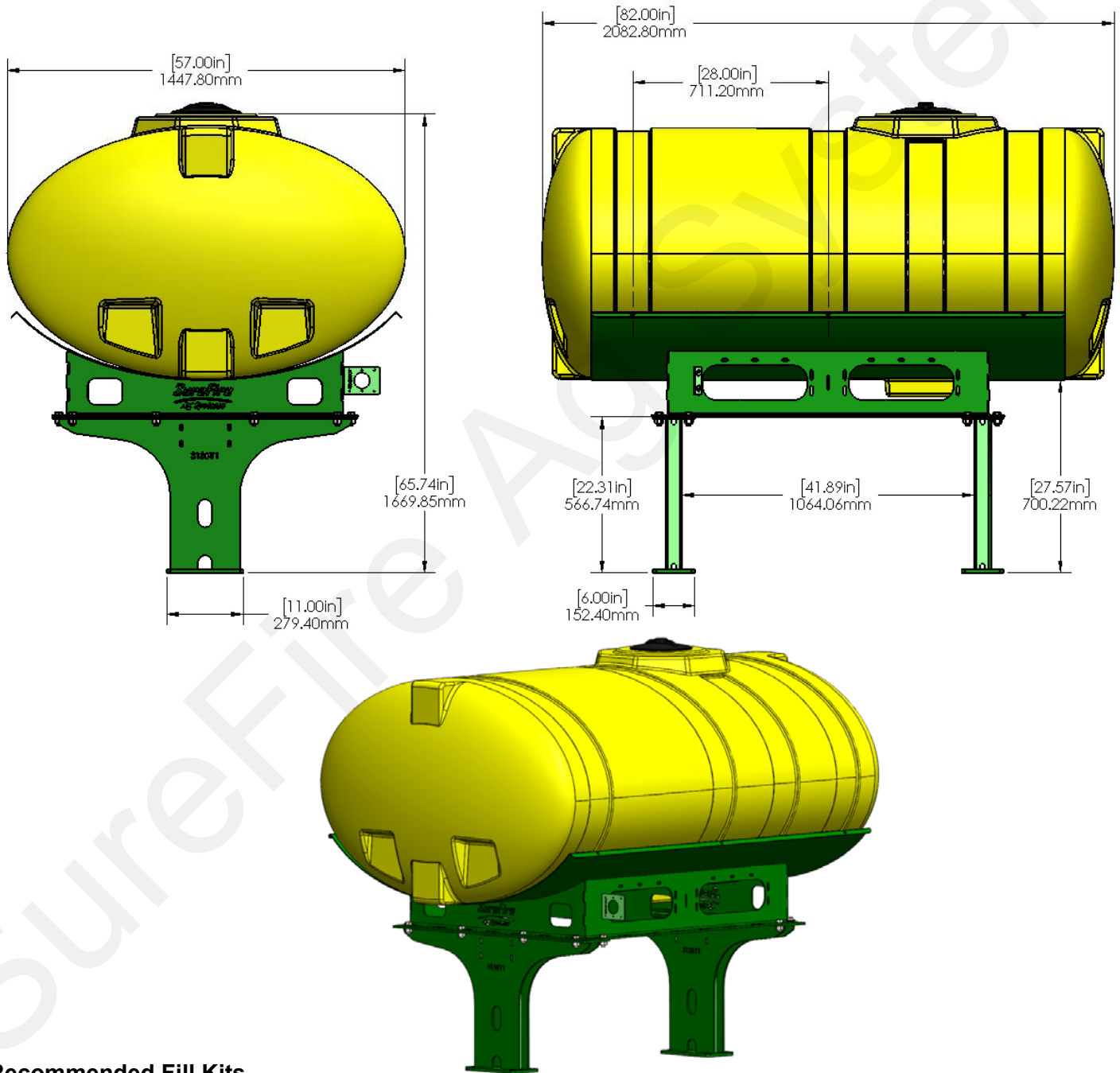
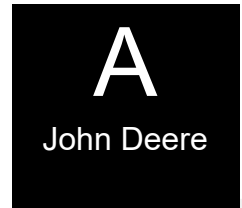


### Recommended Fill Kits

- 520-00-101710 - John Deere Planter Fill Kit (w/o rear hitch)
- 520-00-101720 - John Deere Planter Fill Kit (w/ rear hitch)

# 530-01-350700

## John Deere 1790/1795 40' - 500 Gallon Elliptical Hitch Mount Tank Kit Instruction Sheet: 396-001400



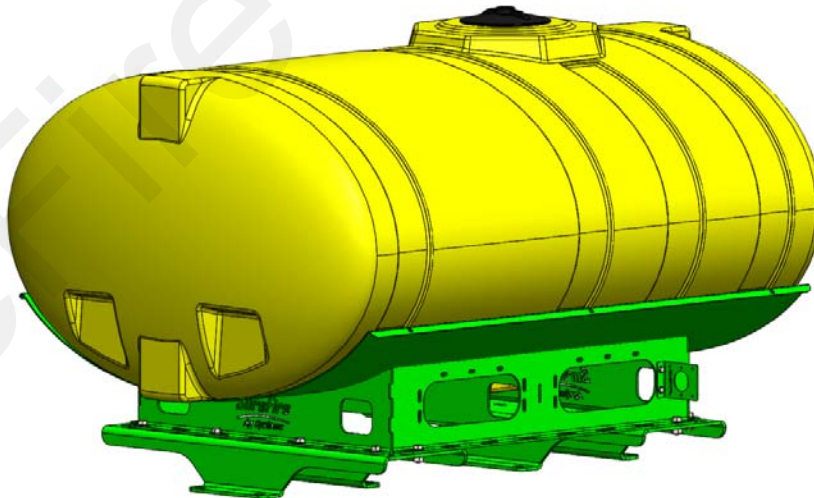
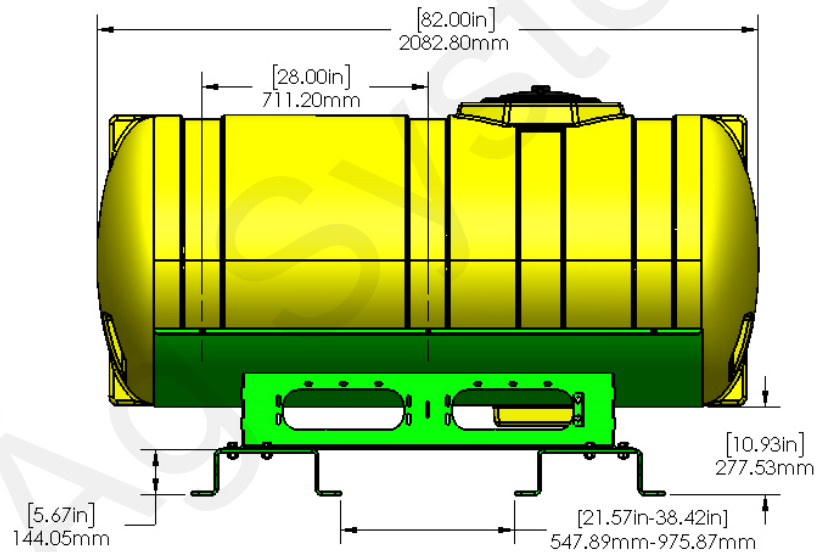
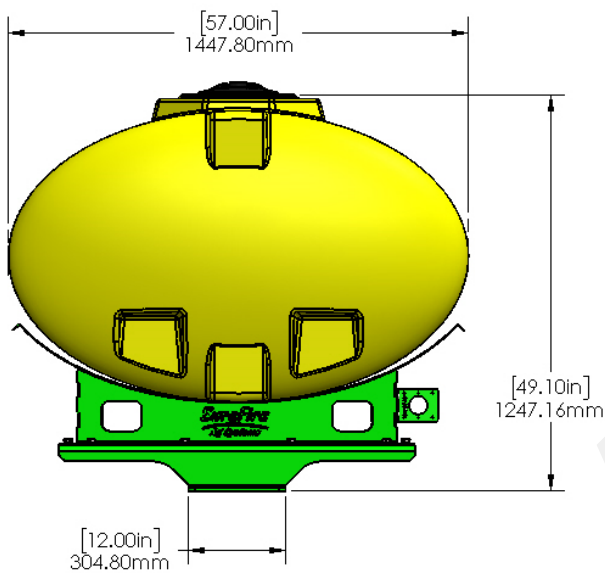
### Recommended Fill Kits

- 520-00-101710 - John Deere Planter Fill Kit (w/o rear hitch)
- 520-00-101720 - John Deere Planter Fill Kit (w/ rear hitch)



# 530-01-450500

## John Deere DB Series - 500 Gallon Elliptical Hitch Mount Tank Kit Instruction Sheet: 396-001580

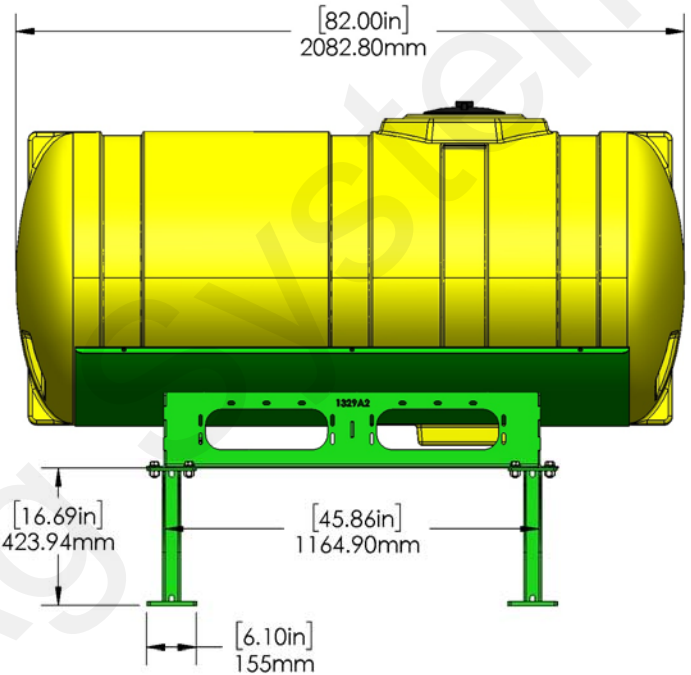
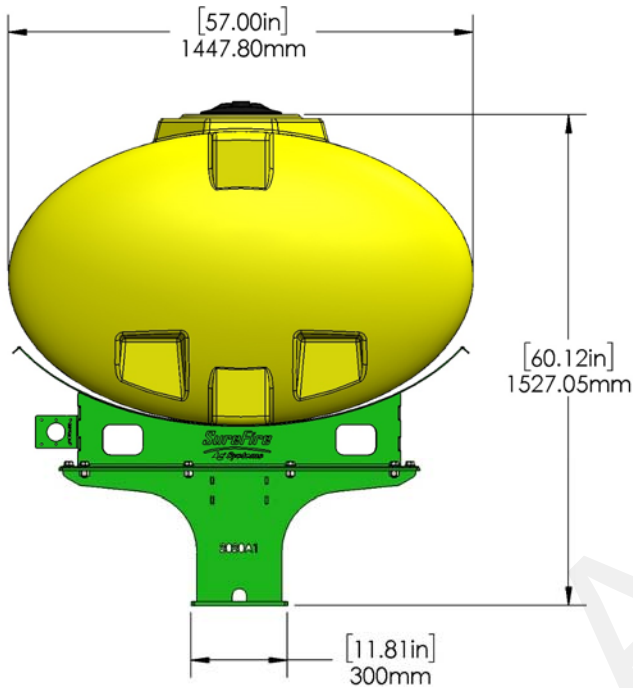


### Recommended Fill Kits

- 520-00-101710 - John Deere Planter Fill Kit (w/o rear hitch)
- 520-00-101720 - John Deere Planter Fill Kit (w/ rear hitch)

# 530-01-450550

## John Deere DB44 (and smaller) - 500 Gallon Elliptical Hitch Mount Tank Kit Instruction Sheet: 396-4100Y1

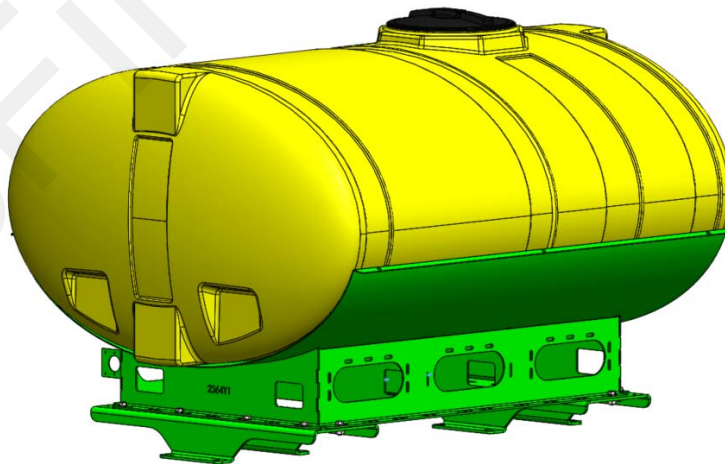
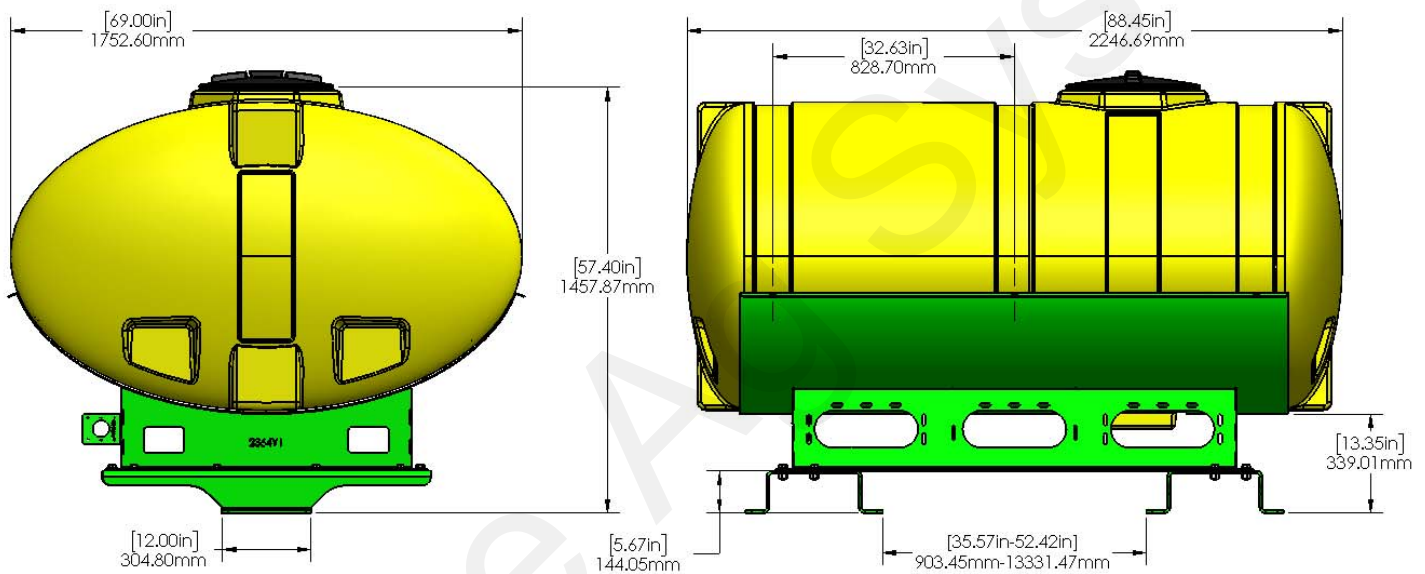
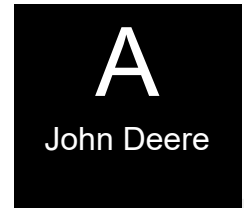


### Recommended Fill Kits

- 520-00-101710 - John Deere Planter Fill Kit (w/o rear hitch)
- 520-00-101720 - John Deere Planter Fill Kit (w/ rear hitch)

# 530-01-450600

## John Deere DB Series - 750 Gallon Elliptical Hitch Mount Tank Kit Instruction Sheet: 396-001790



### Recommended Fill Kits

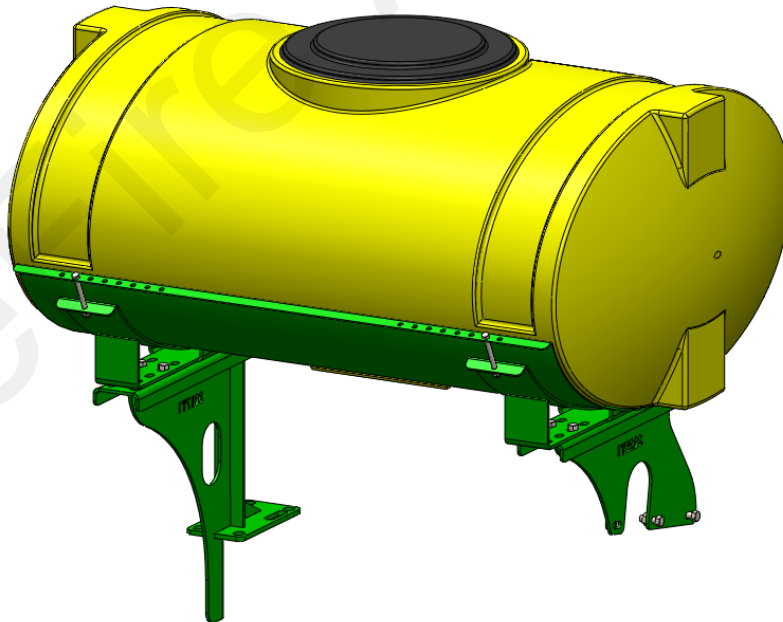
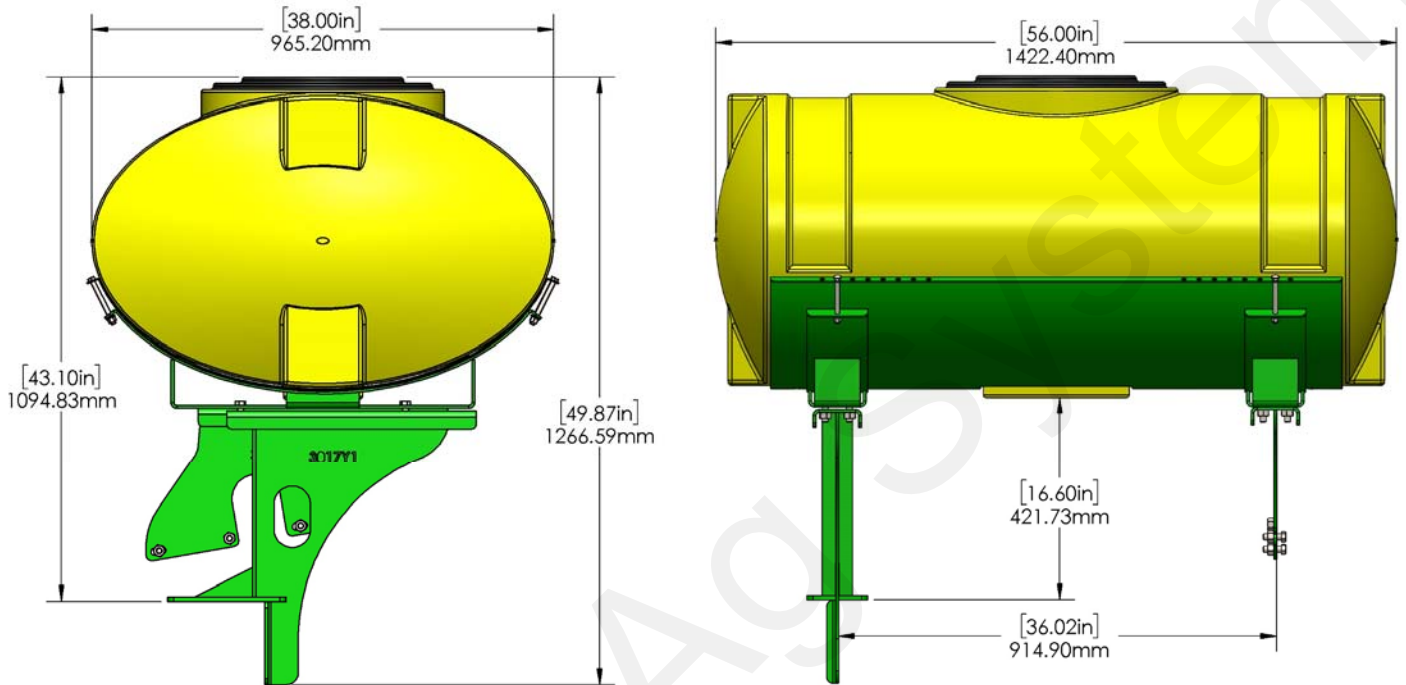
- 520-00-101710 - John Deere Planter Fill Kit (w/o rear hitch)
- 520-00-101720 - John Deere Planter Fill Kit (w/ rear hitch)

# 530-01-550250

## John Deere 1760/1765 12R30 - 150 Gallon Elliptical Wing Mounted Tank Kit Instruction Sheet: 396-3088Y1

# A

John Deere



### Recommended Fill Kits

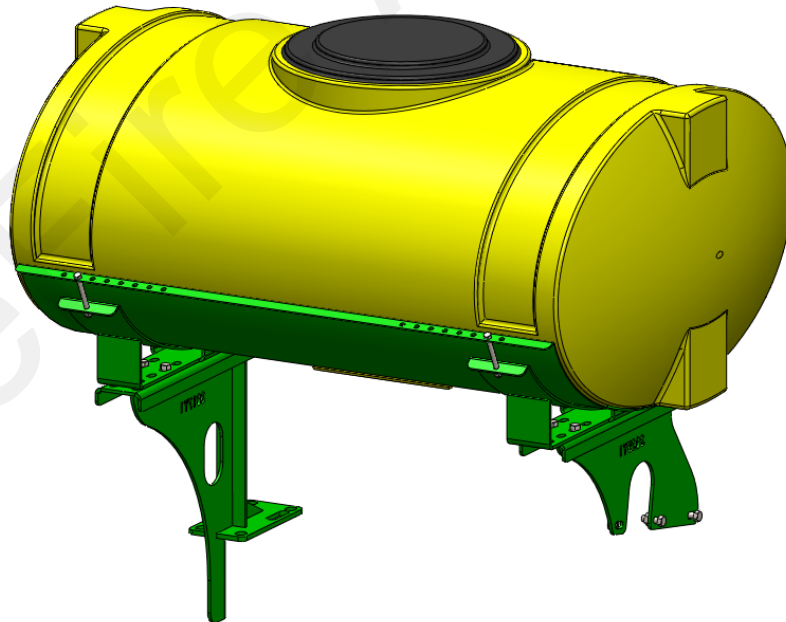
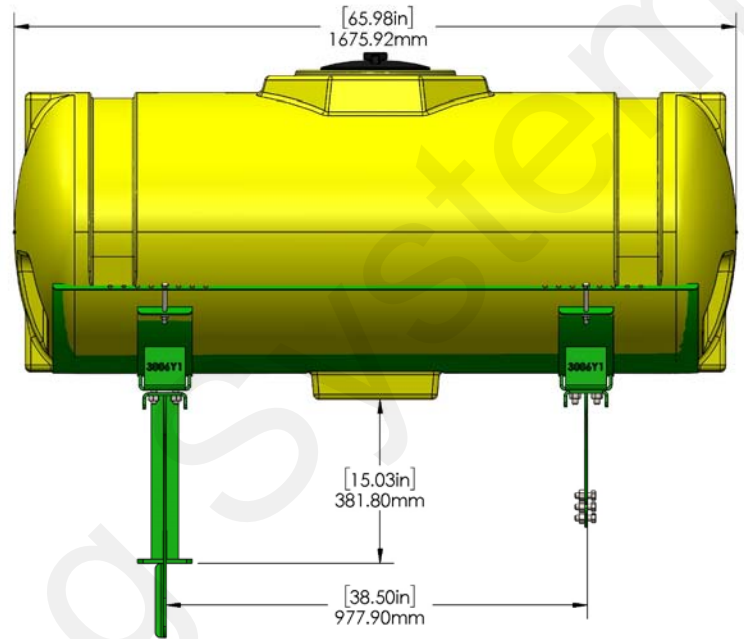
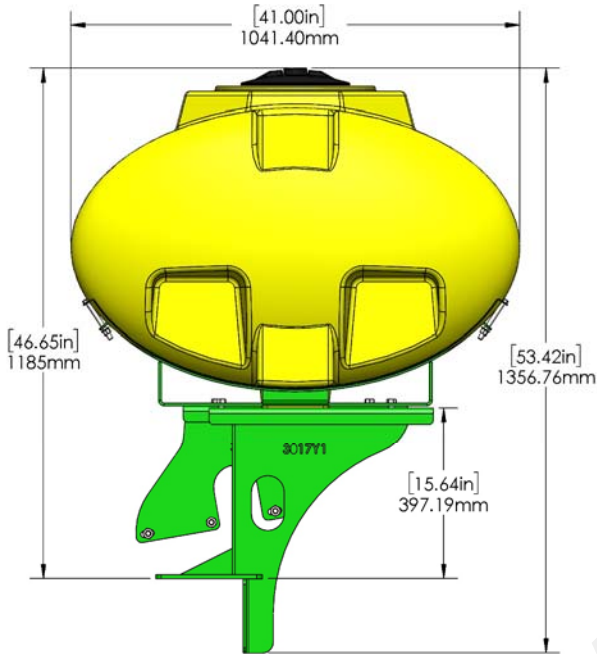
- 520-00-101710 - John Deere Planter Fill Kit (w/o rear hitch)
- 520-00-101720 - John Deere Planter Fill Kit (w/ rear hitch)

# 530-01-550500

## John Deere 1760/1765 12R30 - 200 Gallon Elliptical Wing Mounted Tank Kit Instruction Sheet: 396-3088Y1

# A

John Deere

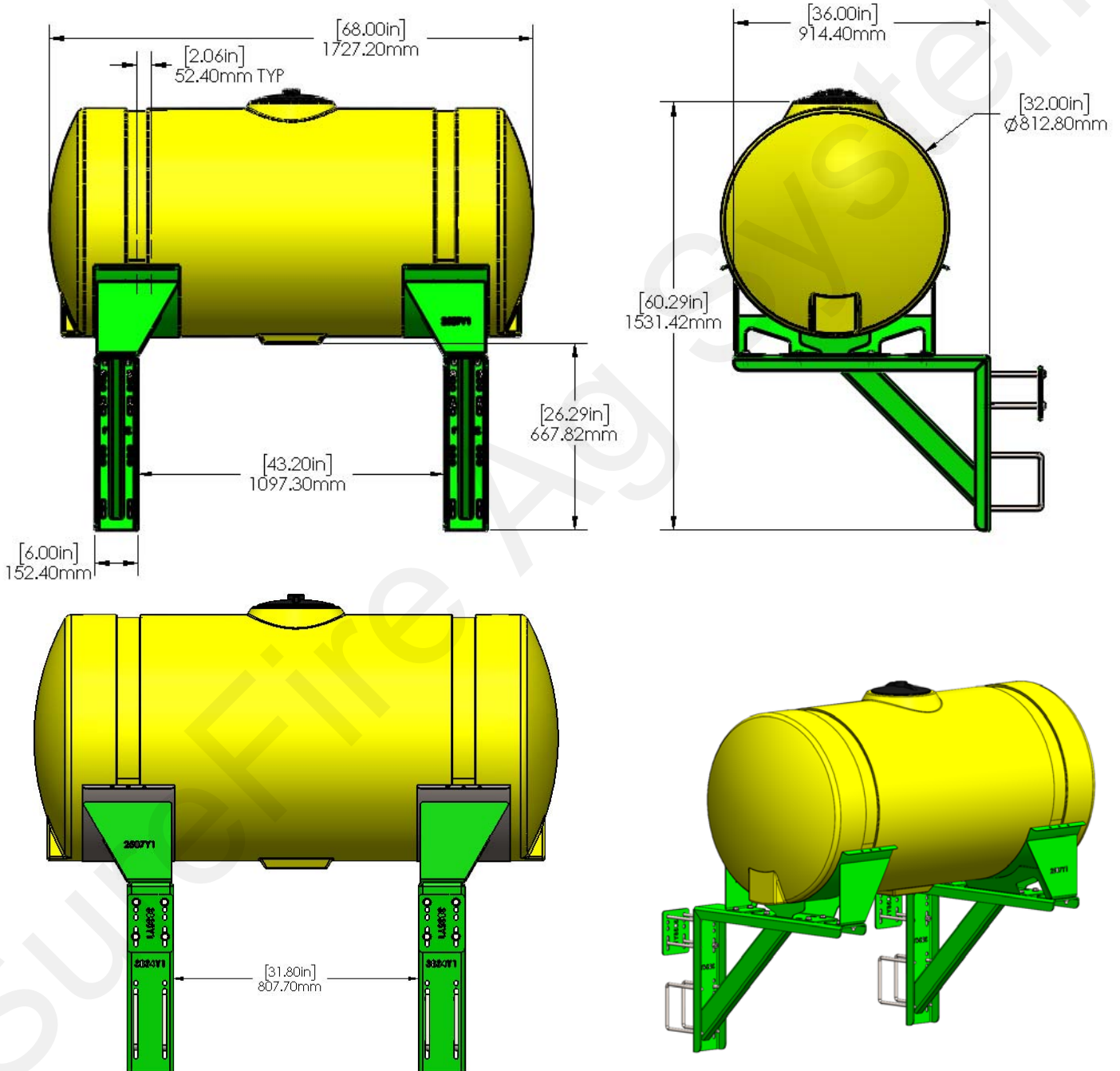
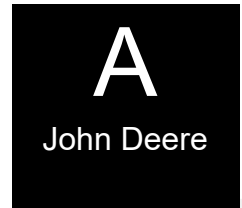


### Recommended Fill Kits

- 520-00-101710 - John Deere Planter Fill Kit (w/o rear hitch)
- 520-00-101720 - John Deere Planter Fill Kit (w/ rear hitch)

# 530-01-550600

## John Deere 1770/1775 24R30 - 200 Gallon Round Wing Mounted Tank Kit Instruction Sheet: N/A

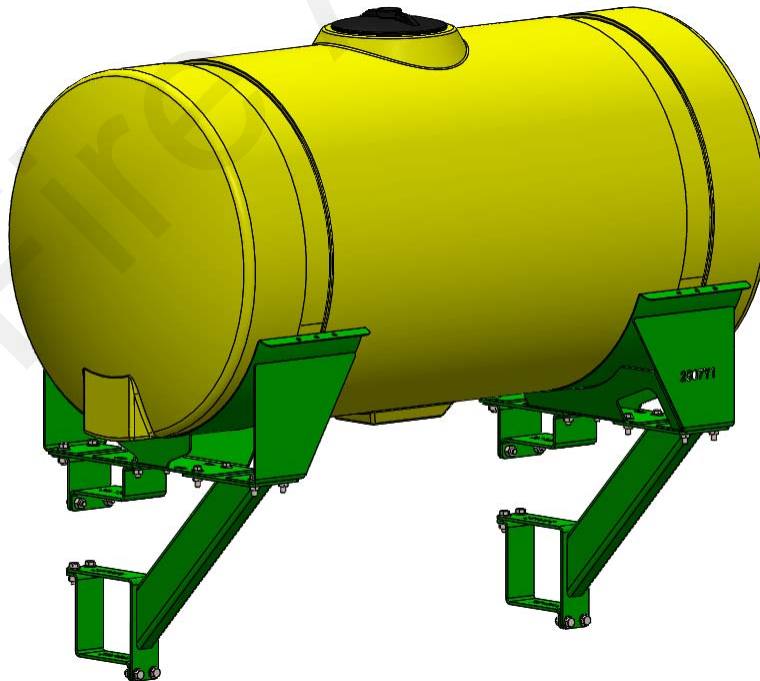
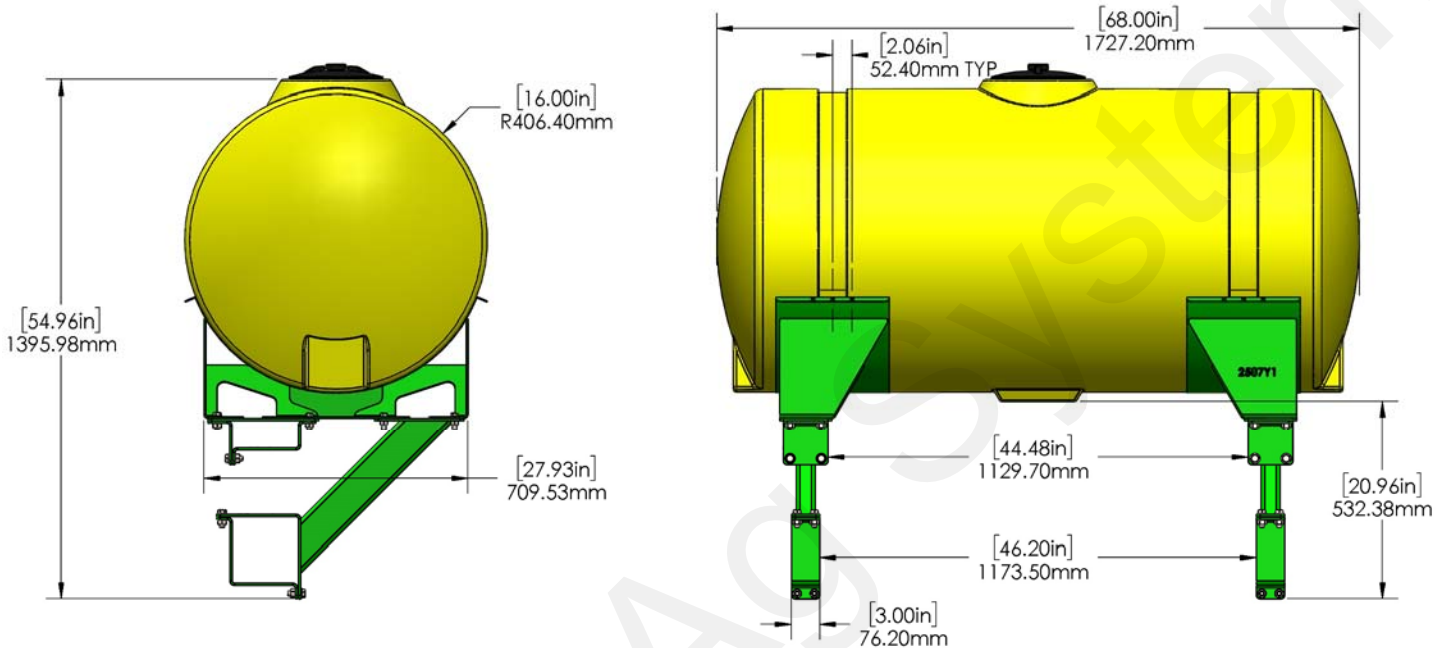


### Recommended Fill Kits

- 520-00-1015 - 2" Flange Fill kit w/ 1-1/2" Hose
- 520-00-2010 - Two Tank Fill Kit

# 530-01-550650

## John Deere 1770/1775 24R30 - 200 Gallon Round Wing Mounted Tank Kit (No Markers) Instruction Sheet: 396-001850

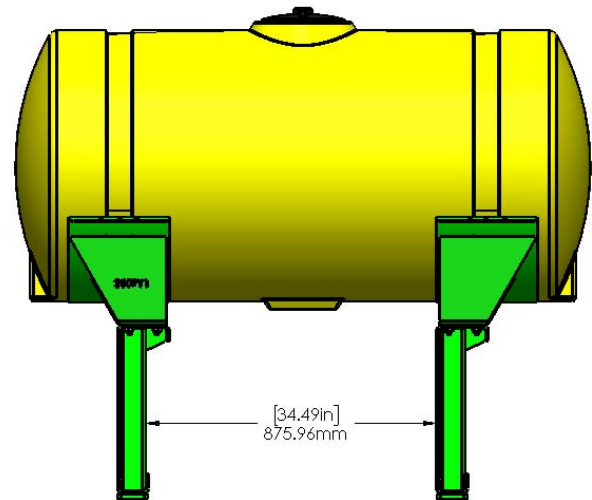
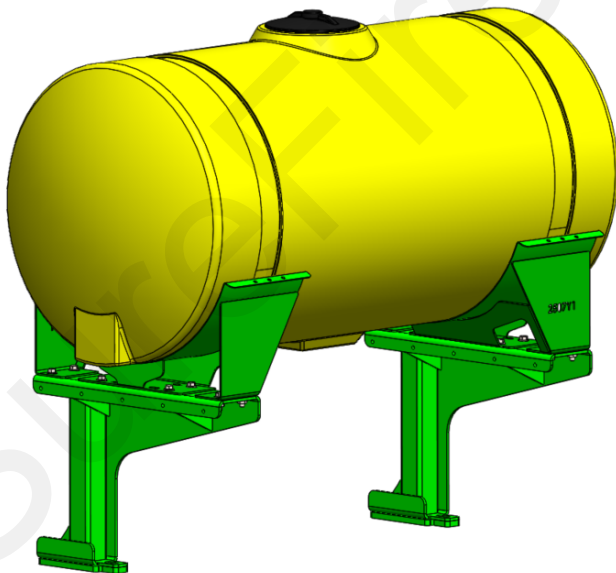
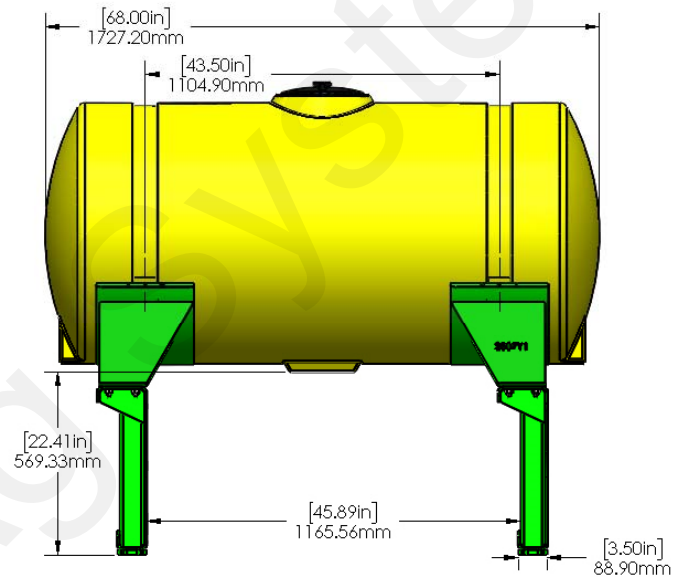
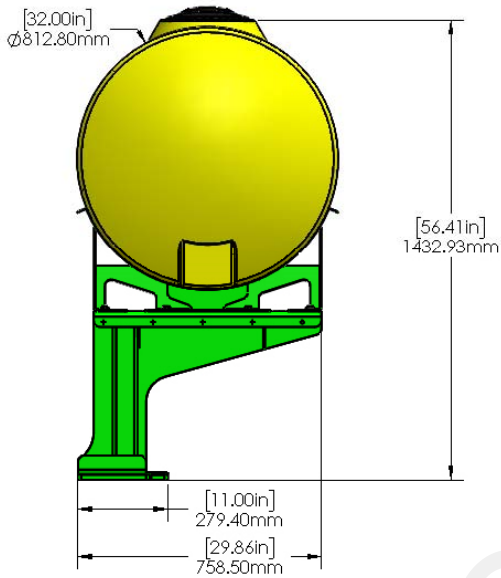
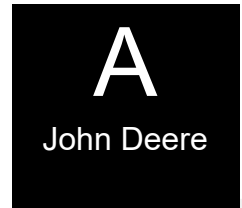


### Recommended Fill Kits

- 520-00-1015 - 2" Flange Fill kit w/ 1-1/2" Hose
- 520-00-2010 - Two Tank Fill Kit

# 530-01-550750

## John Deere 1770/1775 16R30 - 200 Gallon Round Wing Mounted Tank Kit Instruction Sheet: 396-001840



### Recommended Fill Kits

- 520-00-1015 - 2" Flange Fill kit w/ 1-1/2" Hose
- 520-00-2010 - Two Tank Fill Kit

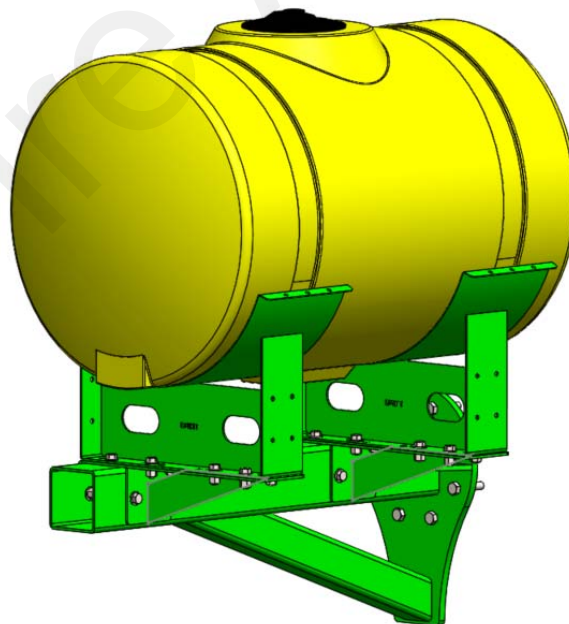
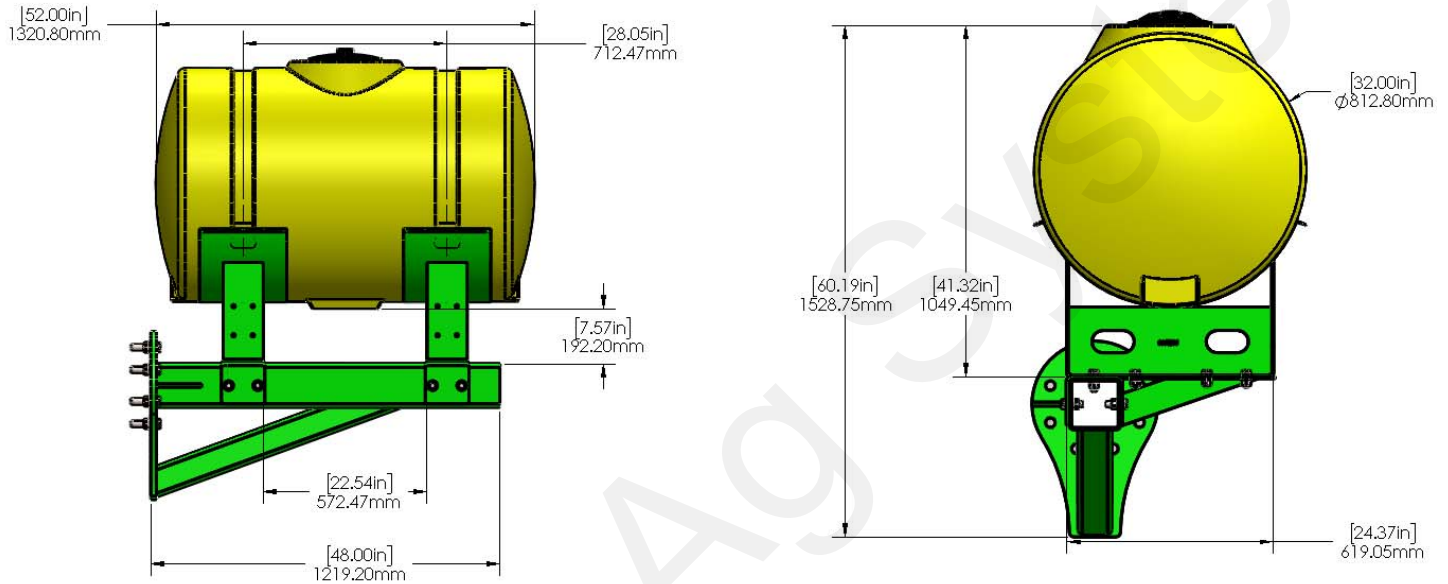


# 530-01-650500

## John Deere 1720/1725 CCS

### 150 Gallon Tank Mount Kit

#### Instruction Sheet: 396-001810



#### Recommended Fill Kits

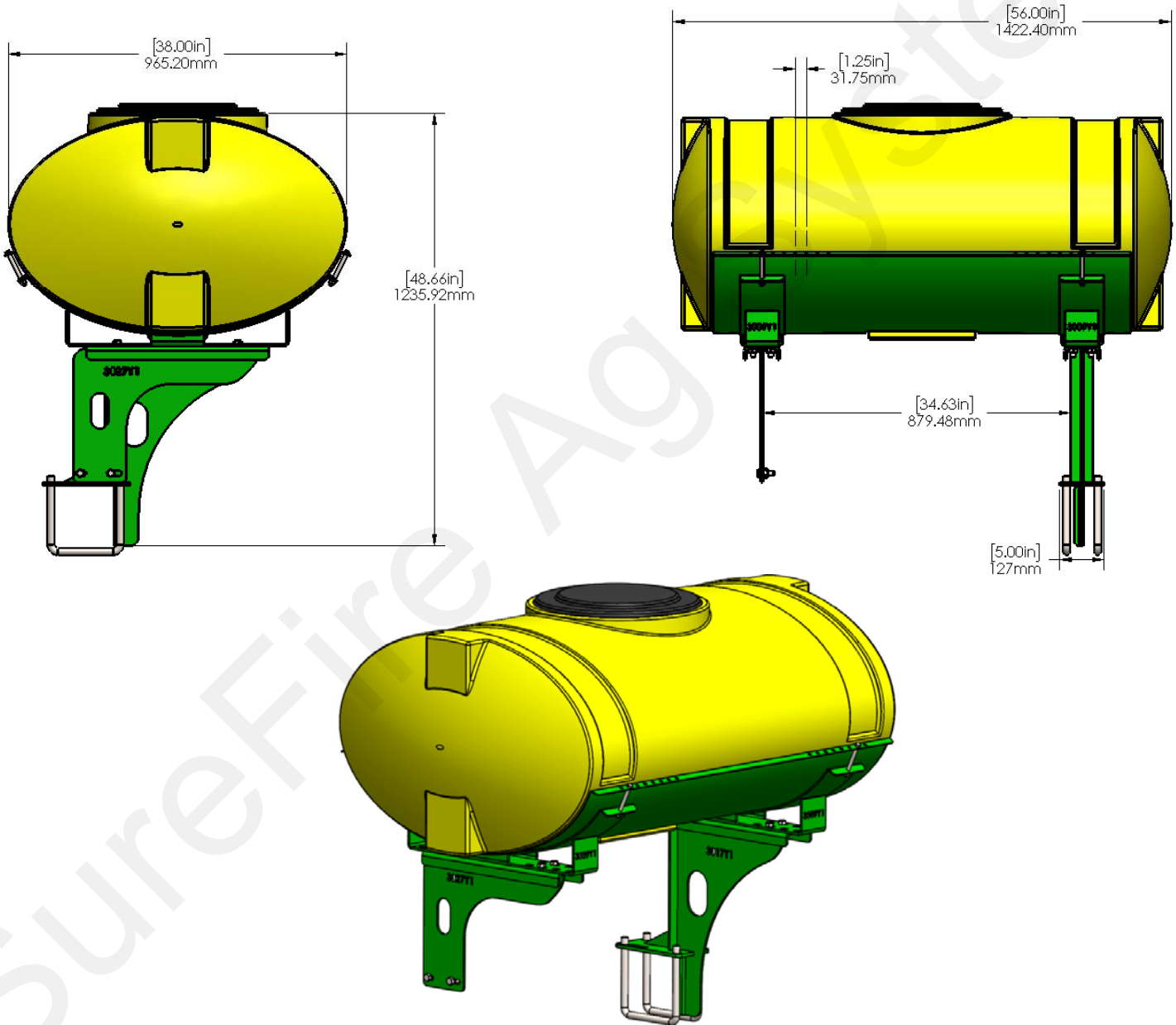
- 520-00-1015 - 2" Flange Fill kit w/ 1-1/2" Hose
- 520-00-2010 - Two Tank Fill Kit

# 530-01-700500

## John Deere 1780

### 150 Gallon Elliptical Tank Kit

#### Instruction Sheet:



#### Recommended Fill Kits

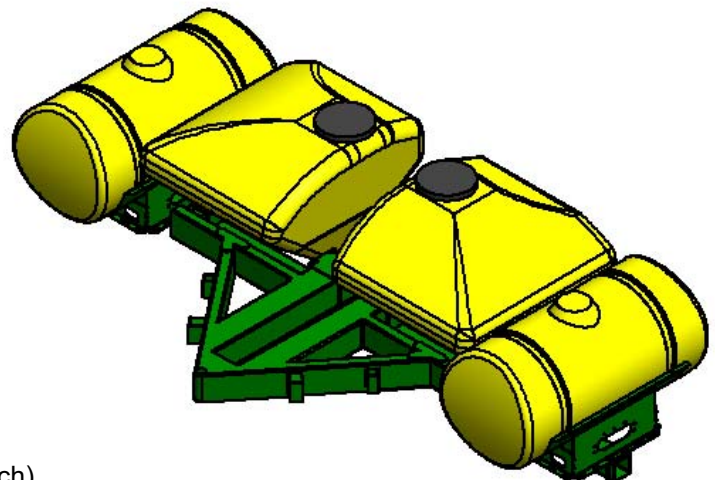
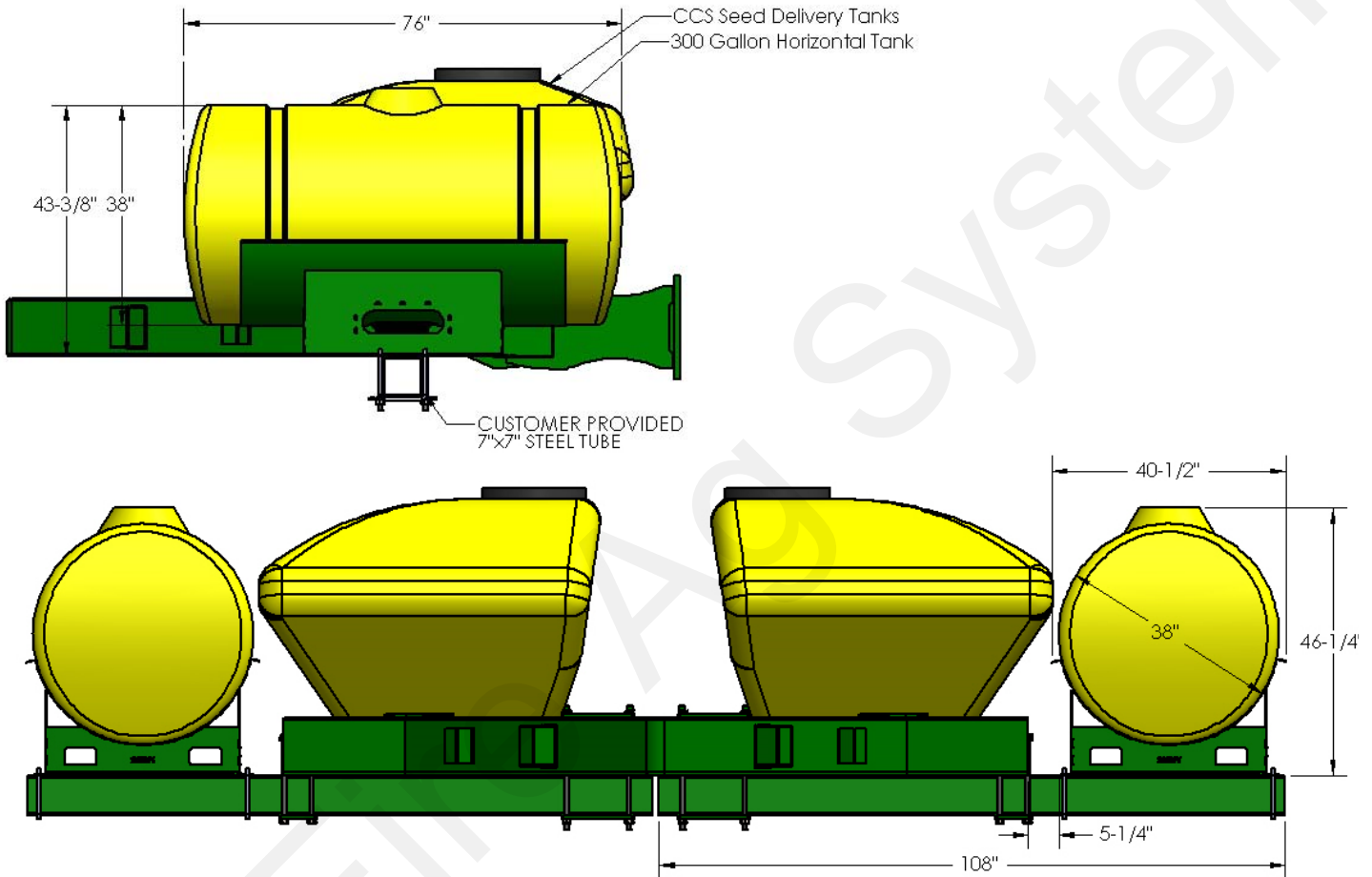
- 520-00-1015 - 2" Flange Fill kit w/ 1-1/2" Hose
- 520-00-2010 - Two Tank Fill Kit

# 530-01-750500

## John Deere DR24 - Dual 300 Gallon Round Tank Kit

(Customer Provided 7x7 Mounting Tube)

Instruction Sheet: 396-2979Y1



### Recommended Fill Kits

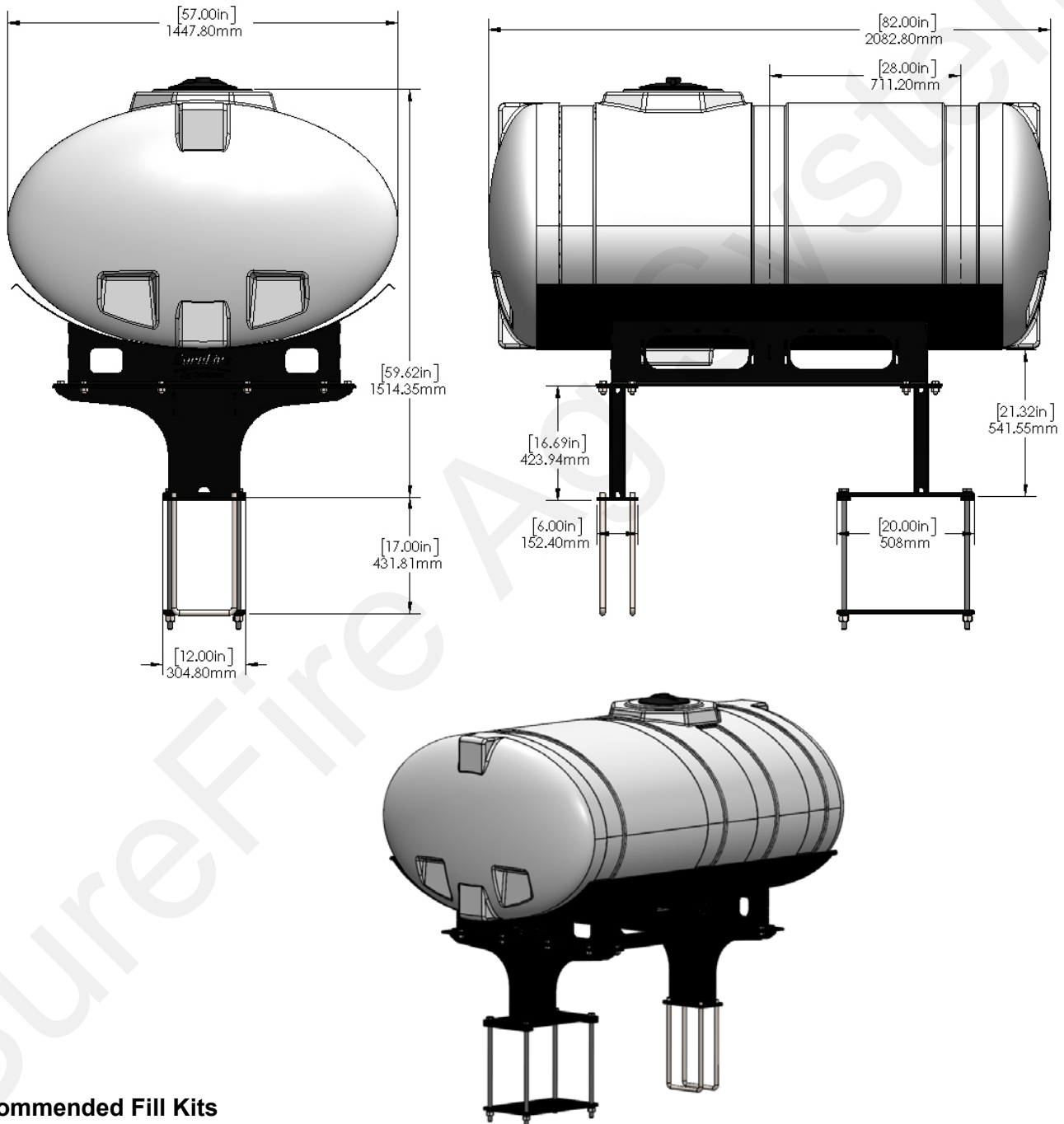
- 520-00-101710 - John Deere Planter Fill Kit (w/o rear hitch)
- 520-00-101720 - John Deere Planter Fill Kit (w/ rear hitch)

# 530-02-150500

## Case iH 1250/1255 24R30 - 500 Gallon Elliptical Hitch Mount Tank Kit Instruction Sheet: 396-3095Y1

B

Case iH



### Recommended Fill Kits

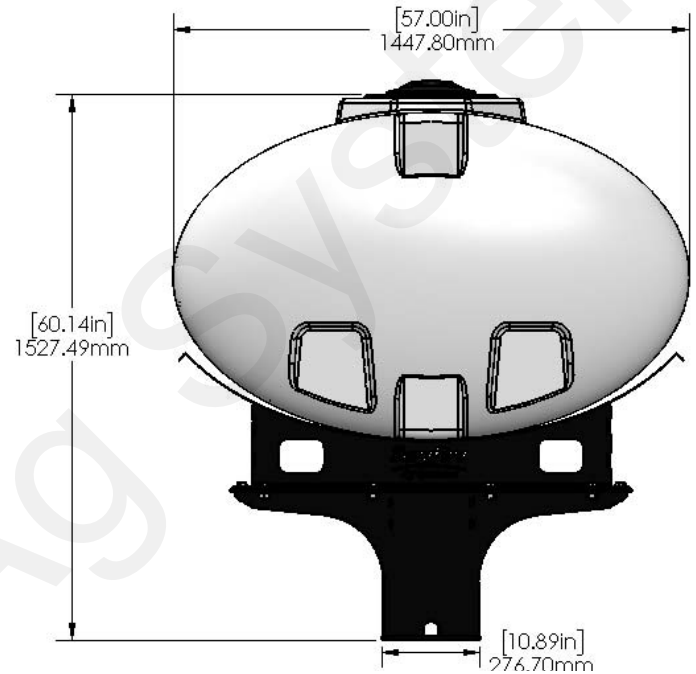
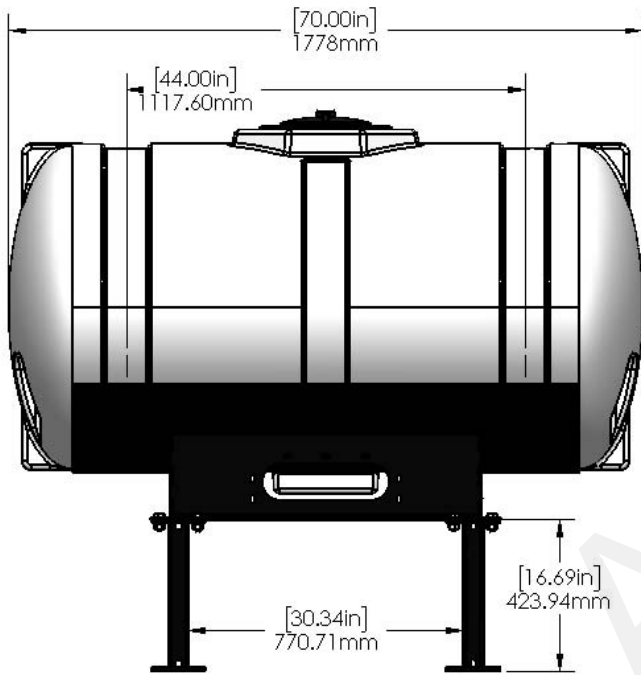
- 520-00-1016 - 2" Flange Fill Kit w/ 2" Hose 300+
- 520-00-1020 - 2 Tank Fill Kit w/ 1-1/2" Hose
- 520-00-200100 - Case 2150 Fill Kit

# 530-02-150750

## Case iH 1250/1255 24R30 - 400 Gallon Elliptical Hitch Mount Tank Kit Instruction Sheet: 396-001700

**B**

Case iH

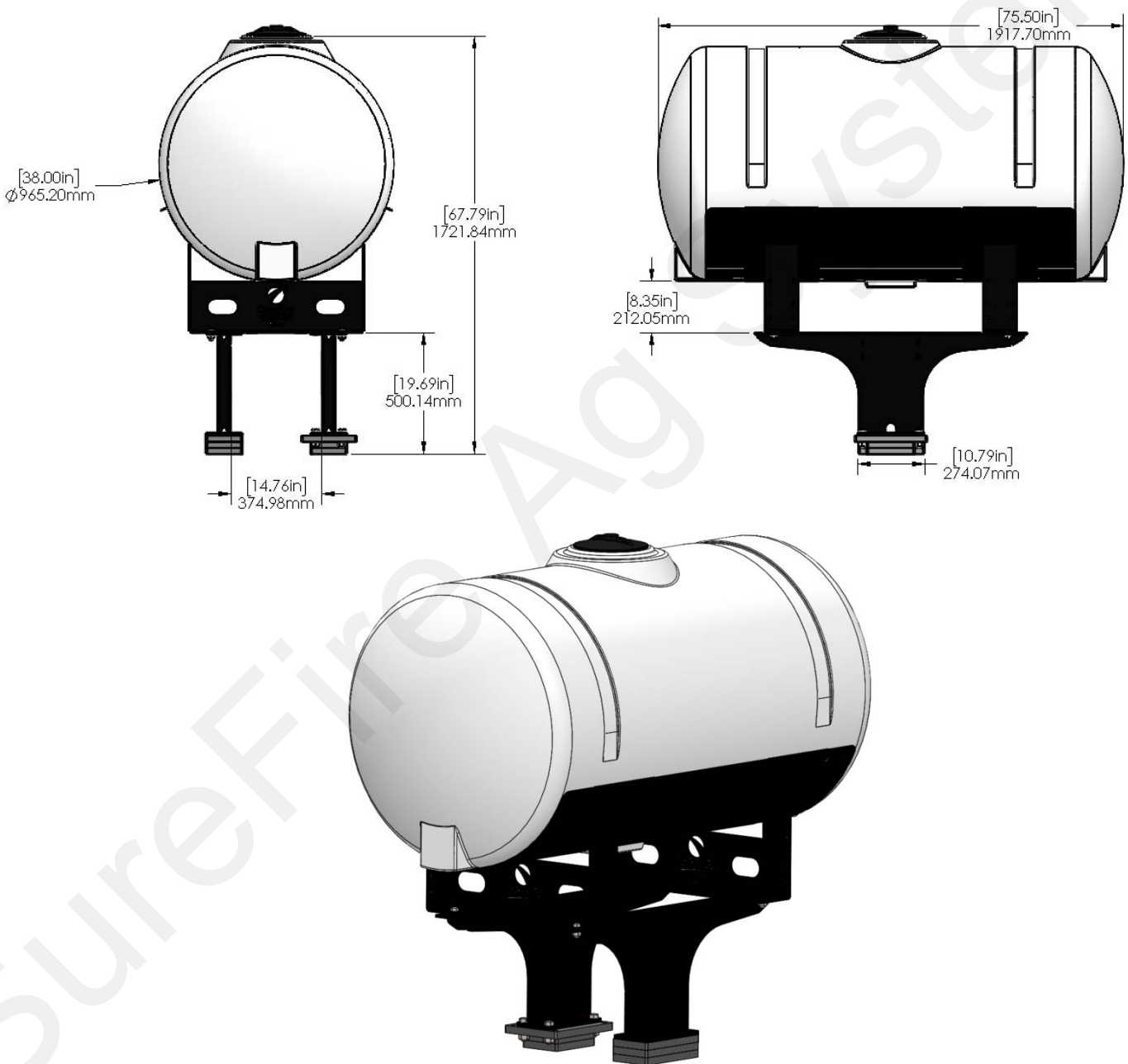


### Recommended Fill Kits

- 520-00-1016 - 2" Flange Fill Kit w/ 2" Hose

# 530-02-250500

## Case iH 1250/1255 - 300 Gallon Round Hitch Mount Tank Kit (12R/16R Bulk Fill) Instruction Sheet: 396-001340



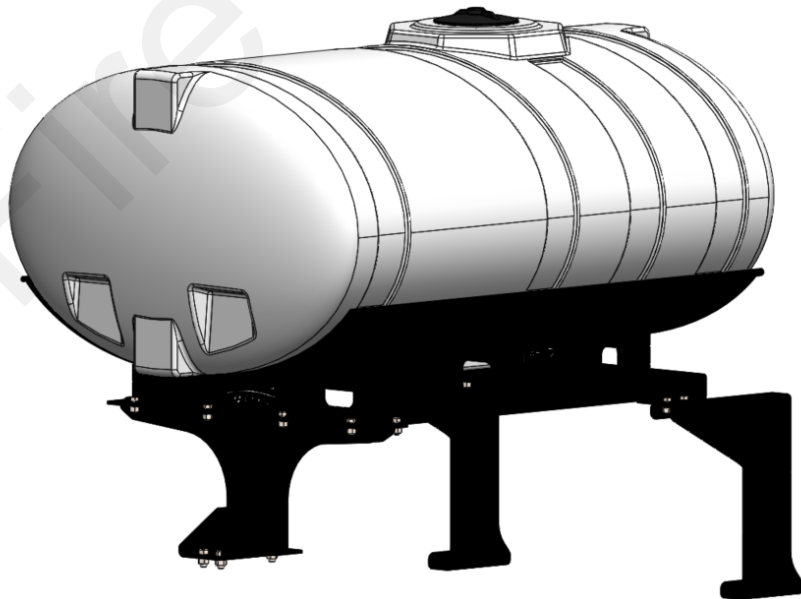
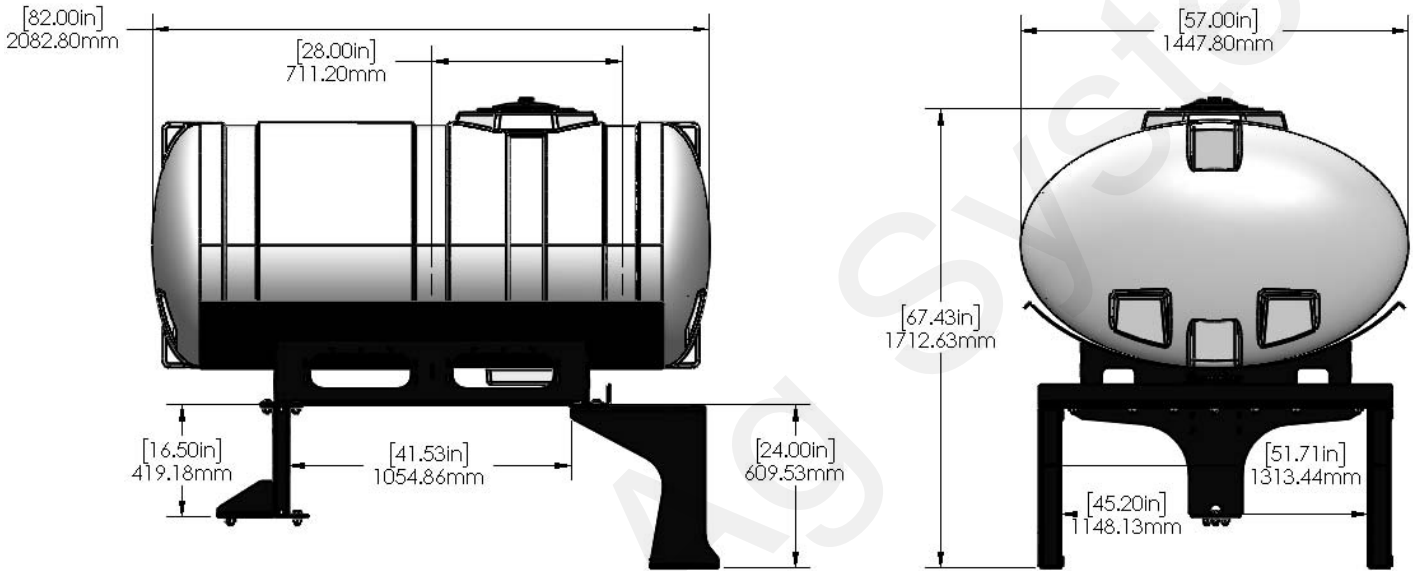
### Recommended Fill Kits

- 520-00-1016 - 2" Flange Fill Kit w/ 2" Hose

# 530-02-250550

## Case IH 1250/1255 - 500 Gallon Elliptical Tank Kit Rear Hitch Mount Tank Kit (12R30/16R30 Non-Bulk Fill)

Instruction Sheet: 396-001340



### Recommended Fill Kits

- 520-00-1016 - 2" Flange Fill Kit w/ 2" Hose



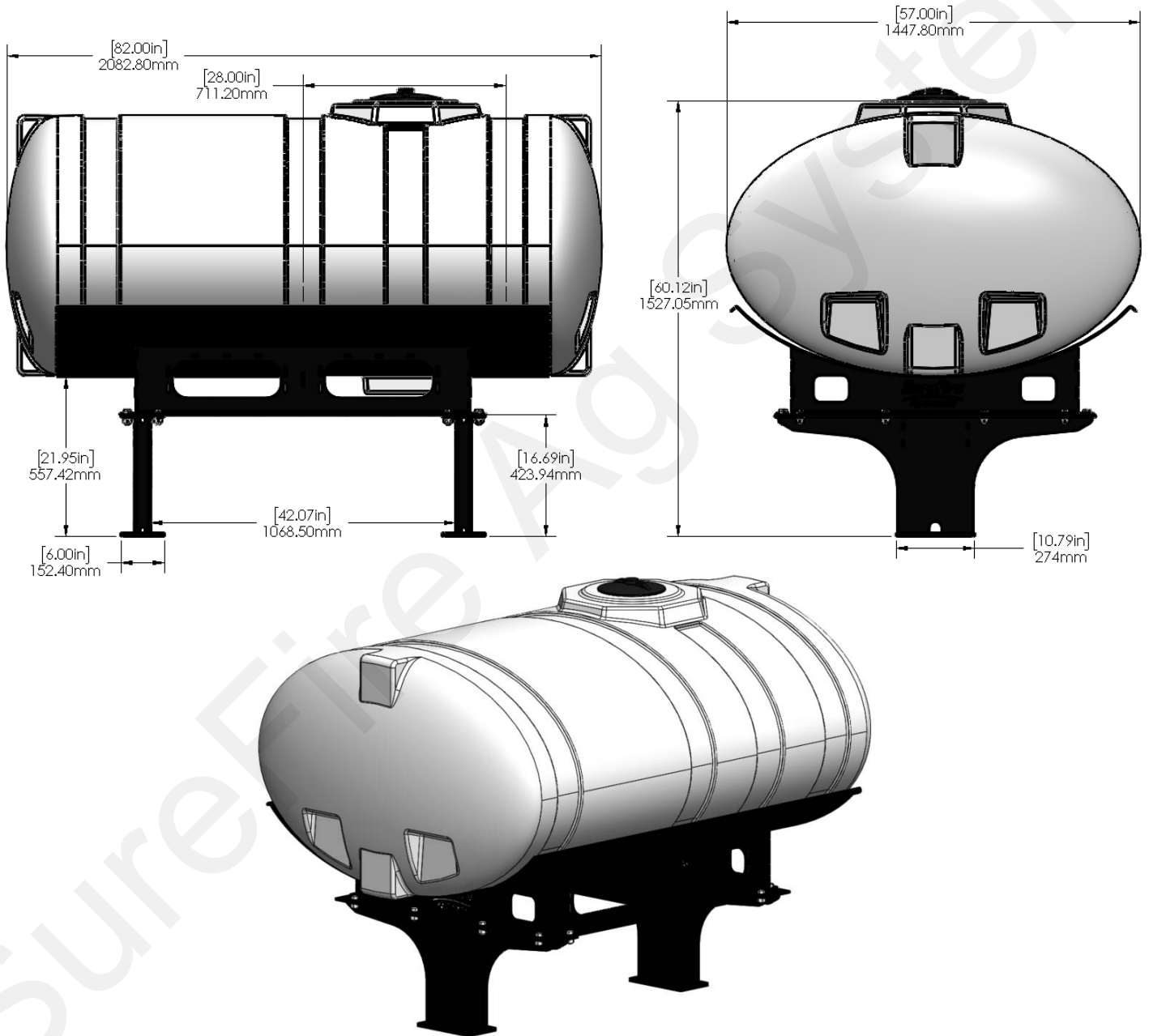
# 530-02-250600

## Case IH 1250/1255 - 500 Gallon Elliptical Tank Kit Forward Hitch Mount Tank Kit (12R/16R Non-Bulk Fill)

Instruction Sheet: 396-001340

**B**

Case IH



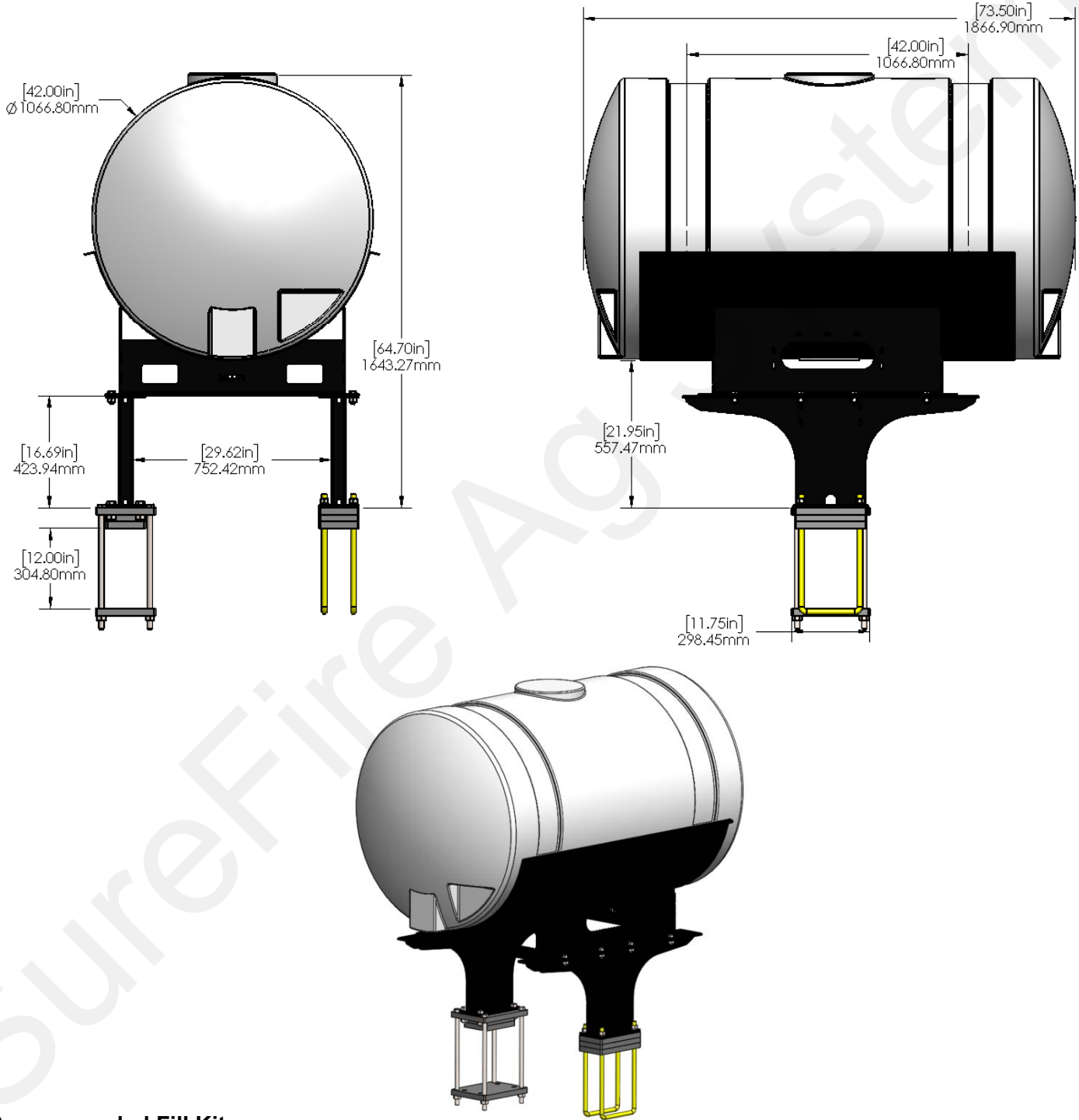
### Recommended Fill Kits

- 520-00-1016 - 2" Flange Fill Kit w/ 2" Hose



# 530-02-250650

## Case IH 1250/1255 - 400 Gallon Elliptical Hitch Mount Tank Kit (16R30 Bulk Fill) Instruction Sheet: 396-2652Y1



### Recommended Fill Kits

- 520-00-1016 - 2" Flange Fill Kit w/ 2" Hose

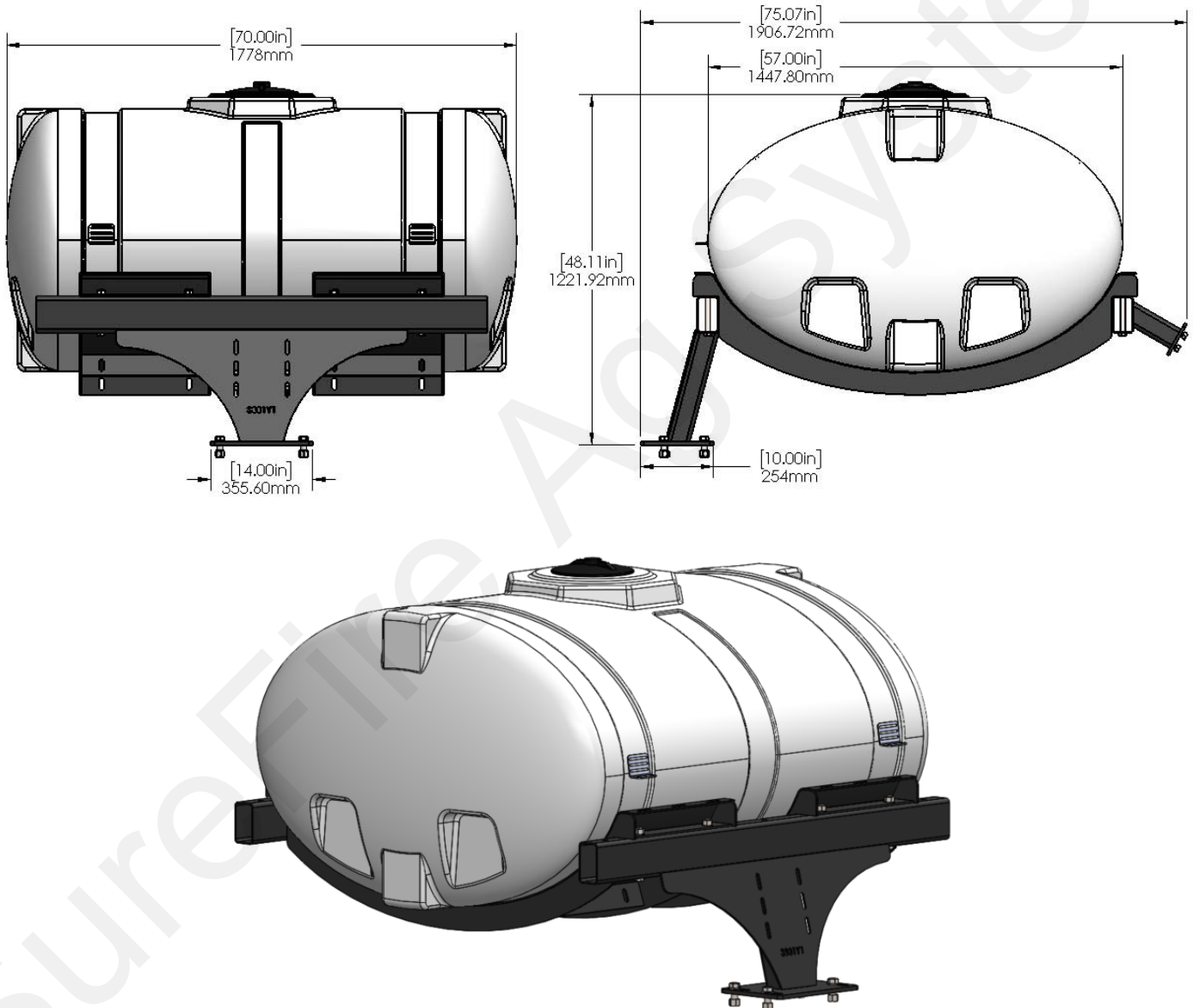
# 530-02-400400

## Case iH 2150 - 400 Gallon Elliptical Tank Kit (16R30/24R30 Bulk Fill)

Instruction Sheet: 396-3848Y1

**B**

Case iH



### Recommended Fill Kits

- 520-00-200100 - Case 2150 Fill Kit

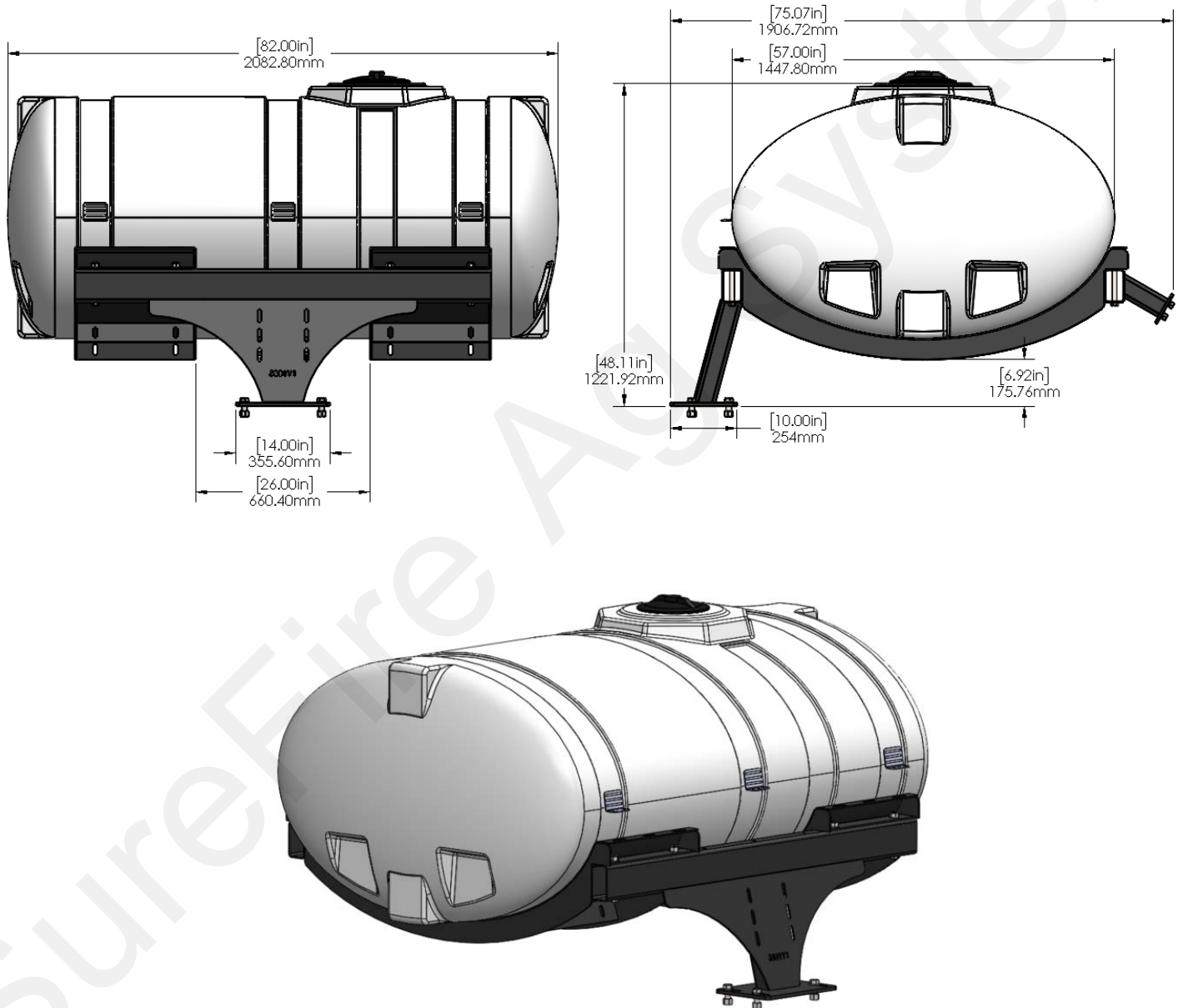
# 530-02-400500

## Case iH 2150 - 500 Gallon Elliptical Tank Kit (16R30/24R30 Bulk Fill)

Instruction Sheet: 396-3848Y1

**B**

Case iH



### Recommended Fill Kits

- 520-00-200100 - Case 2150 Fill Kit

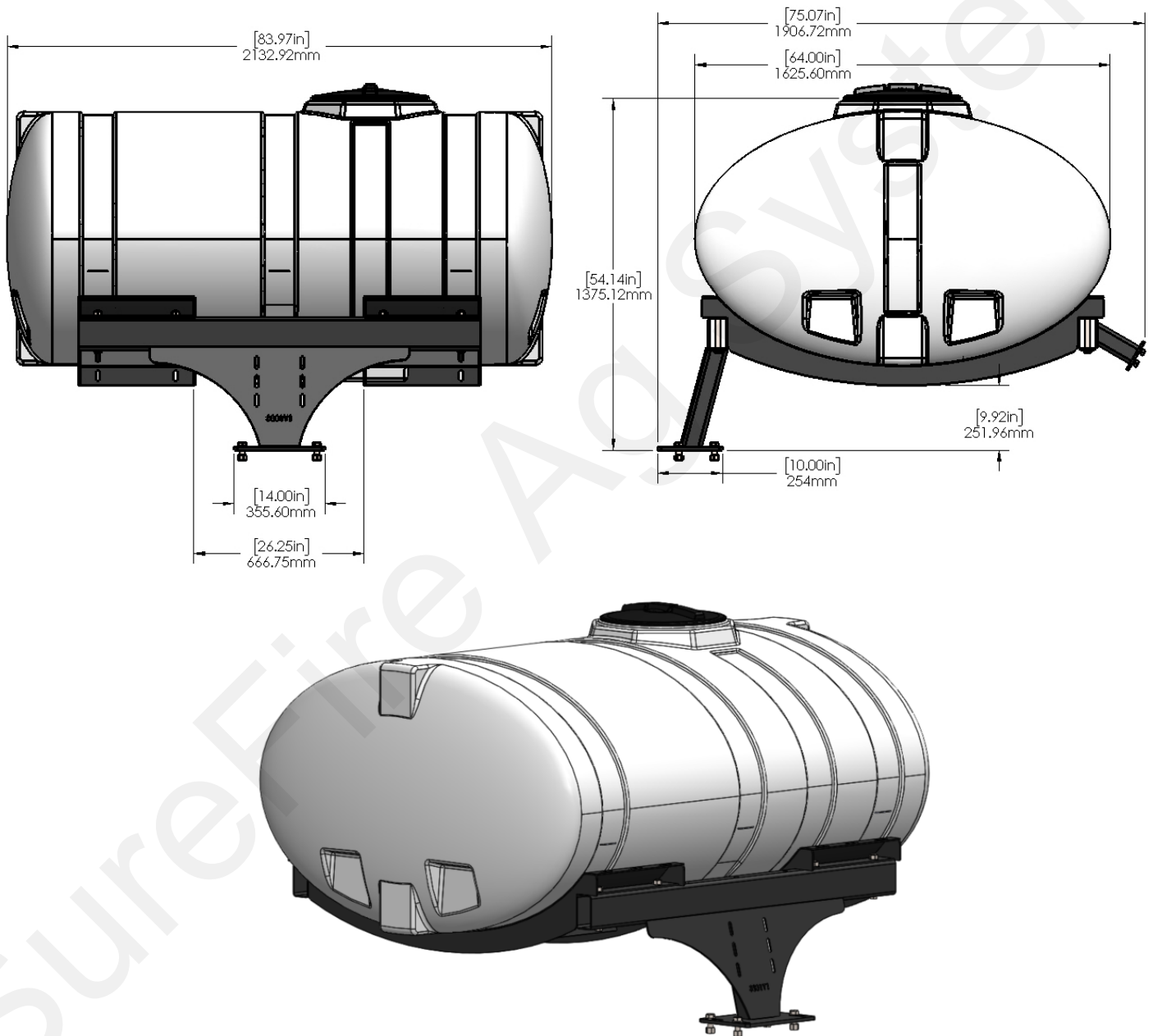
# 530-02-400600

## Case iH 2150 - 600 Gallon Elliptical Tank Kit (16R30/24R30 Bulk Fill)

Instruction Sheet: 396-3848Y1

**B**

Case iH

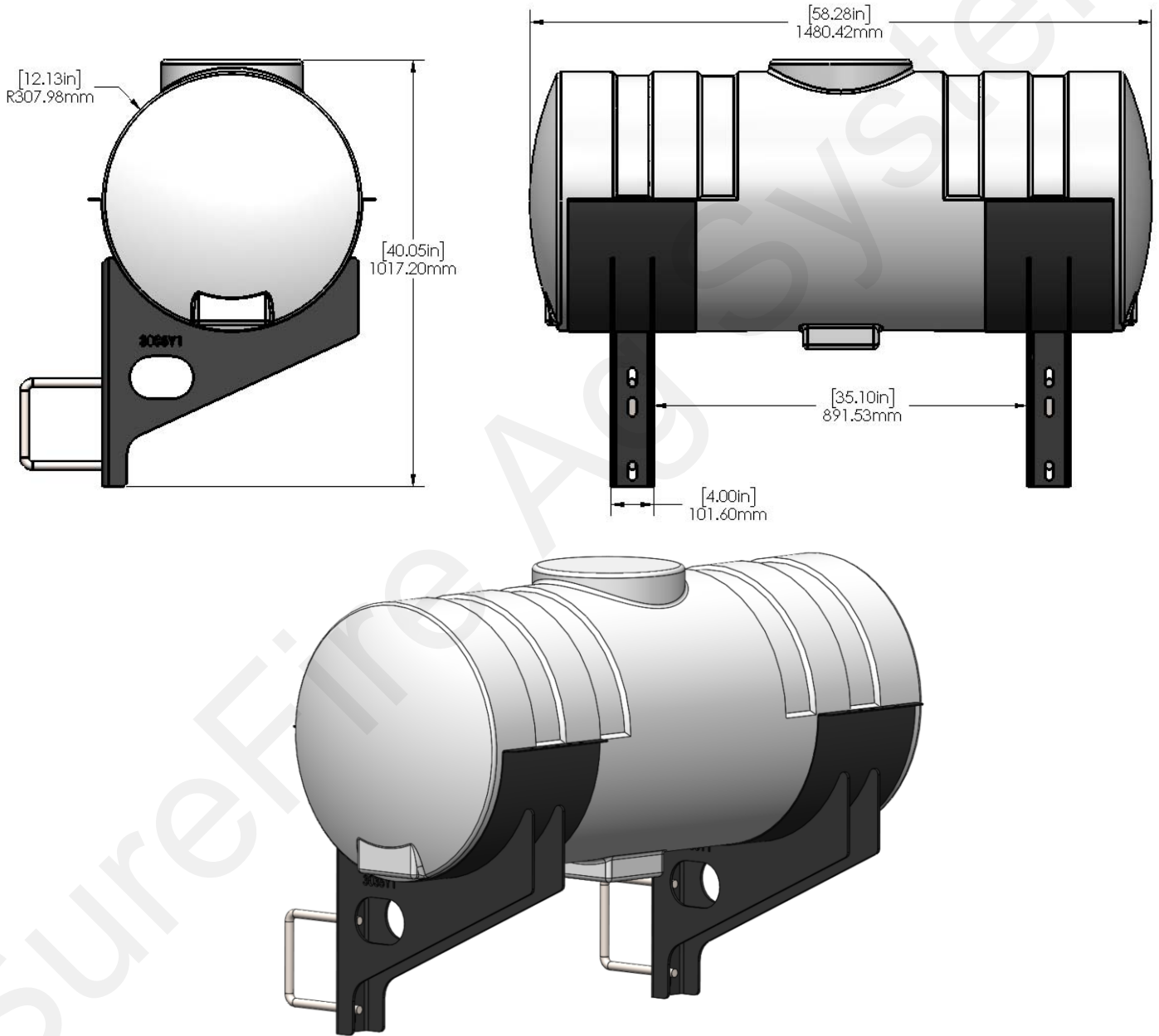


### Recommended Fill Kits

- 520-00-200100 - Case 2150 Fill Kit

# 530-03-025100

## Kinze Non-Interplant (All Models) 100 Gallon Round Tank Kit Instruction Sheet: 396-3090Y1

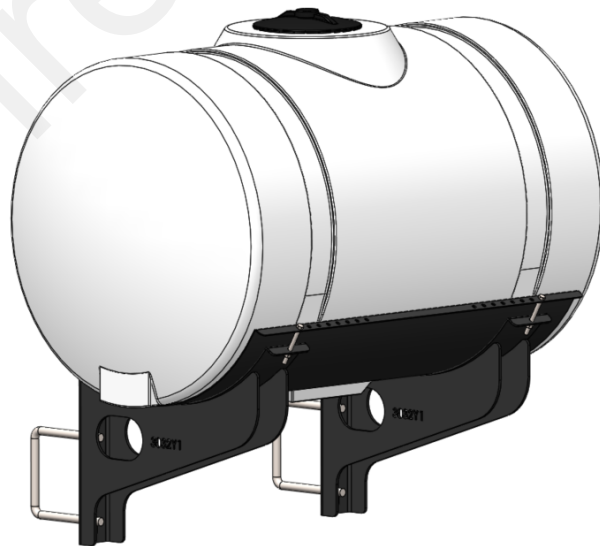
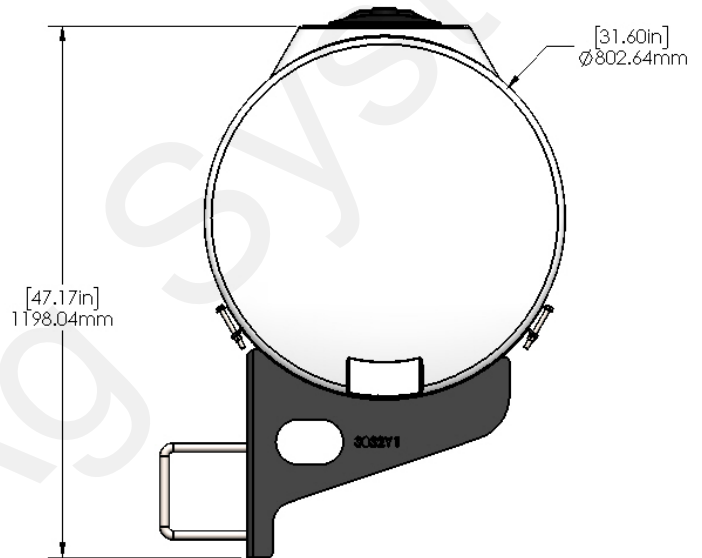
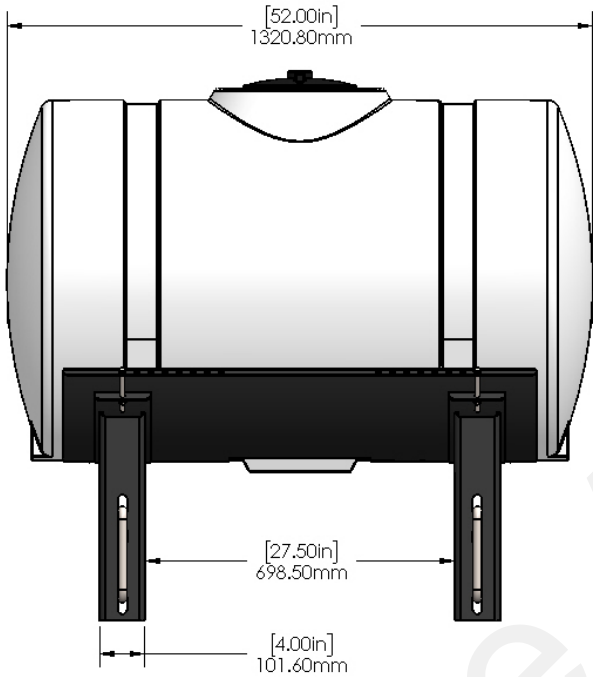


### Recommended Fill Kits

- 520-00-1015 - 2" Flange Fill kit w/ 1-1/2" Hose
- 520-00-1020 - 2 Tank Fill Kit w/ 1-1/2" Hose

# 530-03-025150

## Kinze Non-Interplant (All Models) 150 Gallon Round Tank Kit Instruction Sheet: 396-3090Y1

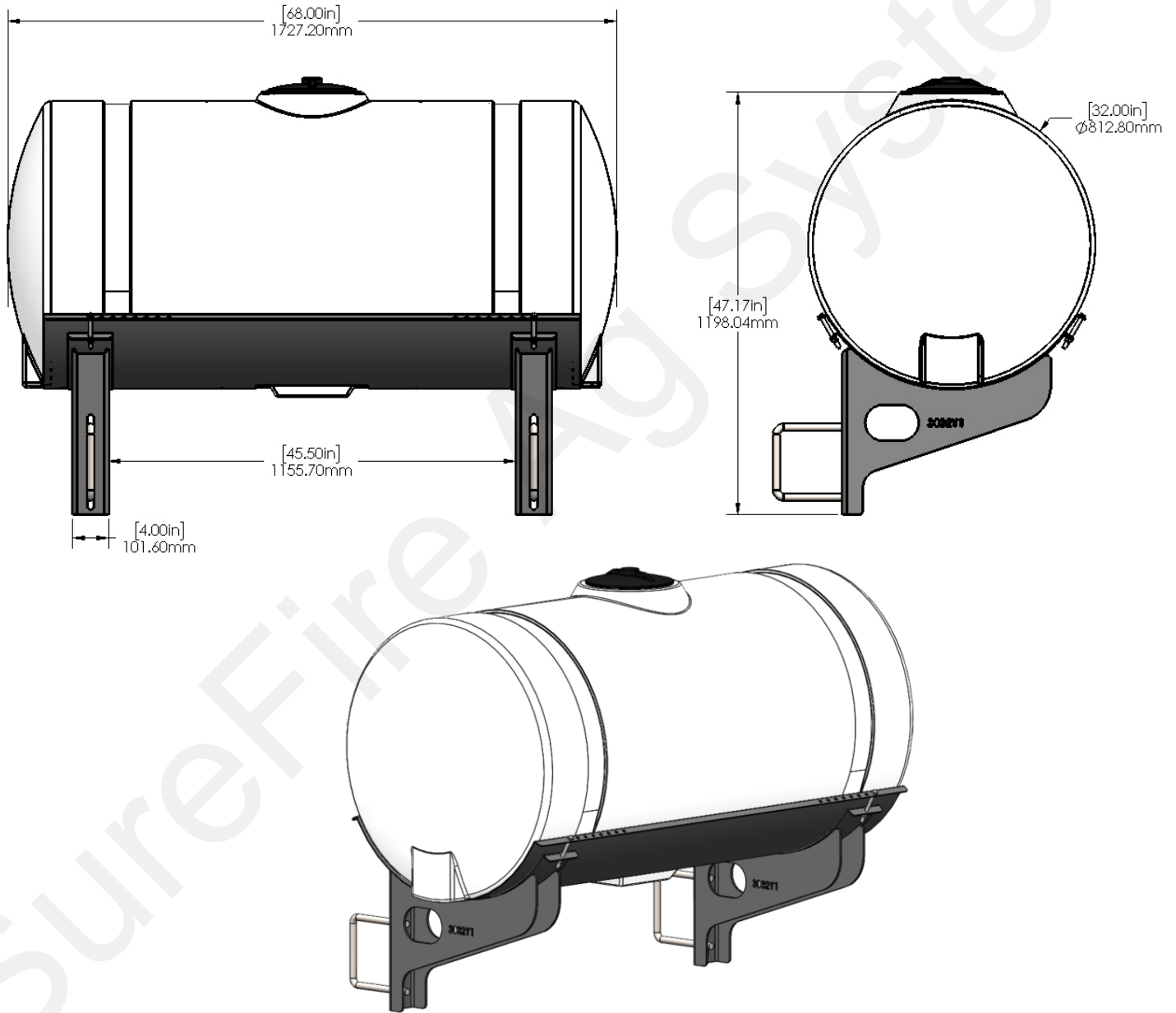


### Recommended Fill Kits

- 520-00-1015 - 2" Flange Fill kit w/ 1-1/2" Hose
- 520-00-1020 - 2 Tank Fill Kit w/ 1-1/2" Hose

# 530-03-025200

## Kinze Non-Interplant (All Models) 200 Gallon Round Tank Kit Instruction Sheet: 396-3090Y1



### Recommended Fill Kits

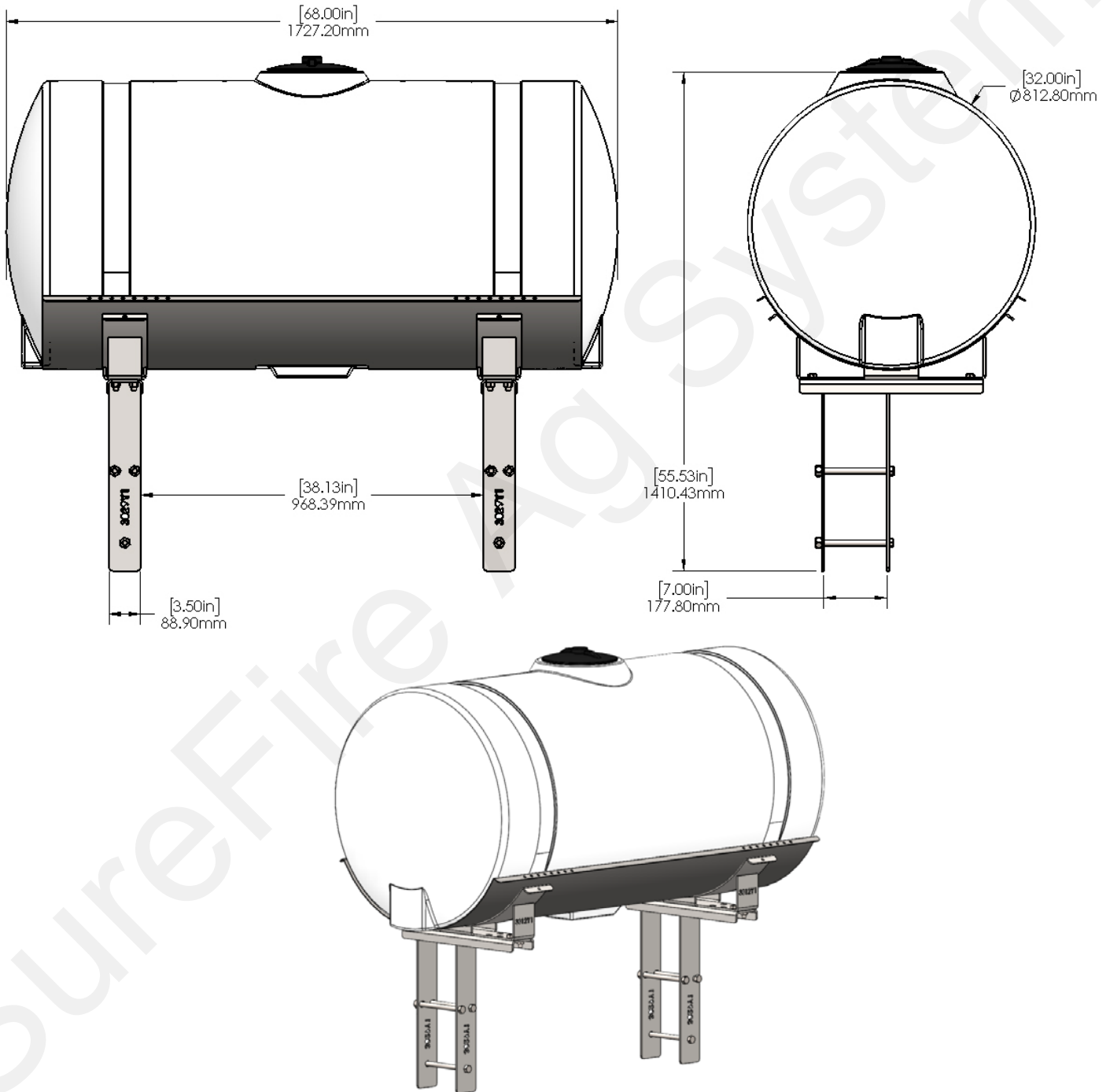
- 520-00-1015 - 2" Flange Fill kit w/ 1-1/2" Hose
- 520-00-1020 - 2 Tank Fill Kit w/ 1-1/2" Hose

# 530-03-100200

## Kinze 3700 Front Fold

### 200 Gallon Round Tank Kit

#### Instruction Sheet:



#### Recommended Fill Kits

- 520-00-1015 - 2" Flange Fill kit w/ 1-1/2" Hose
- 520-00-1020 - 2 Tank Fill Kit w/ 1-1/2" Hose

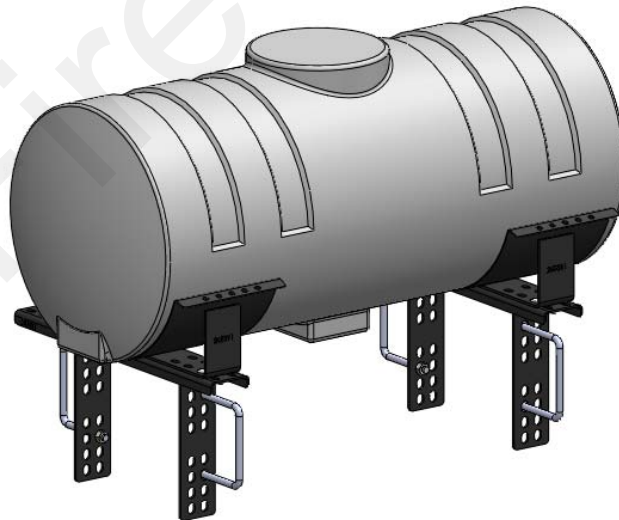
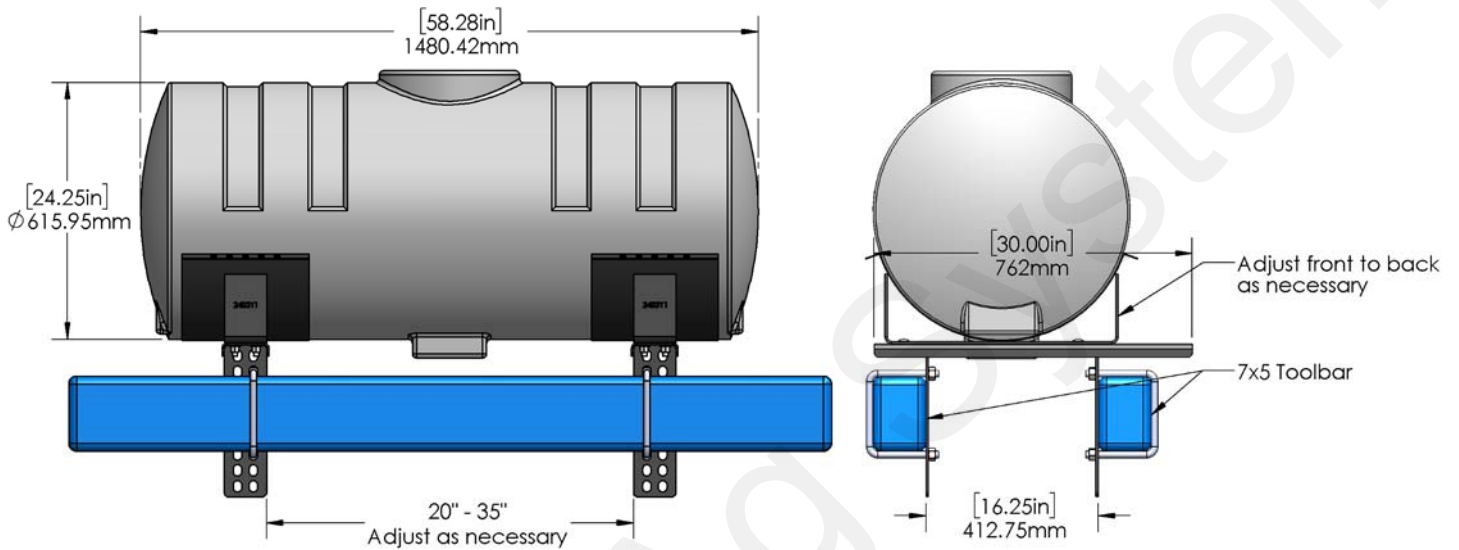


# 530-03-200100

## Kinze 2500/3500 Interplant

### 100 Gallon Round Tank Kit (6/11 or 8/15)

#### Instruction Sheet:



#### Recommended Fill Kits

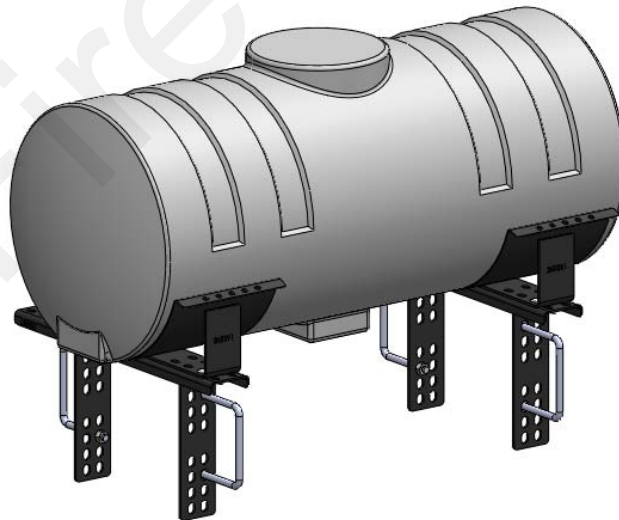
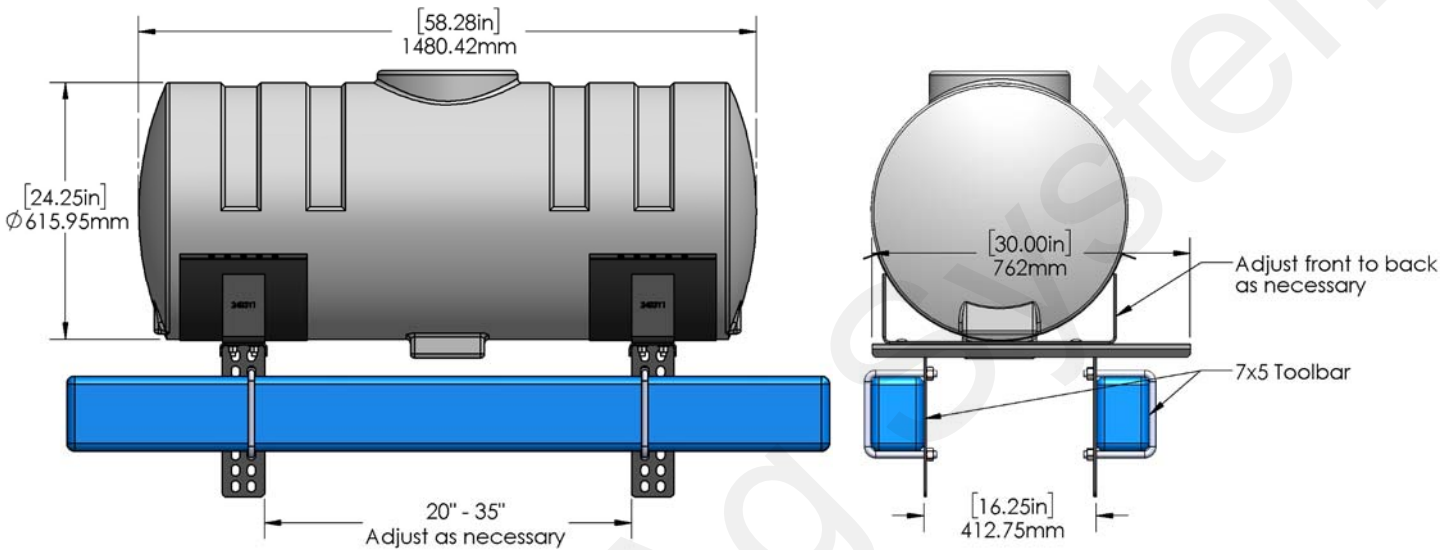
- 520-00-1015 - 2" Flange Fill kit w/ 1-1/2" Hose
- 520-00-1020 - 2 Tank Fill Kit w/ 1-1/2" Hose

# 530-03-200125

## Kinze 2600/3600 Interplant

### 100 Gallon Round Tank Kit (12/23 or 16/31)

#### Instruction Sheet:

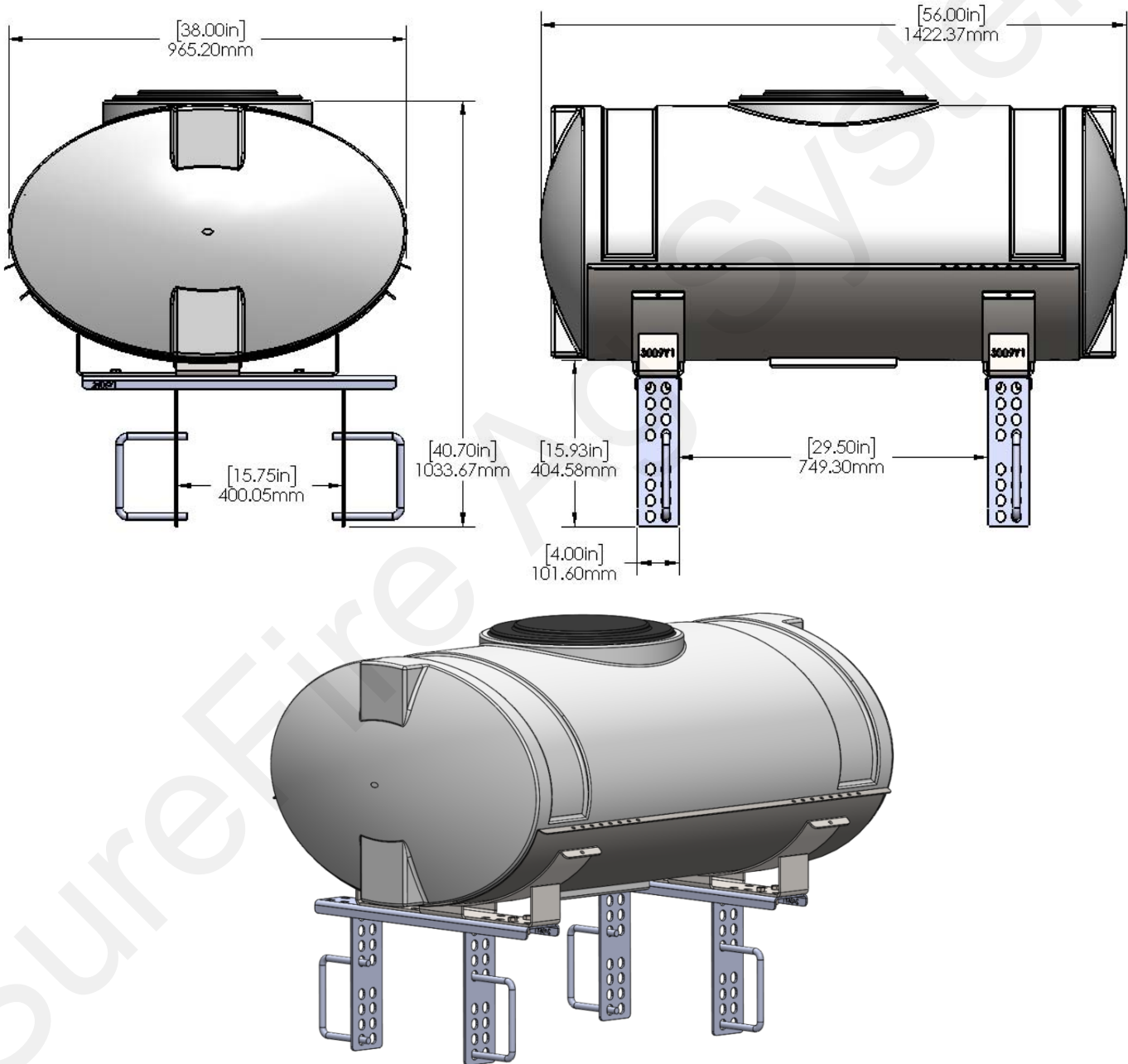
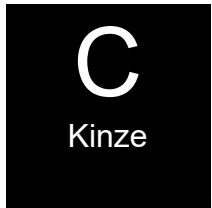


#### Recommended Fill Kits

- 520-00-1015 - 2" Flange Fill kit w/ 1-1/2" Hose
- 520-00-1020 - 2 Tank Fill Kit w/ 1-1/2" Hose

# 530-03-200150

## Kinze 2600/3600 Interplant 150 Gal Elliptical Tank Kit (12/23 Row) - Front Boxes off Instruction Sheet:

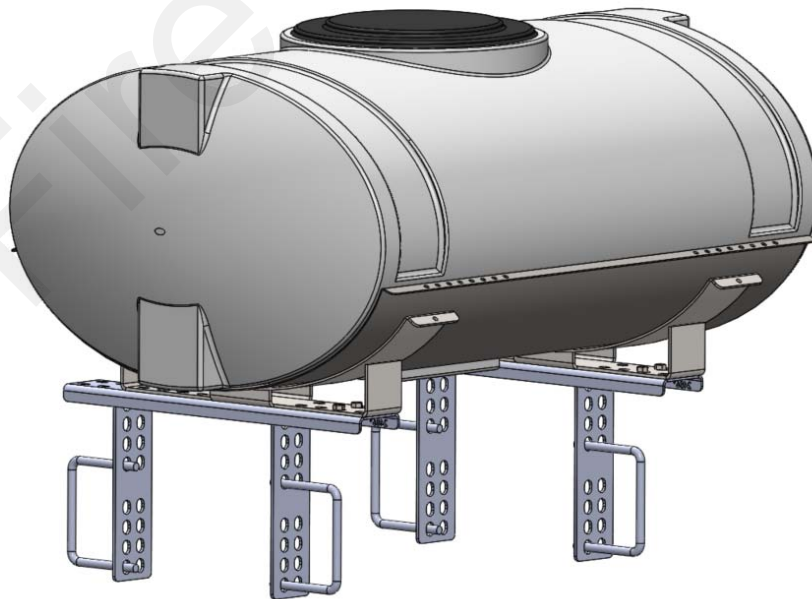
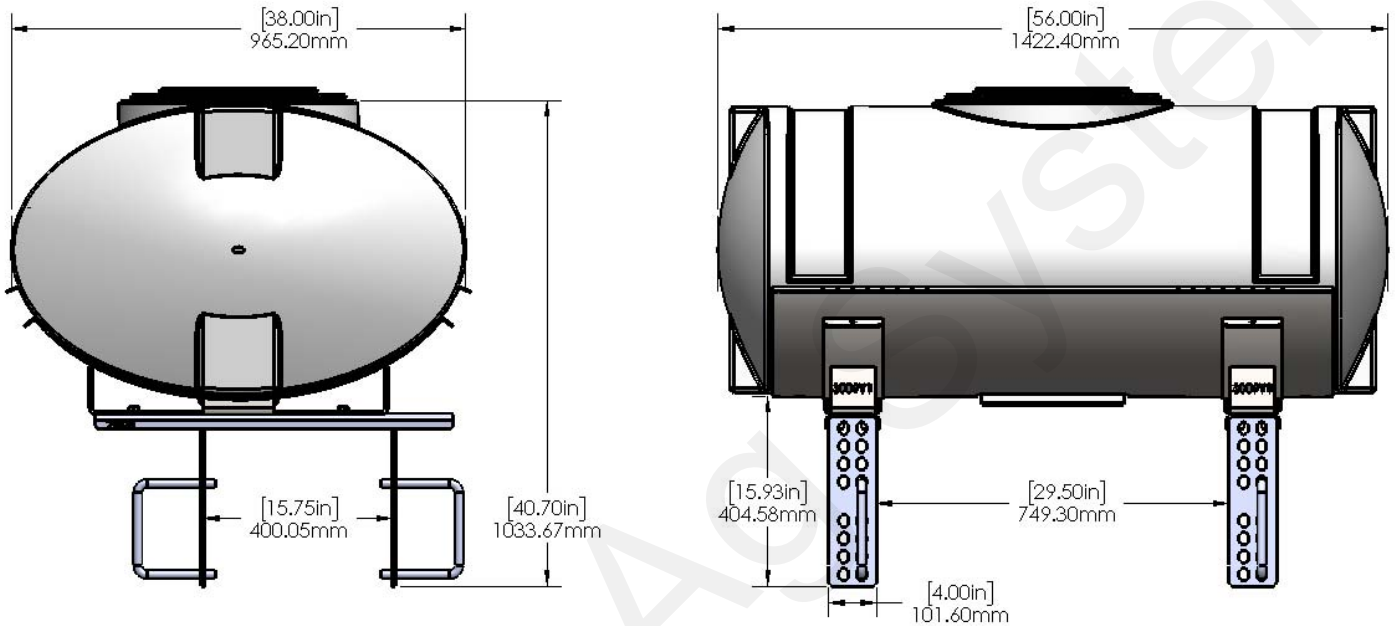


### Recommended Fill Kits

- 520-00-1015 - 2" Flange Fill kit w/ 1-1/2" Hose
- 520-00-1020 - 2 Tank Fill Kit w/ 1-1/2" Hose

# 530-03-200175

## Kinze 2000/3000 Interplant 150 Gal Elliptical Tank Kit (16/31 Row) Instruction Sheet:

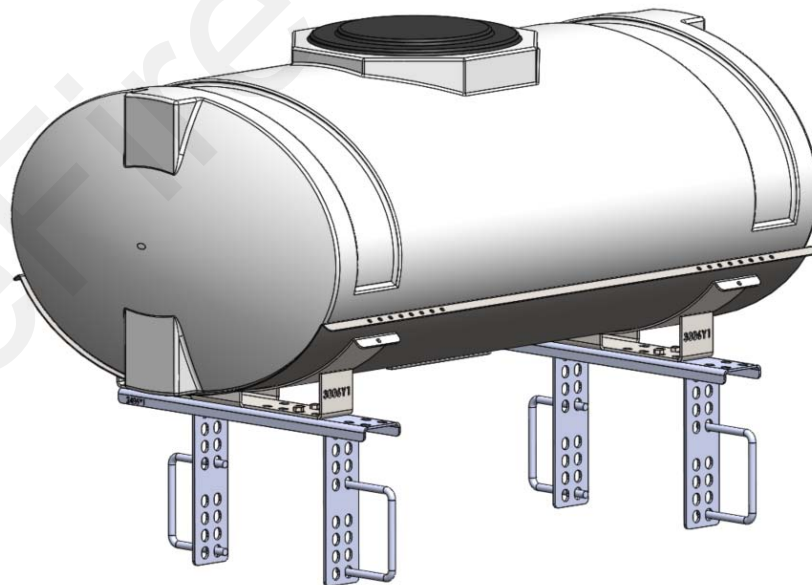
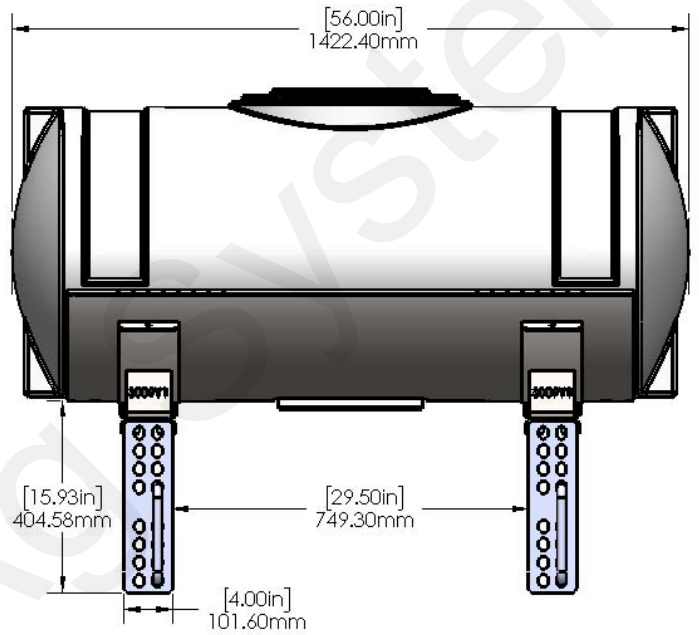
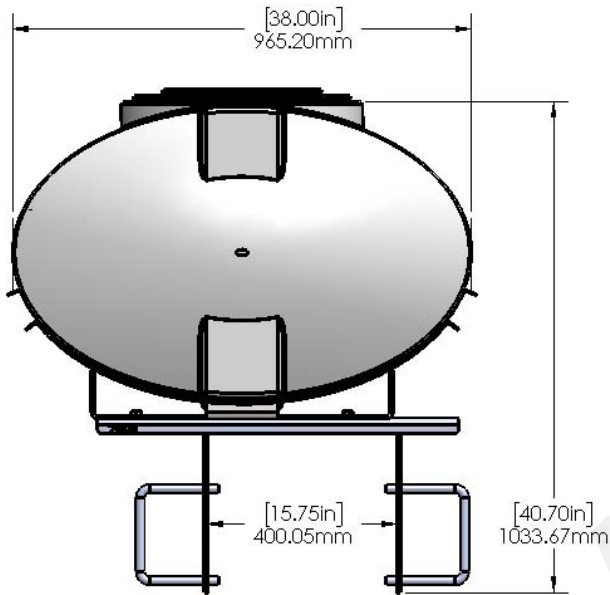


### Recommended Fill Kits

- 520-00-1015 - 2" Flange Fill kit w/ 1-1/2" Hose
- 520-00-1020 - 2 Tank Fill Kit w/ 1-1/2" Hose

# 530-03-200200

## Kinze 2000/3000 Interplant 200 Gal Elliptical Tank Kit (16/31 Row) Instruction Sheet:



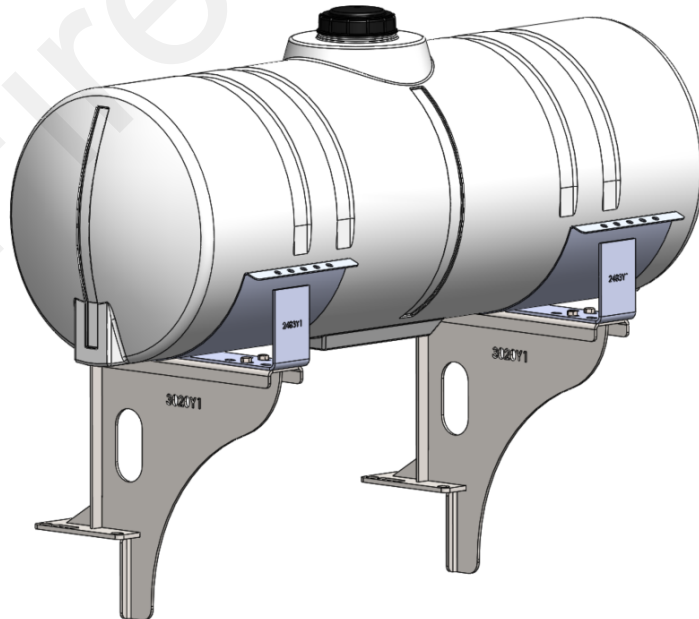
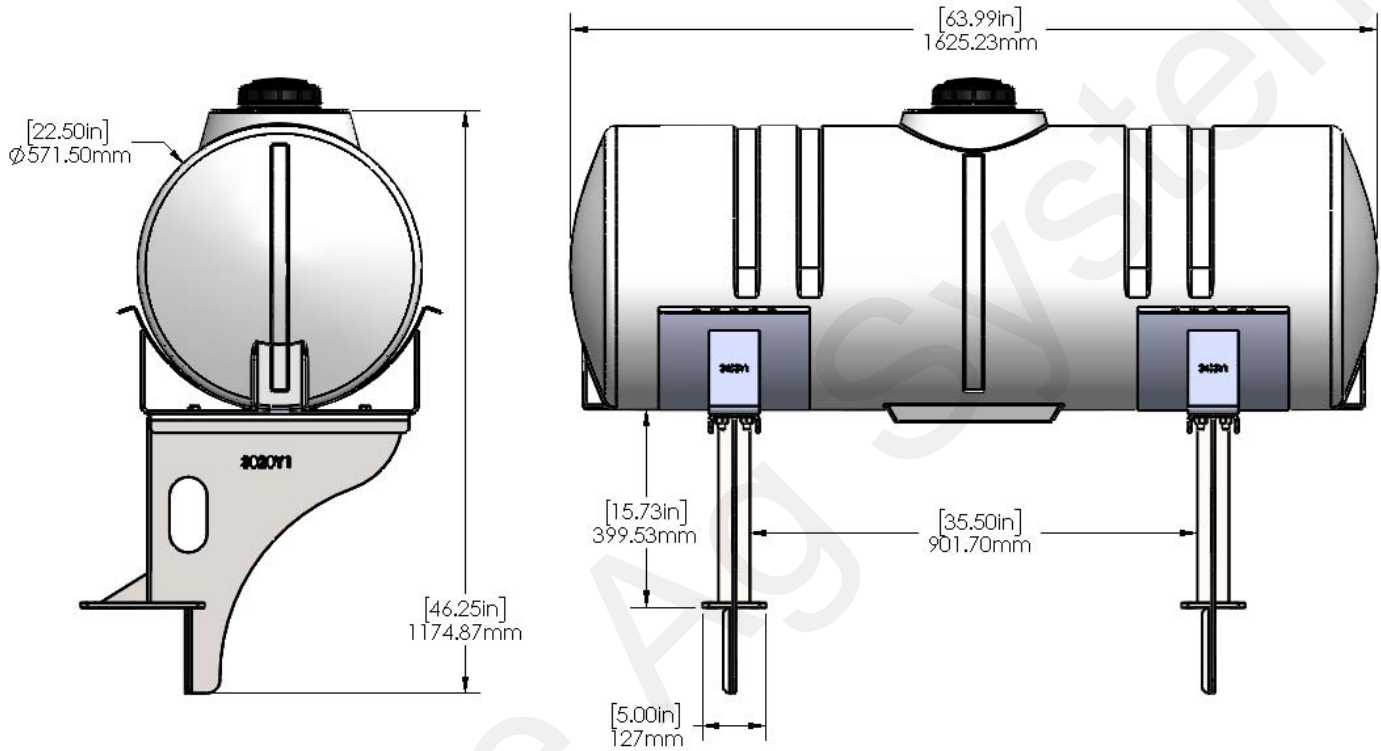
### Recommended Fill Kits

- 520-00-1015 - 2" Flange Fill kit w/ 1-1/2" Hose
- 520-00-1020 - 2 Tank Fill Kit w/ 1-1/2" Hose



# 530-03-200225

## Kinze 3600/3660 Interplant 100 Gallon Round Tank Kit - ASD Instruction Sheet: 396-3080Y1

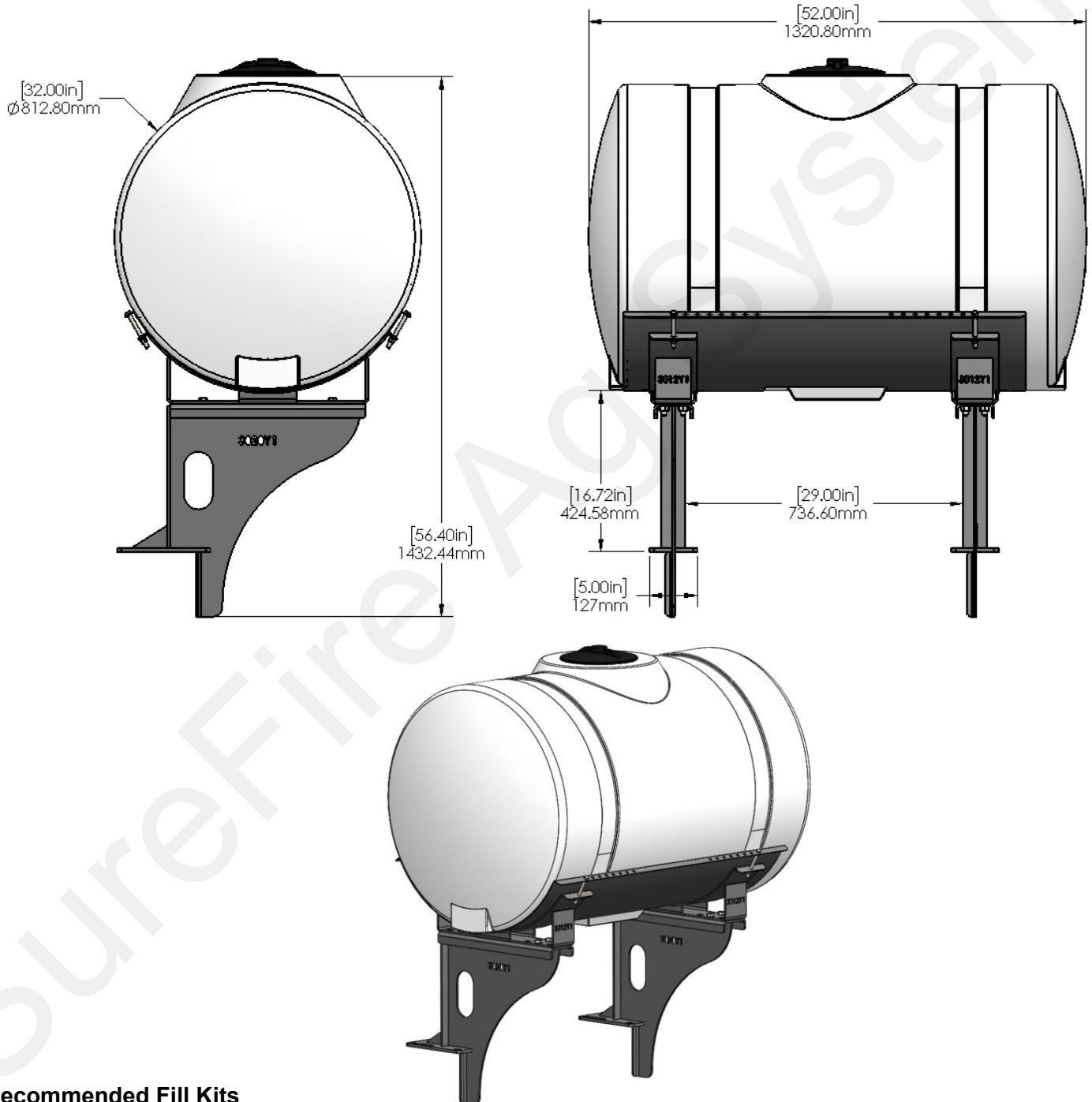


### Recommended Fill Kits

- 520-00-1015 - 2" Flange Fill kit w/ 1-1/2" Hose
- 520-00-1020 - 2 Tank Fill Kit w/ 1-1/2" Hose

# 530-03-200250

## Kinze 3600/3660 Interplant 150 Gallon Round Tank Kit - ASD Instruction Sheet: 396-3080Y1

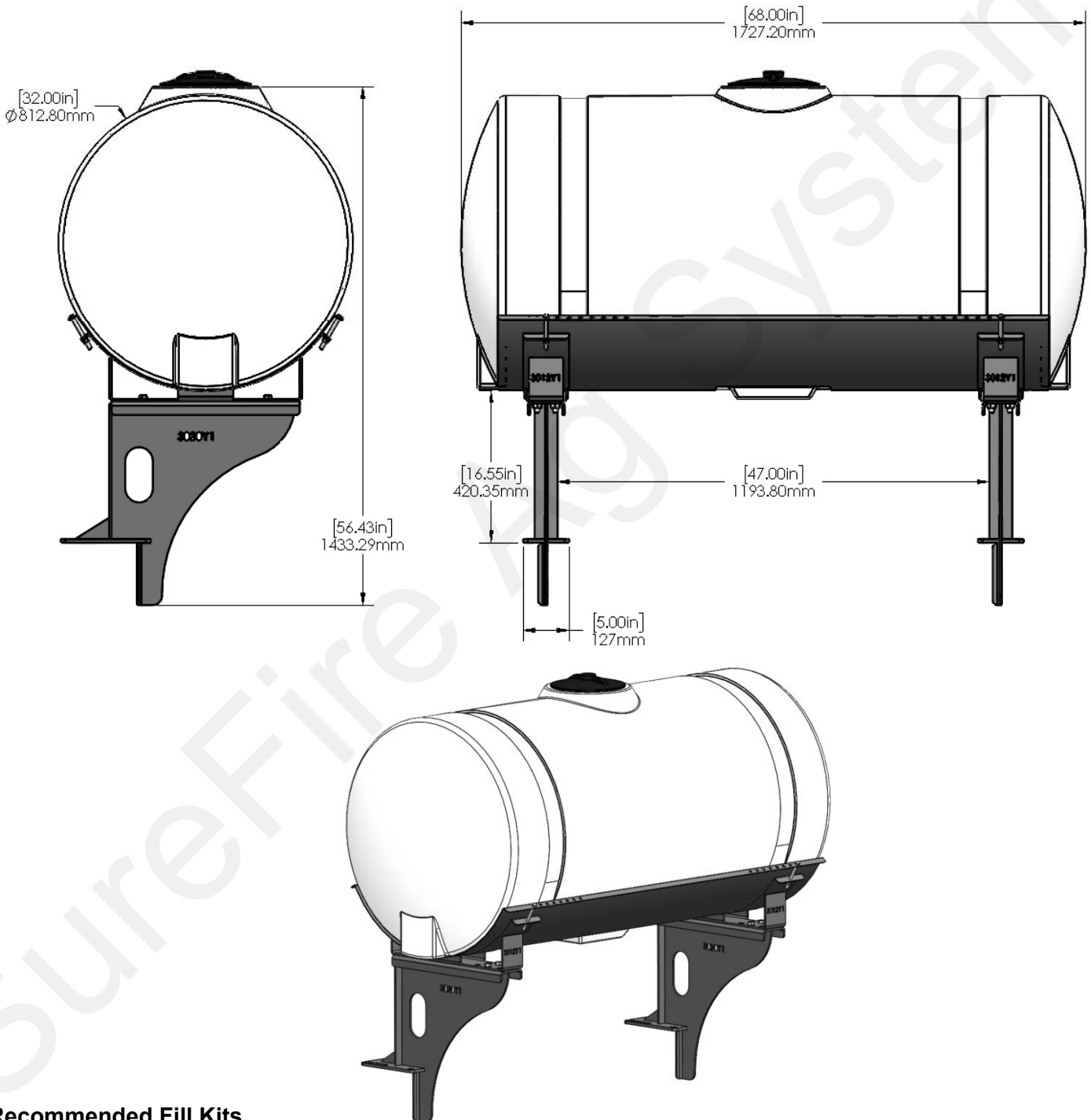


### Recommended Fill Kits

- 520-00-1015 - 2" Flange Fill kit w/ 1-1/2" Hose
- 520-00-1020 - 2 Tank Fill Kit w/ 1-1/2" Hose

# 530-03-200275

## Kinze 3600/3660 Interplant 200 Gallon Round Tank Kit - ASD Instruction Sheet: 396-3080Y1



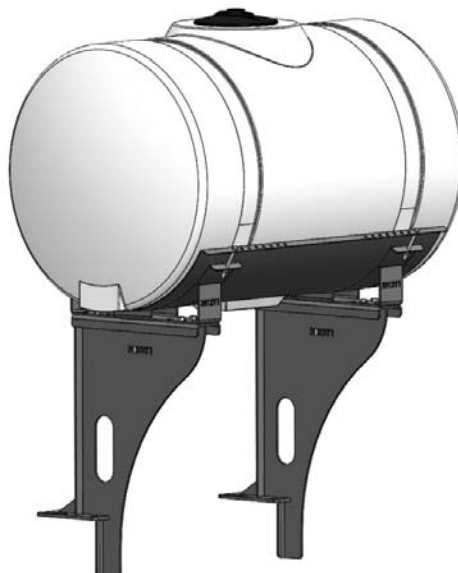
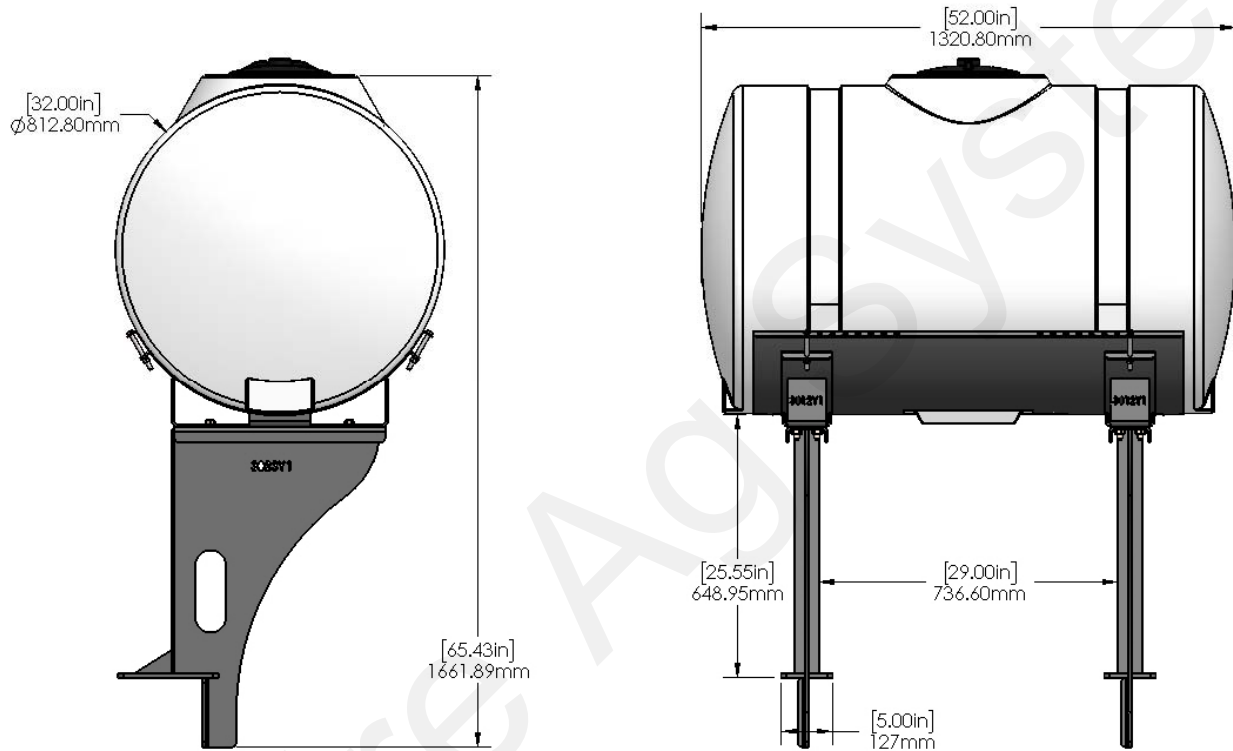
### Recommended Fill Kits

- 520-00-1015 - 2" Flange Fill kit w/ 1-1/2" Hose
- 520-00-1020 - 2 Tank Fill Kit w/ 1-1/2" Hose



# 530-03-200325

## Kinze 3600/3660 Interplant 150 Gallon Round Tank Kit - Row Boxes Instruction Sheet: 396-3080Y1

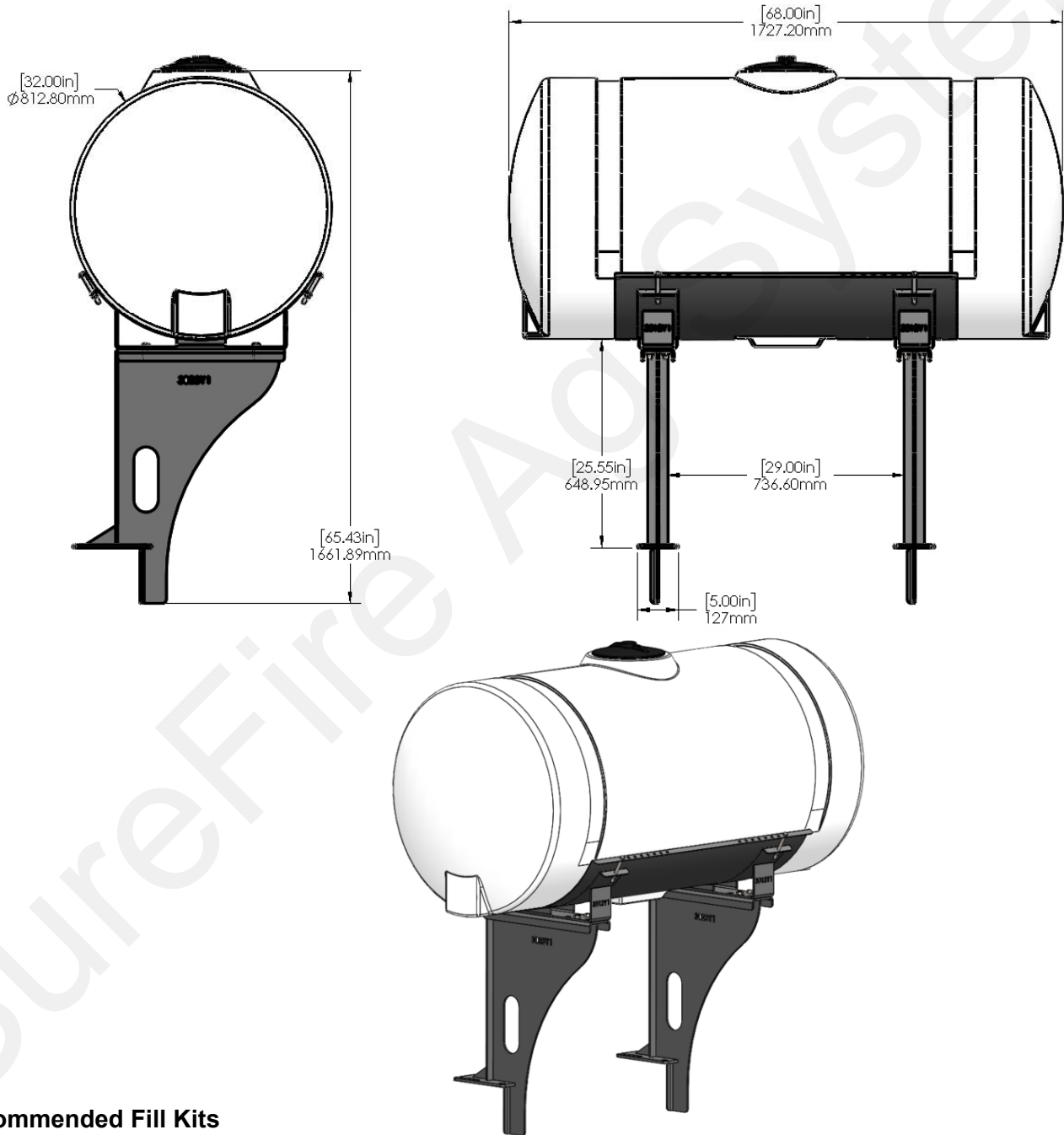


### Recommended Fill Kits

- 520-00-1015 - 2" Flange Fill kit w/ 1-1/2" Hose
- 520-00-1020 - 2 Tank Fill Kit w/ 1-1/2" Hose

# 530-03-200350

## Kinze 3600/3660 Interplant 200 Gallon Round Tank Kit - Row Boxes Instruction Sheet: 396-3080Y1



### Recommended Fill Kits

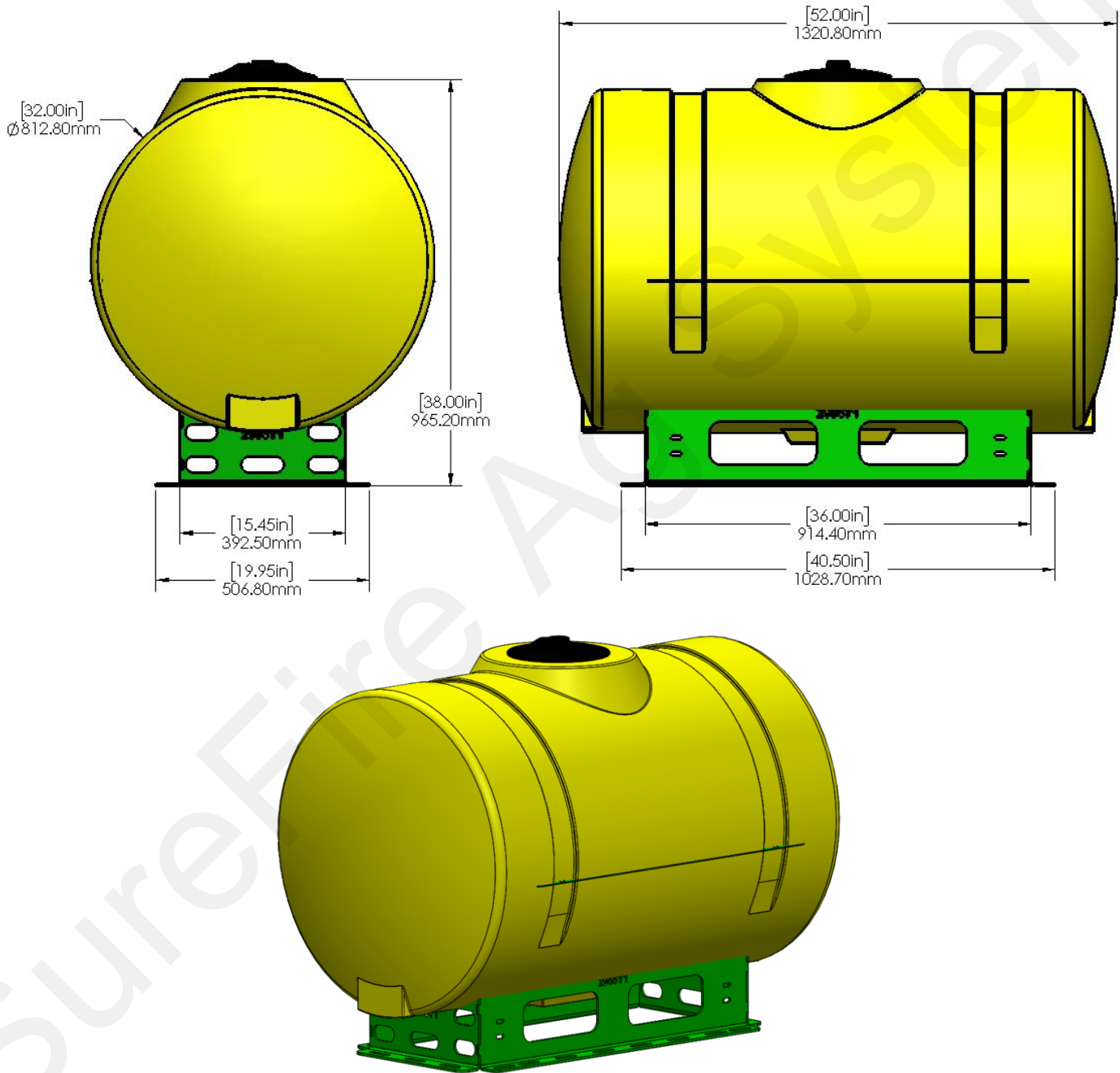
- 520-00-1015 - 2" Flange Fill kit w/ 1-1/2" Hose
- 520-00-1020 - 2 Tank Fill Kit w/ 1-1/2" Hose

# 530-00-100100

## Universal 150 Gal Tank Kit Instruction Sheet:

E

Universal  
Tank Kits



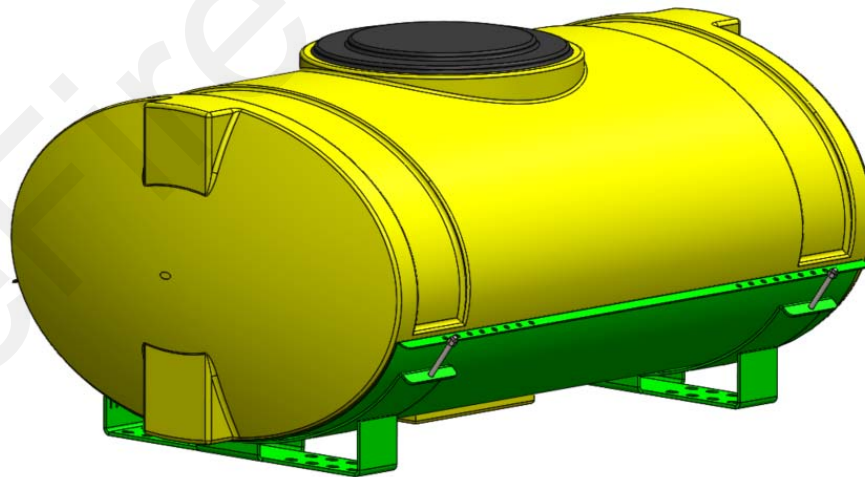
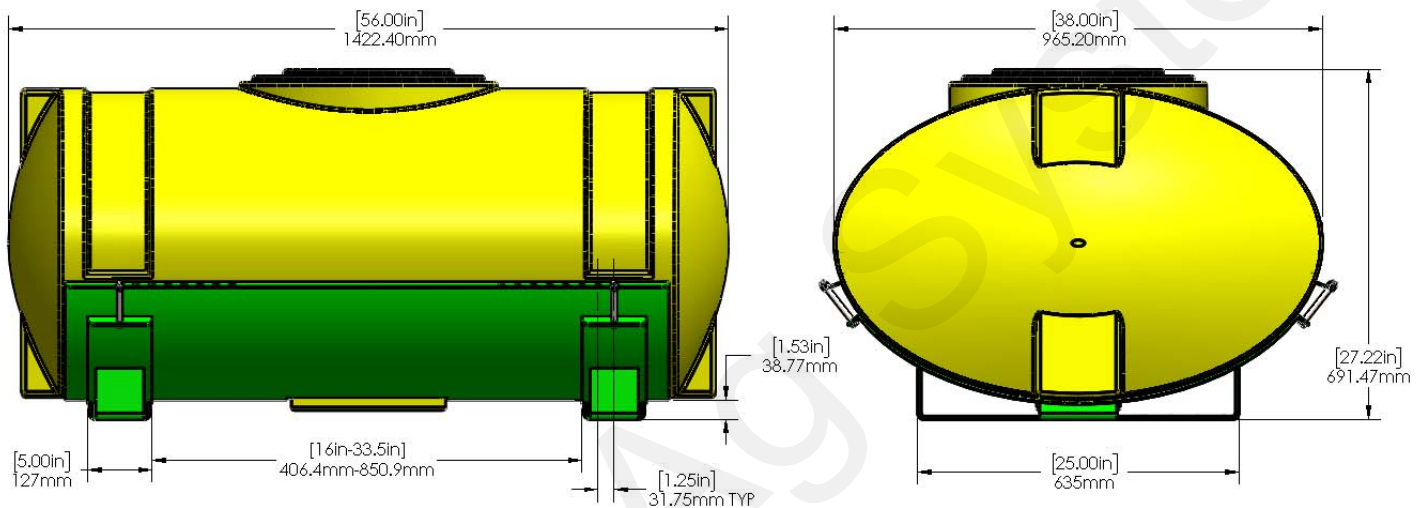
### Recommended Fill Kits

- 520-00-1015 - 2" Flange Fill kit w/ 1-1/2" Hose
- 520-00-1020 - 2 Tank Fill Kit w/ 1-1/2" Hose

# 530-00-100150

## Universal 150 Gallon Yellow Elliptical Tank Kit

### Instruction Sheet:



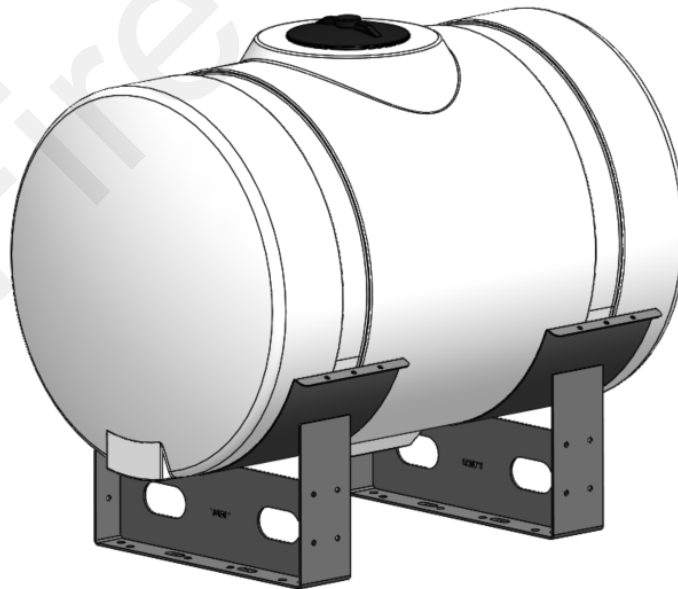
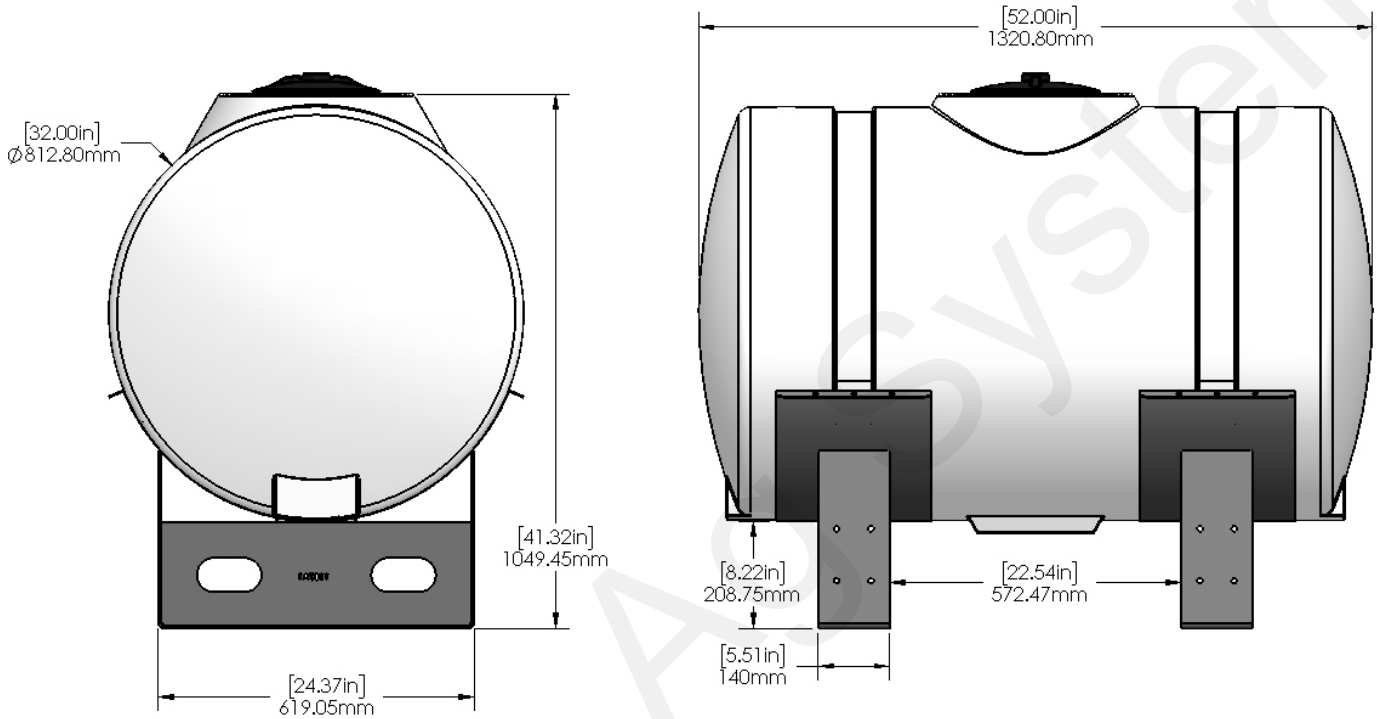
#### Recommended Fill Kits

- 520-00-1015 - 2" Flange Fill kit w/ 1-1/2" Hose
- 520-00-1020 - 2 Tank Fill Kit w/ 1-1/2" Hose

# 530-00-150100

## White 150 Gallon Tank Kit for 32" Tank/ Black Saddles

Instruction Sheet: 396-001600



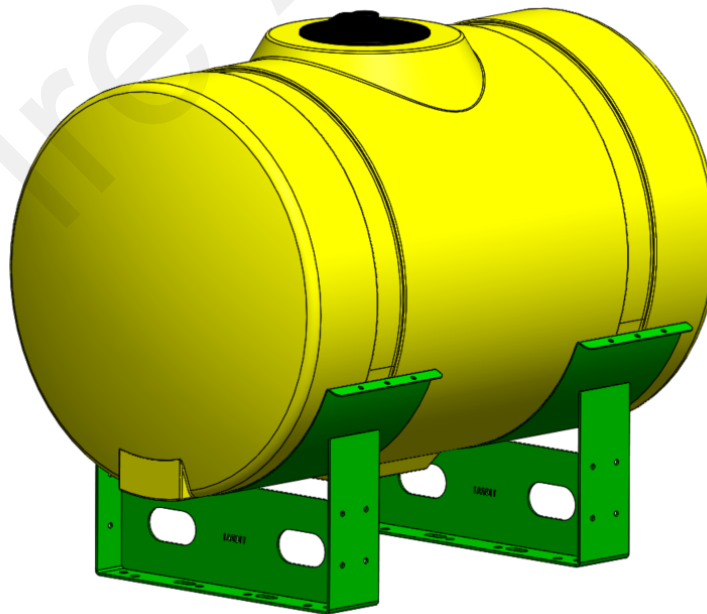
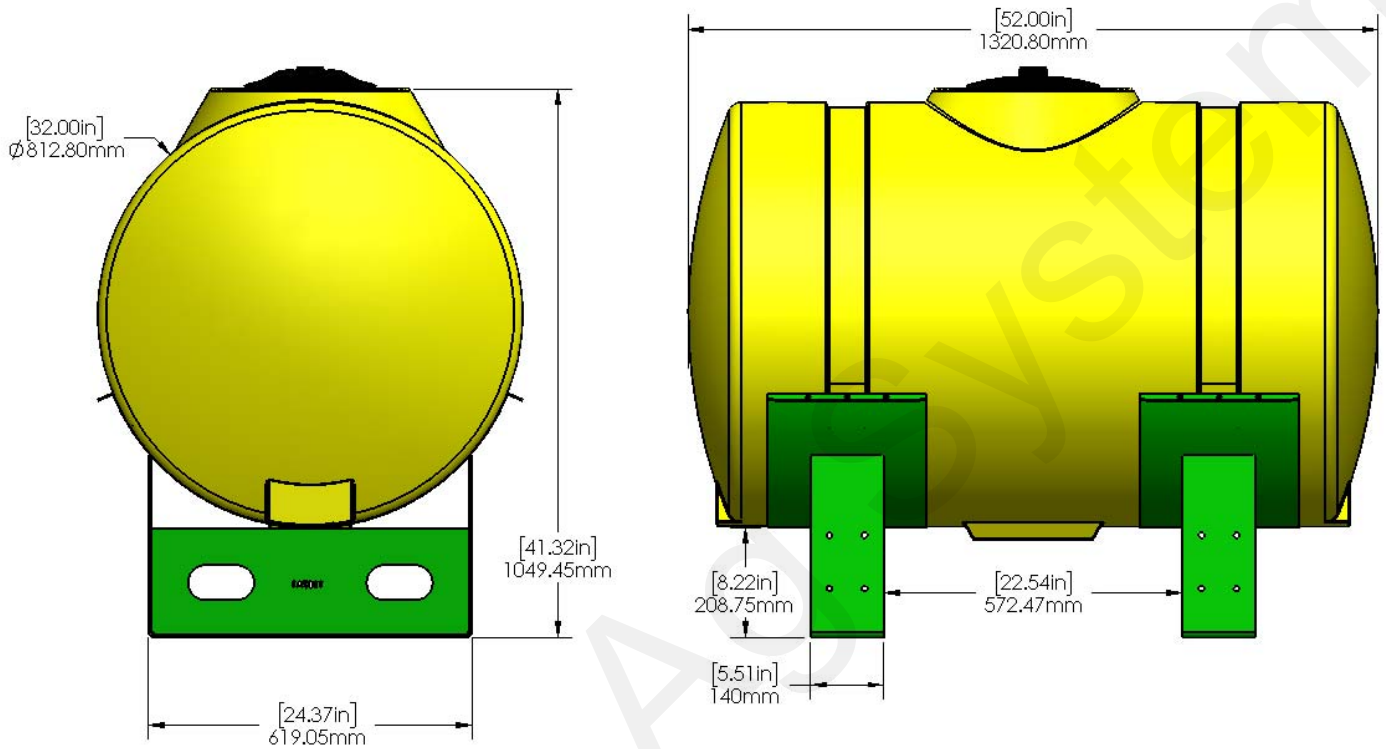
### Recommended Fill Kits

- 520-00-1015 - 2" Flange Fill kit w/ 1-1/2" Hose
- 520-00-1020 - 2 Tank Fill Kit w/ 1-1/2" Hose

# 530-00-150200

## Yellow 150 Gallon Tank Kit for 32" Tank/ Green Saddles

### Instruction Sheet: 396-001600



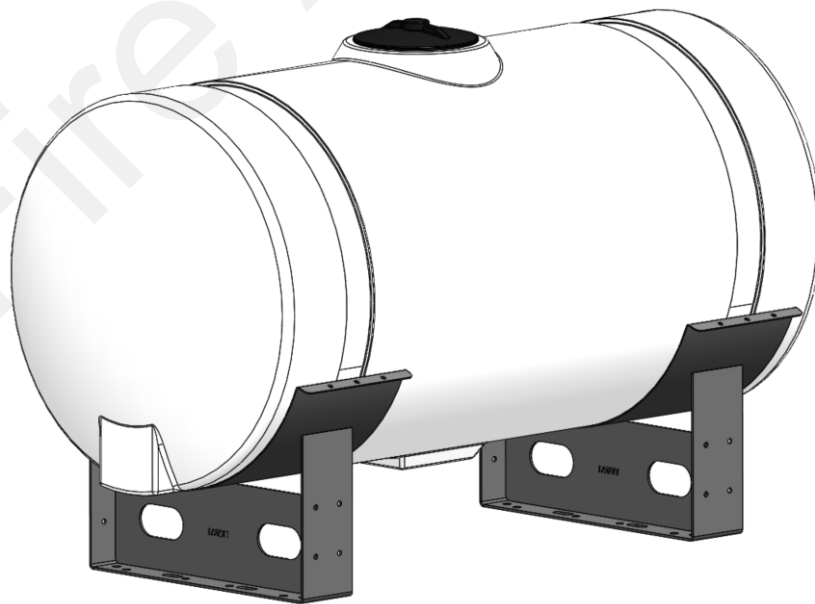
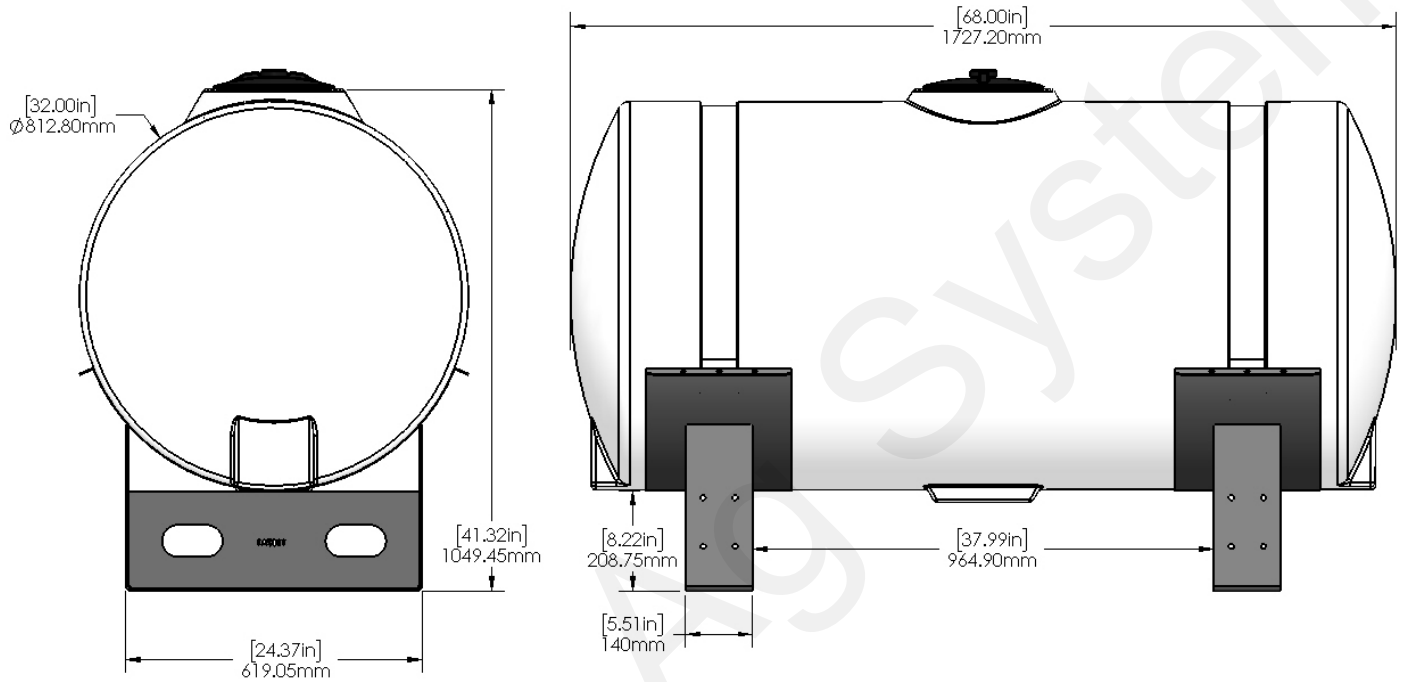
#### Recommended Fill Kits

- 520-00-1015 - 2" Flange Fill kit w/ 1-1/2" Hose
- 520-00-1020 - 2 Tank Fill Kit w/ 1-1/2" Hose

# 530-00-200100

## White 200 Gallon Tank Kit for 32" Tank/ Black Saddles

Instruction Sheet: 396-001600



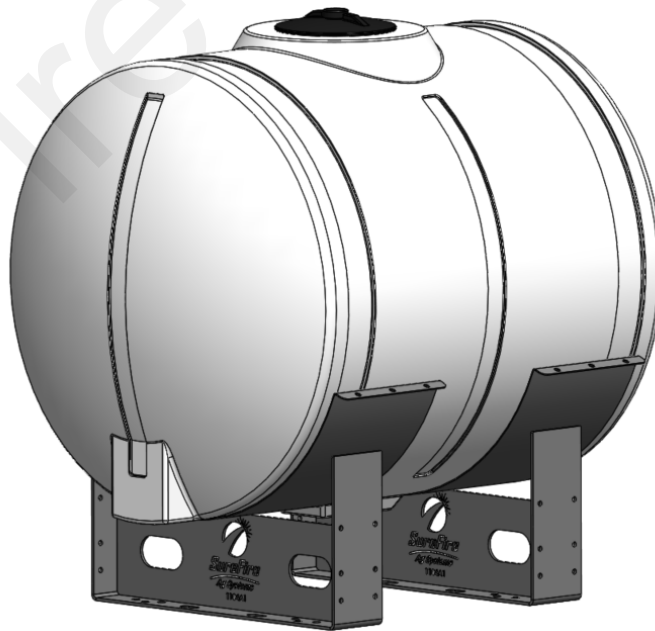
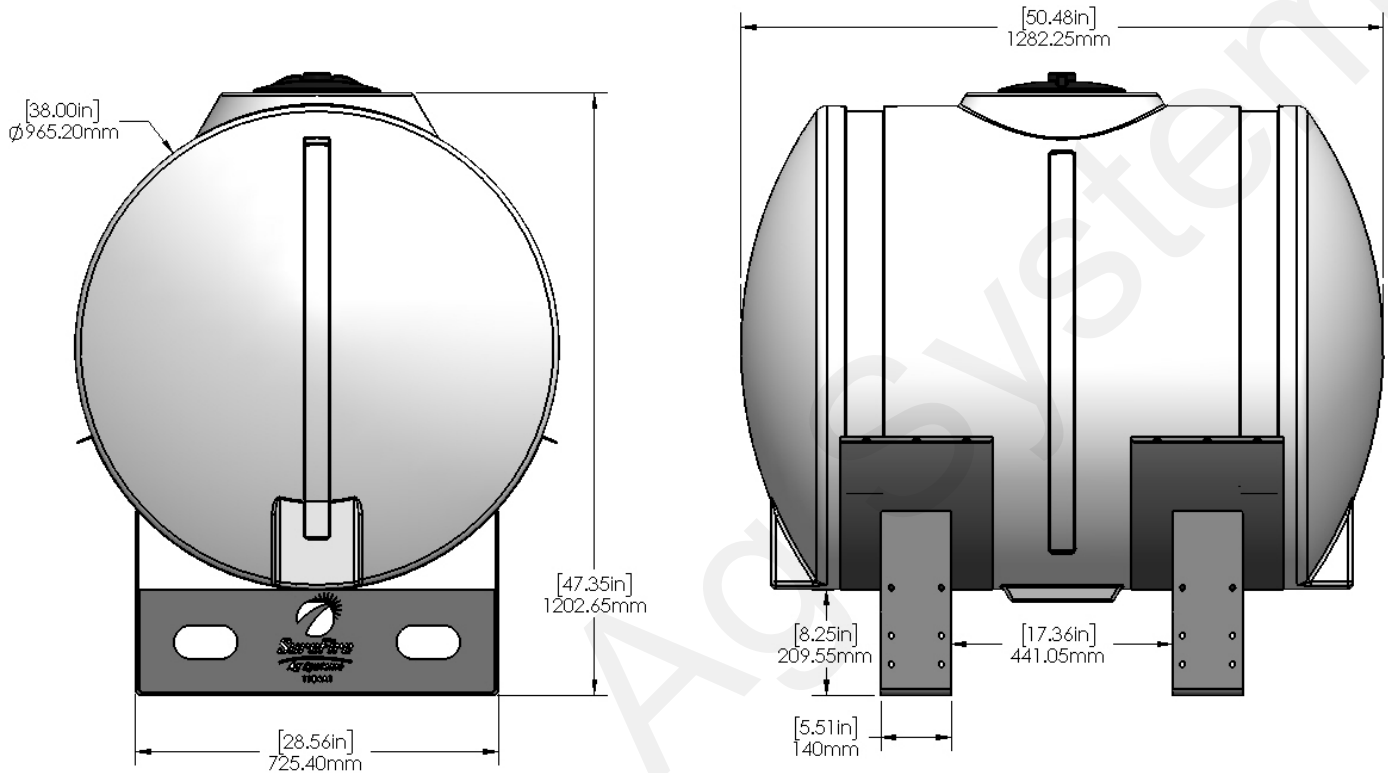
### Recommended Fill Kits

- 520-00-1015 - 2" Flange Fill kit w/ 1-1/2" Hose
- 520-00-1020 - 2 Tank Fill Kit w/ 1-1/2" Hose

# 530-00-200150

## White 200 Gallon Tank Kit for 38" Tank/ Black Saddles

Instruction Sheet: 396-001600



### Recommended Fill Kits

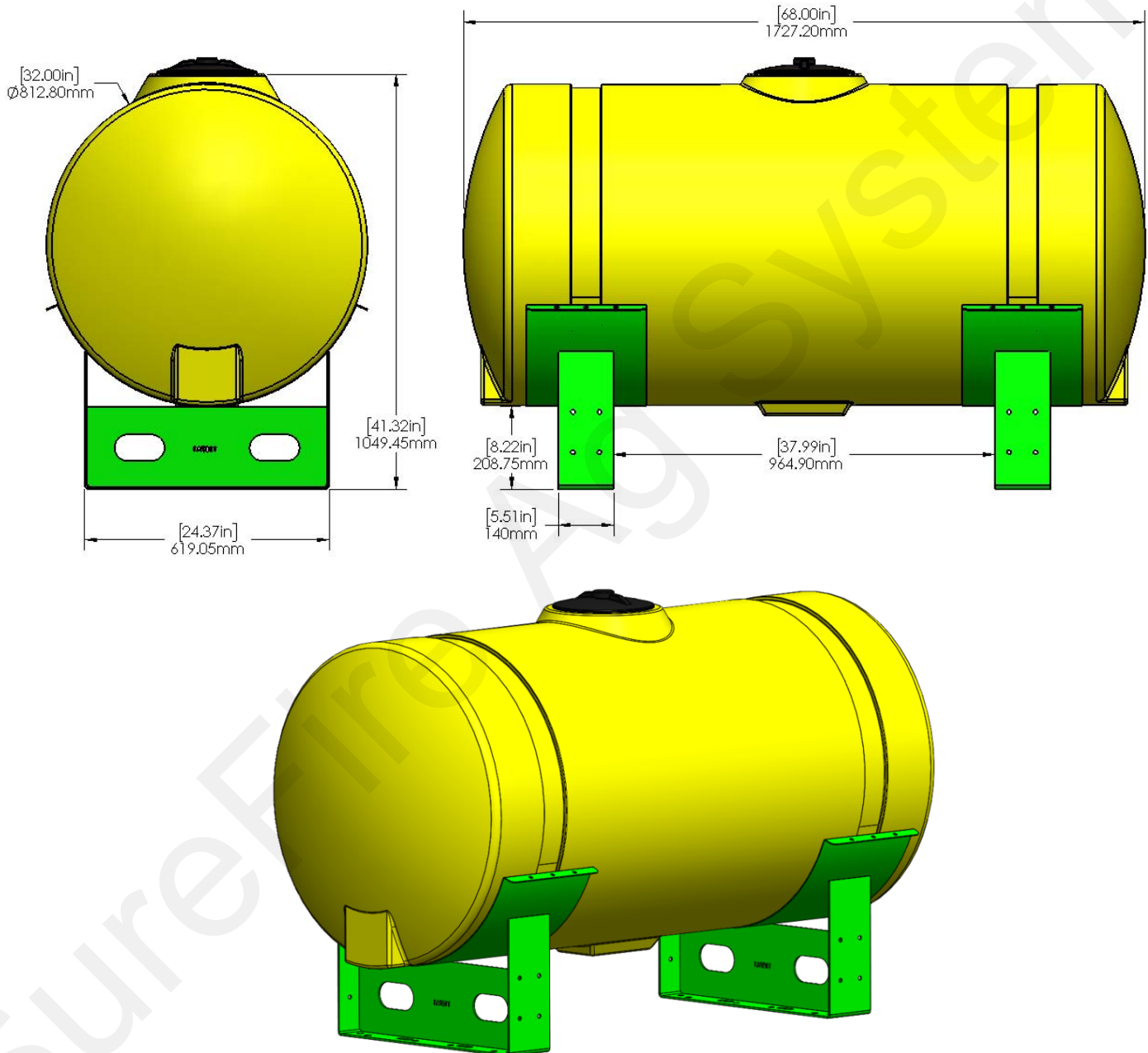
- 520-00-1015 - 2" Flange Fill kit w/ 1-1/2" Hose
- 520-00-1020 - 2 Tank Fill Kit w/ 1-1/2" Hose



# 530-00-200200

## Yellow 200 Gallon Tank Kit for 32" Tank/ Green Saddles

Instruction Sheet: 396-001600



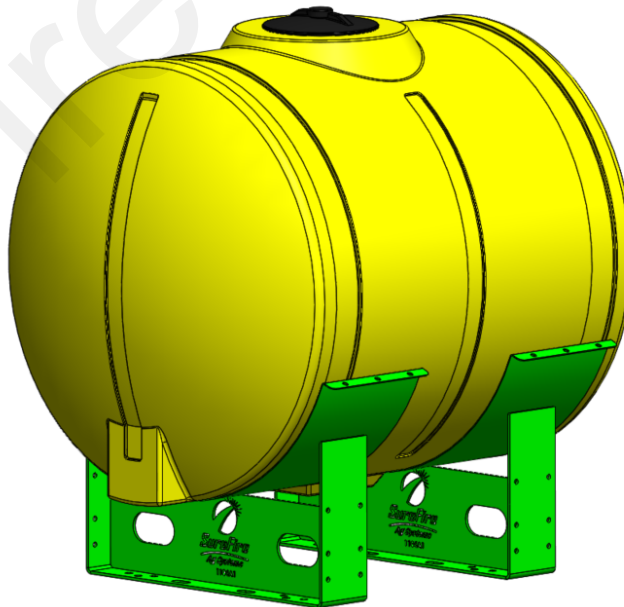
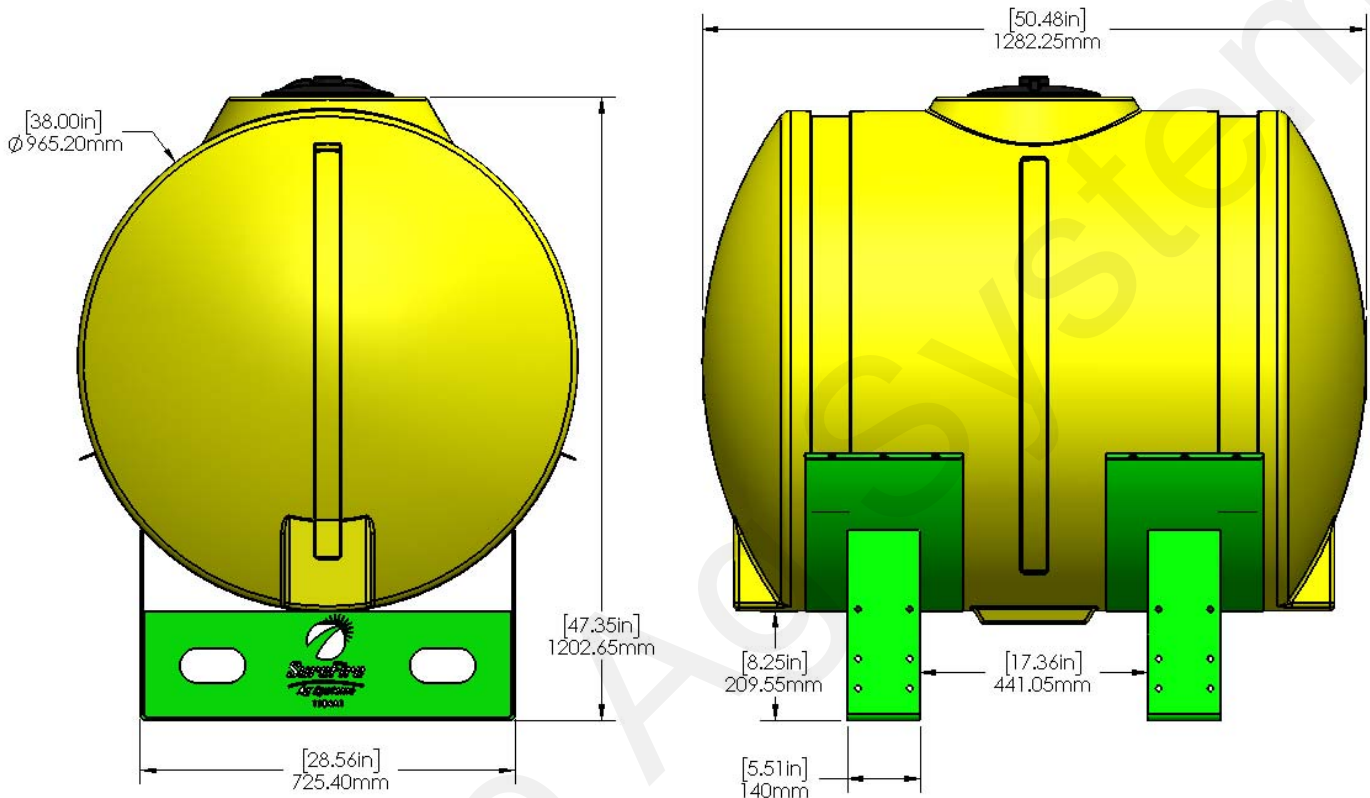
### Recommended Fill Kits

- 520-00-1015 - 2" Flange Fill kit w/ 1-1/2" Hose
- 520-00-1020 - 2 Tank Fill Kit w/ 1-1/2" Hose

# 530-00-200250

## Yellow 200 Gallon Tank Kit for 38" Tank/ Green Saddles

### Instruction Sheet: 396-001600



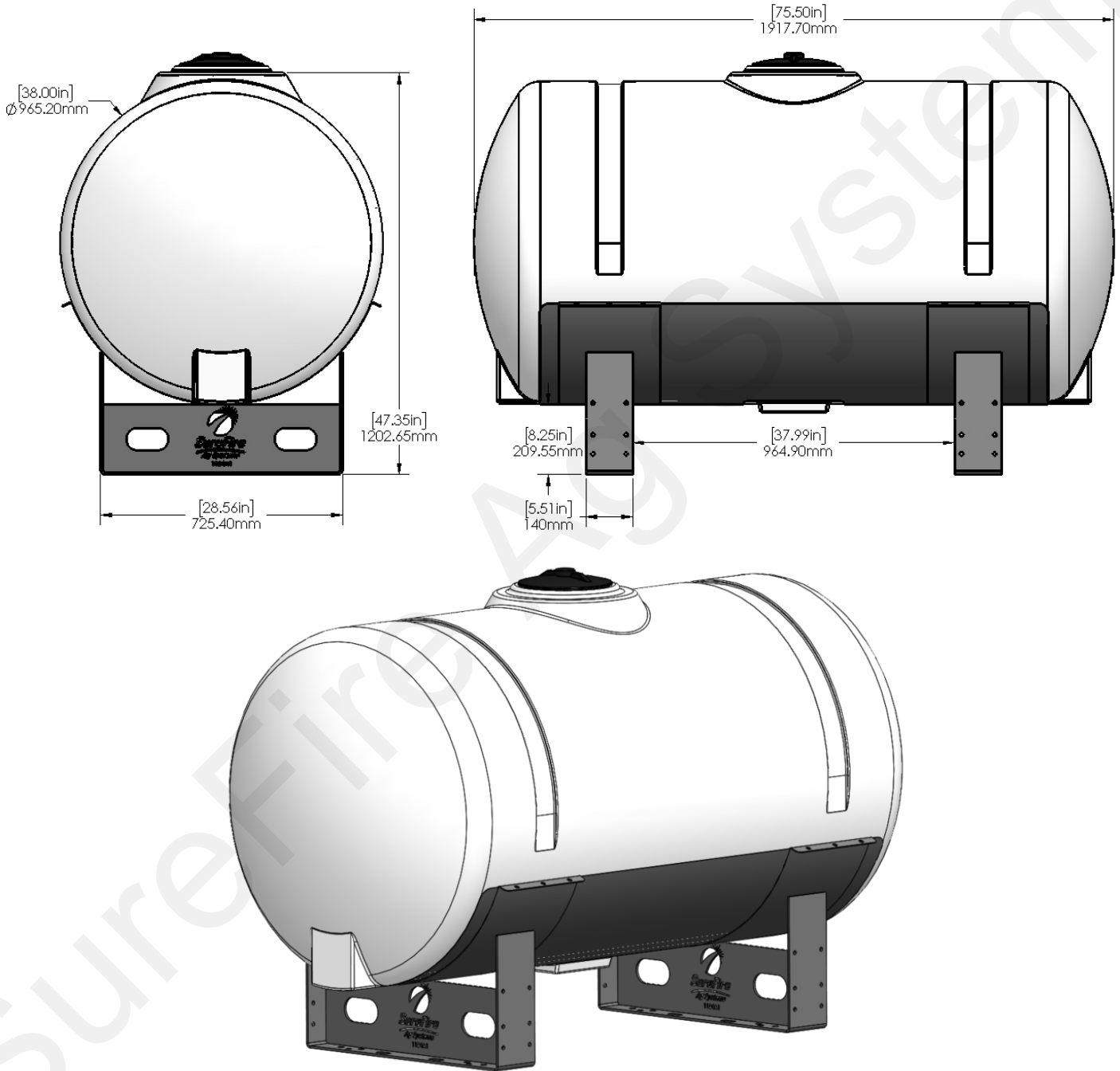
#### Recommended Fill Kits

- 520-00-1015 - 2" Flange Fill kit w/ 1-1/2" Hose
- 520-00-1020 - 2 Tank Fill Kit w/ 1-1/2" Hose

# 530-00-300100

## White 300 Gallon Tank Kit for 38" Tank/ Black Saddles

Instruction Sheet: 396-001600



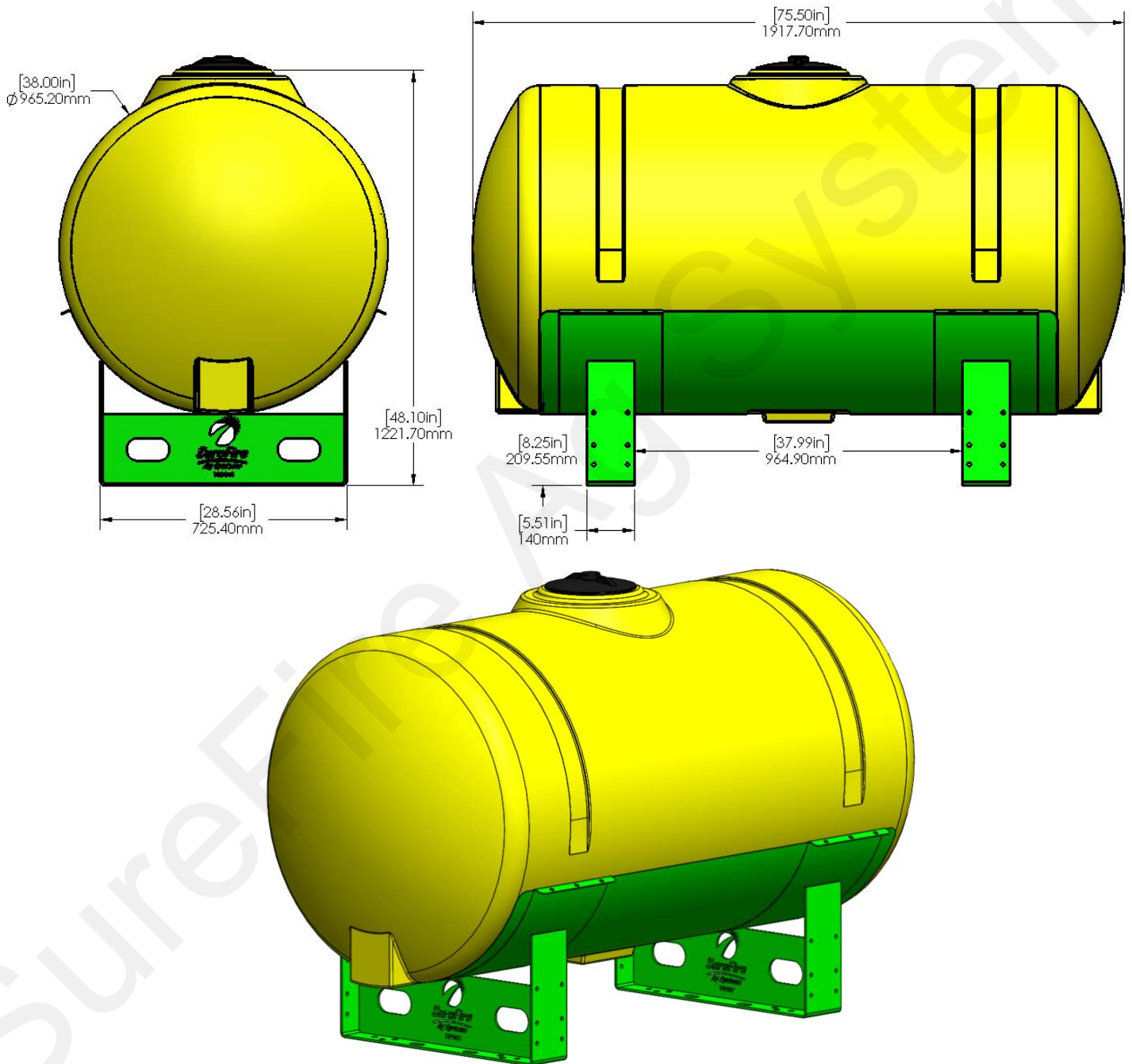
### Recommended Fill Kits

- 520-00-1015 - 2" Flange Fill kit w/ 1-1/2" Hose
- 520-00-1020 - 2 Tank Fill Kit w/ 1-1/2" Hose

# 530-00-300200

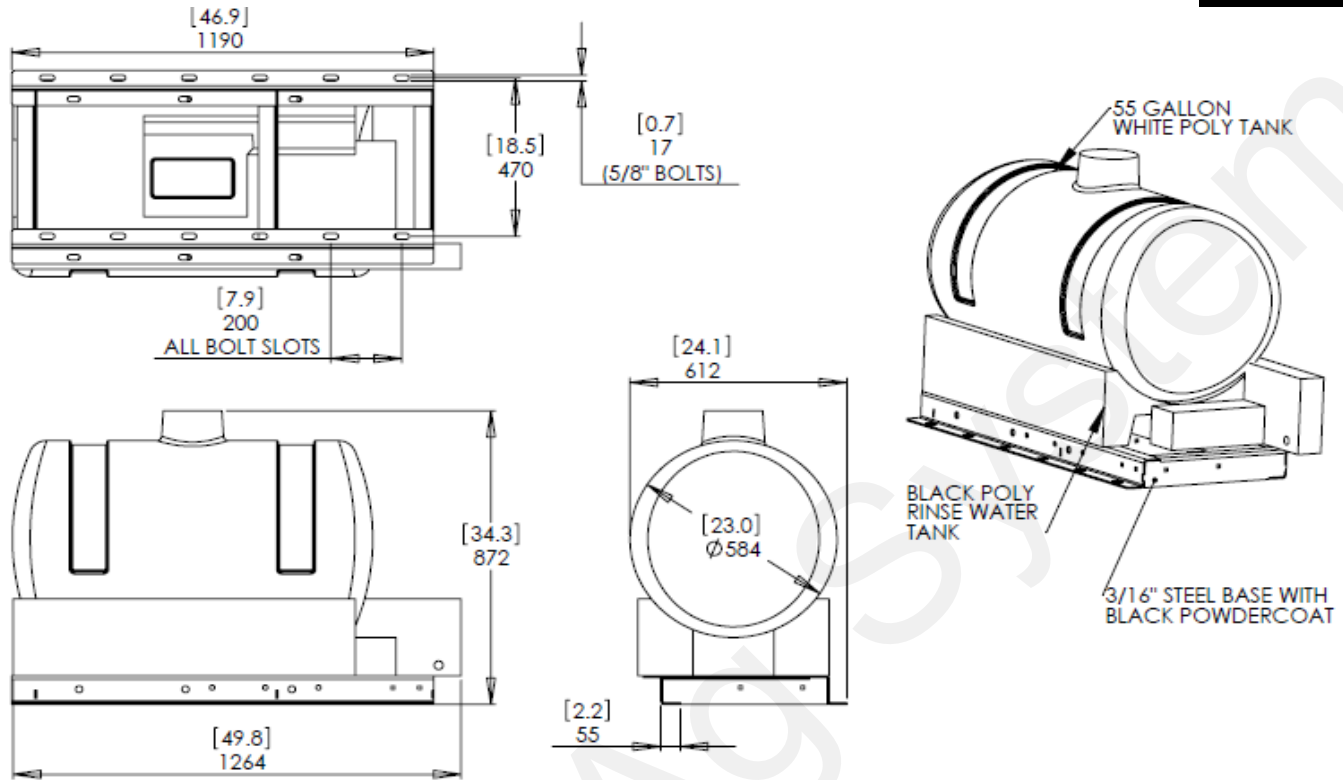
## Yellow 300 Gallon Tank Kit for 38" Tank/ Green Saddles

### Instruction Sheet: 396-001600



#### Recommended Fill Kits

- 520-00-1015 - 2" Flange Fill kit w/ 1-1/2" Hose
- 520-00-1020 - 2 Tank Fill Kit w/ 1-1/2" Hose

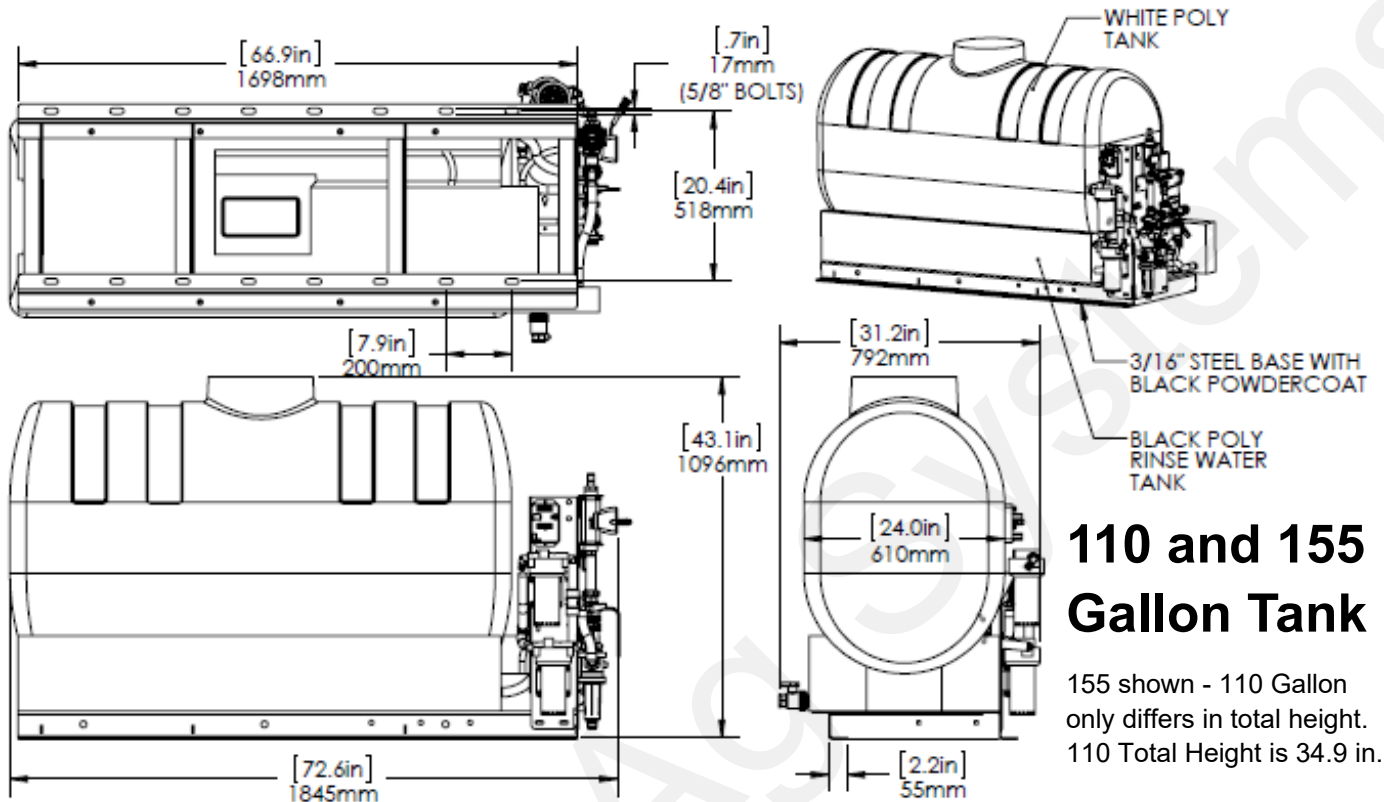


### Recommended Fill Kits

- 520-00-1010 - Accelerator Fill Kit - 2" Flange Fill Kit with 1-1/2" Hose
- 520-00-1011 - Accelerator Fill Kit for 2 Tanks- 2" Flange Fill Kit with 1-1/2" Hose
- 520-00-101120 - Dual Accelerator Tank Plumbing Kit (Tank Outlet Plumbed Together)

### Recommended Mounting Kits

- 526-02-200275 - Black 6" Pedestal Kit for Saddle or Accelerator
- 526-02-200280 - Green 22" Pedestal Kit for Saddle or Accelerator
- 526-02-200300 - Black 16" Pedestal Kit for Saddle or Accelerator
- 526-02-200305 - Green 22" Pedestal Kit for Saddle or Accelerator
- 526-02-200350 - Black 22" Pedestal Kit for Saddle or Accelerator
- 526-02-200355 - Green 22" Pedestal Kit for Saddle or Accelerator



## 110 and 155 Gallon Tank

155 shown - 110 Gallon only differs in total height. 110 Total Height is 34.9 in.

### Recommended Fill Kits

- 520-00-1010 - Accelerator Fill Kit - 2" Flange Fill Kit with 1-1/2" Hose
- 520-00-1011 - Accelerator Fill Kit for 2 Tanks- 2" Flange Fill Kit with 1-1/2" Hose
- 520-00-101120 - Dual Accelerator Tank Plumbing Kit (Tank Outlet Plumbed Together)

### Recommended Mounting Kits

- 526-02-200275 - Black 6" Pedestal Kit for Saddle or Accelerator
- 526-02-200280 - Green 22" Pedestal Kit for Saddle or Accelerator
- 526-02-200300 - Black 16" Pedestal Kit for Saddle or Accelerator
- 526-02-200305 - Green 22" Pedestal Kit for Saddle or Accelerator
- 526-02-200350 - Black 22" Pedestal Kit for Saddle or Accelerator
- 526-02-200355 - Green 22" Pedestal Kit for Saddle or Accelerator