

Wire Size: 18 AWG unless otherwise specified

# 201-215468 Y2

Length: 2ft

## Ag Leader Adapter Cable twin 16 Pins

12 Pin Boom Connector – Deutsch DT06-12S Female

Section 1	1
Section 2	2
Section 3	3
Section 4	4
Section 5	5
Section 6	6
Section 7	7
Section 8	8
Section 9	9
Section 10	10
Section 11	11
Section 12	12



12 Pin Aux Connector – Deutsch DT06-12S Female (Black Connector)

Agitation Pressure

Pressure 1 (Main)

Aux Valve 1

Aux Valve 2

Impl Switch Signal

Pressure 2 (AUX)

Impl Switch GND

1
2
3
4
5
6
7
8
9
10
11
12



8 Pin Channel 1 (PWM and Flow) Connector – Deutsch DT06-08S Female

Servo +/-PWM

Flow Signal

Flow GND

Servo -/PWM

1
2
3
4
5
6
7
8



2 Pin (Power In) Connector – Deutsch DTP04-2P Male

+12VDC

Ground

1
2



16 Pin Round – AMP Male pins in male body (with threads for swivel nut)

1	Valve GND
2	Section 2
3	Section 3
4	Section 4
5	Section 5
6	Section 6
7	Section 7
8	Section 8
9	Section 9
10	Section 10
11	Pressure 2(AUX)
12	Aux Valve 1
13	Pressure 1 (Main)
14	Valve Power
15	Section 1
16	Valve Power

Attach Dust cover to Connector

Labeled "Sections"



16 Pin Round – AMP Female pins in female body (with swivel nut)

1	GND
2	
3	Servo +/- PWM
4	Servo -/ PWM
5	
6	Section 1
7	Labeled "To Pump"
8	
9	Pressure 1 (Main)
10	Pressure 2 (AUX)
11	Flow GND
12	
13	Flow Signal
14	
15	
16	Power



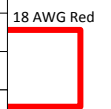
Run/Hold



A	Signal
B	
C	GND



A	Signal
B	
C	GND



Project:	201-215468 Y2	Drawn By:	Albert Popp Rev. by Mark Wolters
Filename:	Ag Leader Adapter Cable twin 16 pins (2 Pressure and Aux Valve 1)	Date:	10/7/2011 Rev. 09/24/2013
Copyright 2011-2013 SureFire Ag Systems		Page of Pages	1 of 2

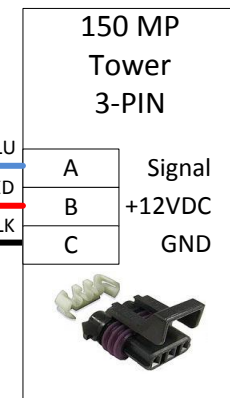
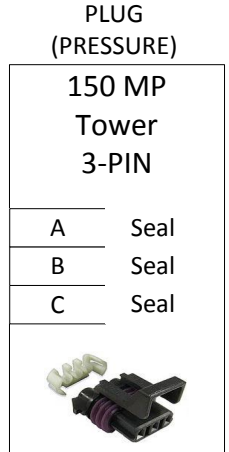
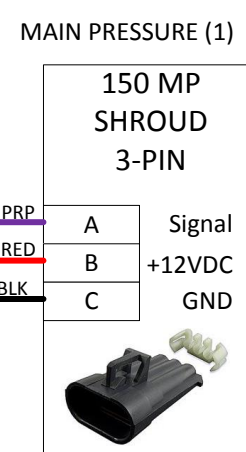
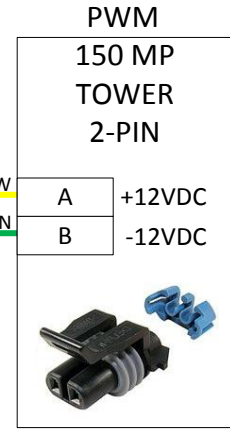
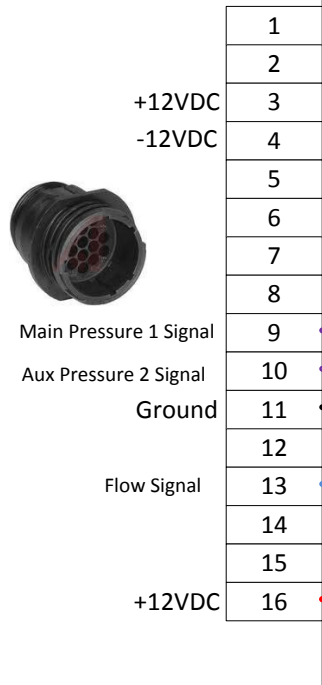
# 207-215223 Y2

PWM Pump Cable – Flowmeter, PWM & 2 Pressure

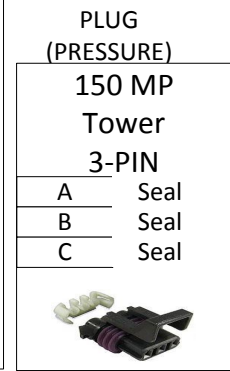
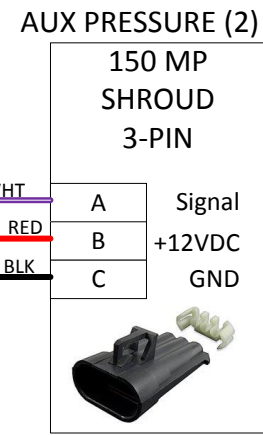
Wire Size: 18 AWG

Length: 10ft

16 Pin Round – AMP  
Male pins in male body  
(with threads for swivel nut)



FLOW



Project:	207-215223 Y2	Drawn By:	Brady Gragg Rev by Mark Wolters
Filename:	PWM Pump Cable – Flowmeter, PWM & 2 Pressure	Date:	5/17/12 08/19/2013
Copyright 2012 SureFire Ag Systems		Page of Pages	1 of 1

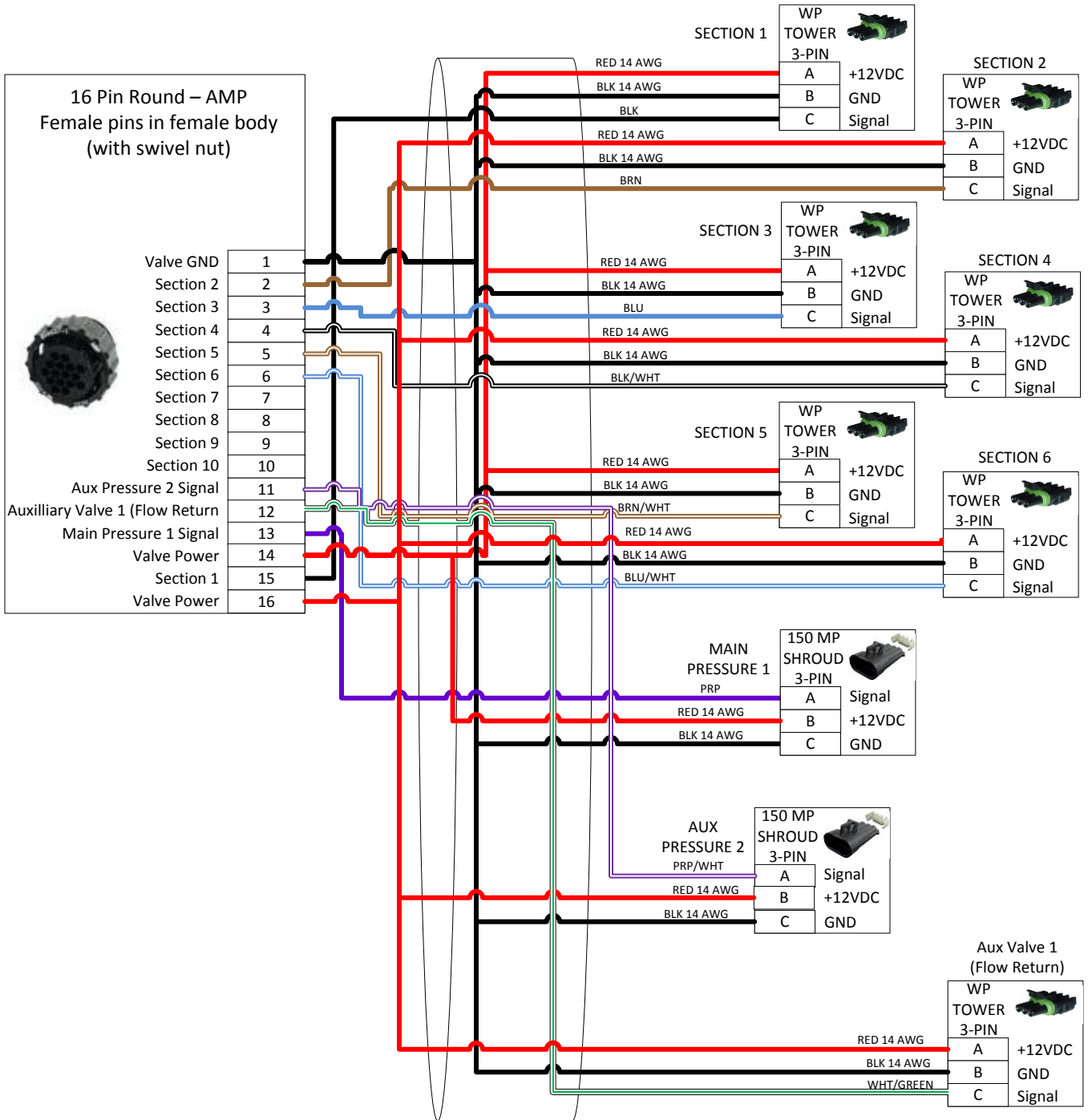
# 207-215466 Y2

## 6 Section Boom Harness w/ 2 Pressure and Auxilliary Valve 1 (Flow Return)

Wire Length: 10'

All wire gauge 18 AWG  
Unless Specified

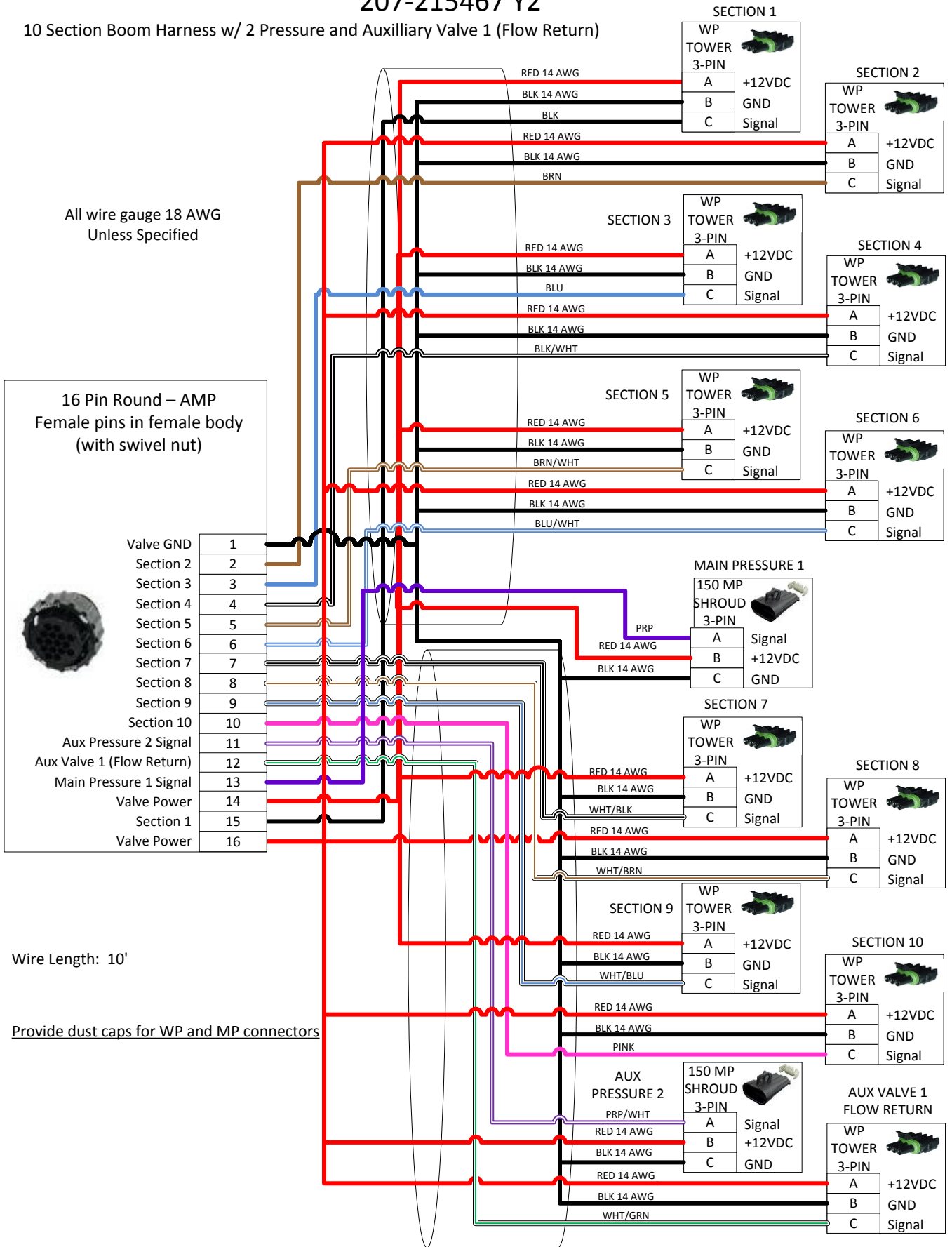
Provide dust caps for WP and MP connectors



	Project:	207-215466 Y2	Drawn By:	Dirk Ricker Rev. by Mark Walters
	Filename:	6 Section Boom Harness w/ 2 Pressure and Aux Valve 1 (Flow Return)	Date:	9/12/2012 08/20/2013
	Copyright 2012-2013 SureFire Ag Systems		Page of Pages	1 of 1

# 207-215467 Y2

10 Section Boom Harness w/ 2 Pressure and Auxillary Valve 1 (Flow Return)



All wire gauge 18 AWG Unless Specified

16 Pin Round – AMP Female pins in female body (with swivel nut)



Wire Length: 10'

Provide dust caps for WP and MP connectors

	Project:	207-215467 Y2	Drawn By:	Dirk Ricker Rev. by Mark Wolters
	Filename:	10 Section Boom Harness w/2 Pressure and Aux Valve 1 (Flow Return)	Date:	9/12/2012 8/26/2013
	Copyright 2012-2013 SureFire Ag Systems		Page of Pages	1 of 1