



396-6612Y1

250 Gallon Fendt Momentum Tank Support Retrofit Kit

Installation Instructions

Kit Number: 530-04-200100

Kit Description: 250 Gallon Fendt Momentum Tank Support Retrofit Kit

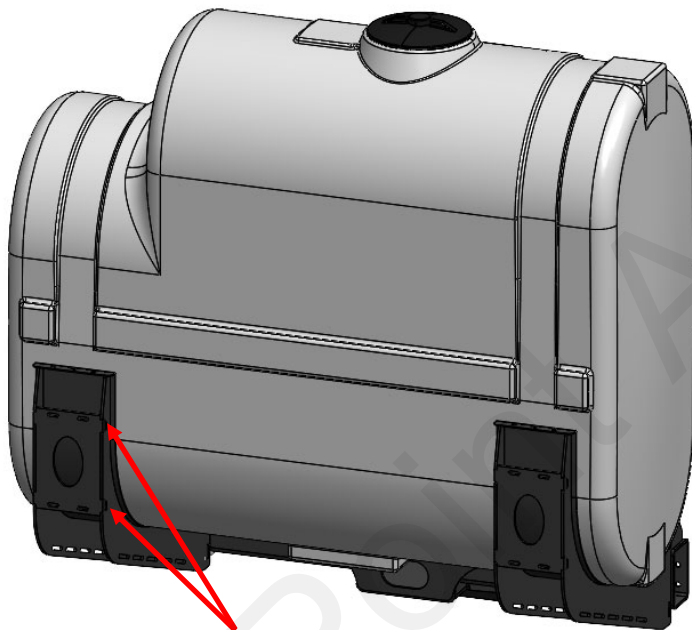


| ITEM NO. | PART NUMBER | DESCRIPTION | QTY. |
|----------|---------------|--|------|
| 1 | 430-6593Y1-BK | Fendt Momentum 250 Gallon Tank Saddle Cross Bar | 1 |
| 2 | 430-6590Y1-BK | Fendt Momentum 250 Gallon Tank Saddle Cross Bar Bolt Plate | 2 |
| 3 | 330-06 | 3/8" Flat Washer | 4 |
| 4 | 330-08 | 1/2" Flat Washer | 4 |
| 5 | 300-080308-5 | 1/2" x 3-1/2" Hex Head Bolt—G5 | 4 |
| 6 | 300-060108-5 | 3/8" x 1-1/2" Hex Head Bolt—G5 | 4 |
| 7 | 323-08 | 1/2" Serrated Flange Nut | 4 |
| 8 | 323-06 | 3/8" Serrated Flange Nut | 4 |

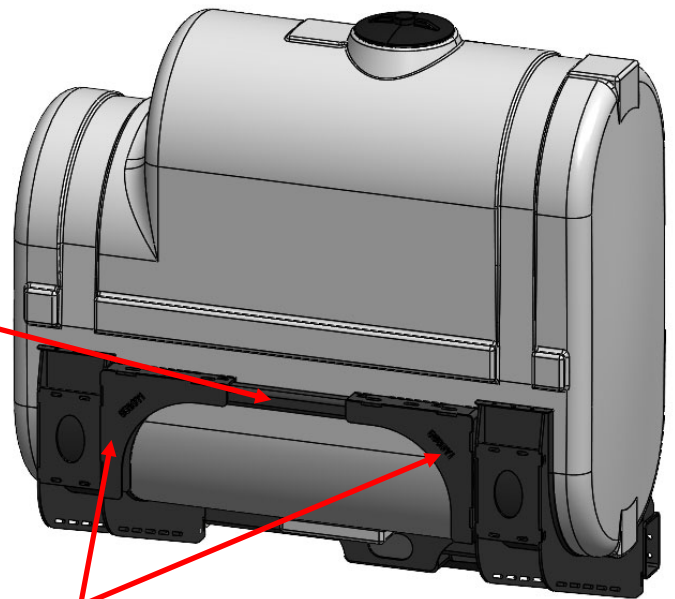


Step by Step Instructions

1. Using the provided 3/8" Hardware, loosely fasten the 6590Y1 bolt plate brackets to the existing saddles using the holes shown.
2. Place the 6593Y1 crossbar into the bolt plate brackets and loosely fasten using the provided 1/2" hardware. You may have to loosen your saddle u-bolts and tank straps to move the saddles in or out based on the initial installation.
3. Repeat the steps on the opposite side of the tank.
4. Tighten all 3/8" mounting hardware, followed by the 1/2" crossbar hardware.



Step 1



Step 2

Step 1