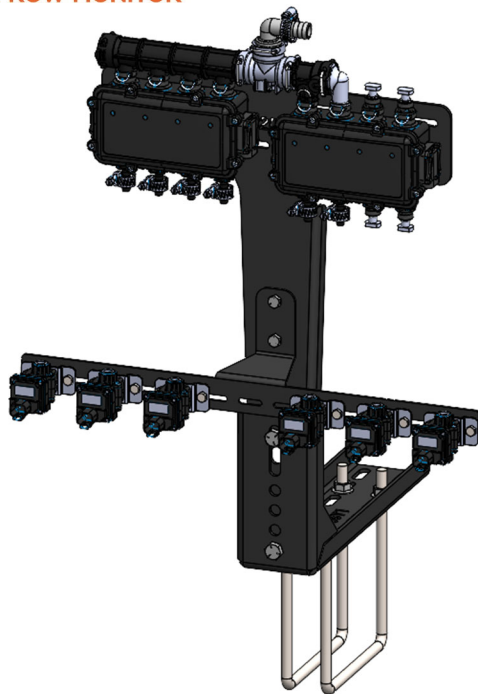




# 396-6581Y1

## Sentinel™ Flowmeter Module Mounting Bracket and Plumbing Kit Installation Instructions For 4 & 6 Row Potato Planters



**Kit Number:**

**570-06-100100: 6 Row Potato Planter  
Plumbing Kit w/ Flow Indicators - CHEM**

**Kit Number:**

**570-06-100200: 6 Row Potato Planter  
Plumbing Kit w/ Sentinel - CHEM**

**Kit Number:**

**570-06-200100: 6 Row Potato Planter  
Plumbing Kit w/ Flow Indicators - FERT**

**Kit Number:**

**570-06-200200: 6 Row Potato Planter  
Plumbing Kit w/ Sentinel - FERT**

**Kit Number:**

**570-04-100100: 4 Row Potato Planter  
Plumbing Kit w/ Flow Indicators - CHEM**

**Kit Number:**

**570-04-100200: 4 Row Potato Planter  
Plumbing Kit w/ Sentinel - CHEM**

**Kit Number:**

**570-04-200100: 4 Row Potato Planter  
Plumbing Kit w/ Flow Indicators - FERT**

**Kit Number:**

**570-04-200200: 4 Row Potato Planter  
Plumbing Kit w/ Sentinel - FERT**



# 4 & 6 Row Parts List

Part #'s	Description	Kit #'s							
		570-04-100100	570-04-100200	570-04-200100	570-04-200200	570-06-100100	570-06-100200	570-06-200100	570-06-200200
101-038038-90	3/8" MPT x 3/8" HB - 90 Degree			8	5			8	8
101-075075075-HB	3/4" HB x 3/4" HB x 3/4" HB Tee			1	1			1	1
101-075075100-HB	3/4" HB x 3/4" HB x 1" HB Tee			1	1			1	1
101-100075	1" MPT x 3/4" HB	1		1		1		1	
103-5016Y1	Zip Valve 1/4" Nylon, 2-way, SS Ball, 3/8" Push to Connect, Deutsch (FY21 Board)	4	4	4	4	6	6	6	6
113-01-038038	Stem to HB - 3/8" Stem x 3/8" HB			8	10			12	14
113-05-038	Plug - 3/8" QC						4		4
113-15-038025-P	Reducing Straight Connector - 3/8" QC x 1/4" QC - polypropolene			8	10			12	20
117-511-0154	Zip Valve SS Bottom Mount Bracket (includes bracket and screws in Ziploc bag)	4	4	4	4	6	6	6	6
120-T1M038QC	Fork Fitting, T1M x 3/8" QC		5				11		4
120-T3FCAP	Fork Fitting, T3F Cap		1		1				
120-T3FT3MT1M	Fork Fitting, T3F x T3M x T1M Modular TEE						1		1
120-T3FTEE	Fork Fitting, T3F TEE						1		1
120-T3MPLUG	Fork Fitting, T3M Plug		1		1		1		1
120-T3MT1M-90	Fork Fitting, T3 Male x T1 Male, 90° Adapter						1		1
120-T3MT3F-4XT1M	Fork Fitting, Manifold, T3M x T3F, 4-Way T1M		1		1		1		1
121-T1M038	Fork Fitting, T1M x 3/8" HB				4				6
121-T3F075	Fork Fitting, T3F x 3/4" HB				1				1
121-T3F075-90	Fork Fitting, T3F x 3/4" HB - 90°		1		1				
121-T3M075-90	Fork Fitting, T3M x 3/4" HB - 90°		1		1		1		1
131-ER95-015	Combo-Jet ER95-015 - Even - Green	6	6			8	8		
131-ER95-02	Combo-Jet ER95-02 - Even - Yellow	6	6			8	8		
133-01-40250-00	50 Mesh Wilger Nozzle Strainer (Blue)	6	6			8	8		
136-04-06QC04QC	Check valve - 4 lb - 3/8" QC Inlet x 1/4" QC Outlet - Diaphragm Style	5	5				7	7	
136-04-200400	Dual 4 PSI check valve with Dual on/off valve - incl end cap, 1/4" QC cap, and 3/8" FPTinlet			5	5			8	8
204-01-4625AAGB1B1	4 Row Electro Magnetic Sentinel Flow Meter (10oz to 202 oz per min per row) .08 - 1.6 GPM		1		1		2		2
207-5838Y1	14-Pin 6 Section Final Cable 6 Sections (Deutsch) - Pressure	1	1	1	1	1	1	1	1
208-06-2909Y2	MultiRow 4 Pin Deutsch CAN Trunkline - 15' with 1 flow meter connector		1		1				
208-06-2910Y2	MultiRow 4 Pin Deutsch CAN Trunkline - 15' with 2 flow meter connectors						1		1
280-038-AG200-100	3/8" AG200 100' Coil			2	1			2	2
280-075-AG200-50	3/4" AG200 50' Coil	1	1	1	1	1	1	1	1
281-038-100	3/8" OD Poly Tubing - 100' Roll	2	2			2	2		



# 4 & 6 Row Parts List (Continued)

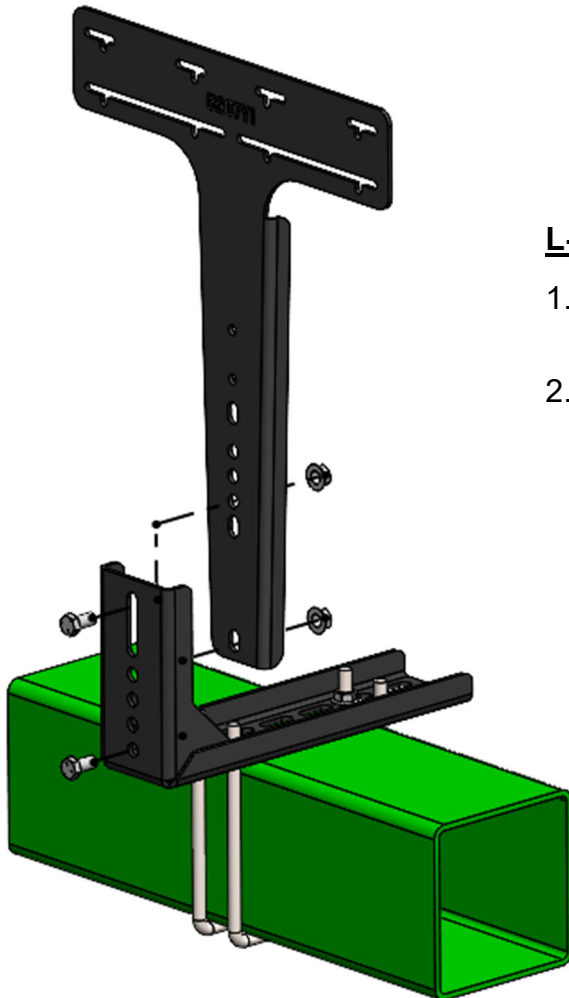
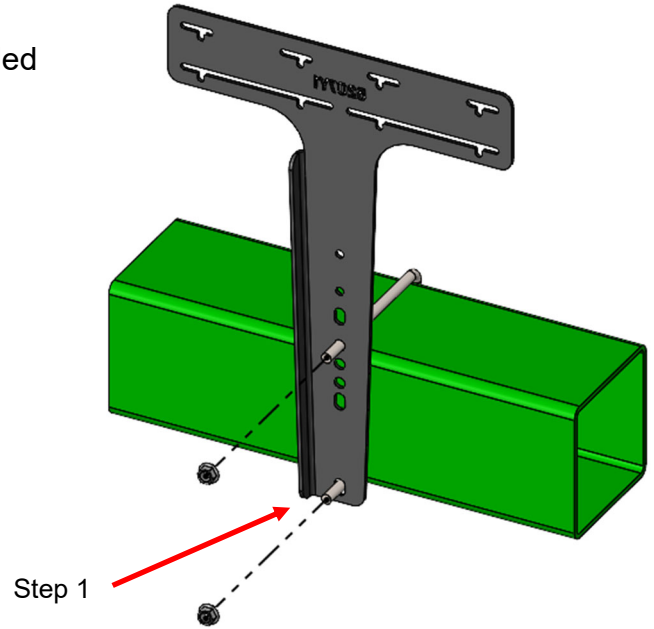
Part #'s	Description	Kit #'s							
		570-04-100100	570-04-100200	570-04-200100	570-04-200200	570-06-100100	570-06-100200	570-06-200100	570-06-200200
282-02-250187-08	Black Metering Tube 1/4" OD x .187" ID - 8' Length			10	10			14	14
282-04-PXC058-L	Black PolyTube Cutter with a Red Spring Leash	1	1			1	1		
300-040008-SS	1/4" x 1/2" Hex Head Bolt - SS	8	8	12	8	12	12	12	12
300-060012-SS	3/8" x 3/4" Hex Head Bolt - SS		2		2		2		2
300-060108-SS	3/8" x 1-1/2" Hex Head Bolt - Stainless Steel	2		2		2		2	
300-080012-5	1/2" x 3/4" Hex Head Bolt - G5	2	2	2	2	2	2	2	2
321-08-F	1/2" Nylon Flange Nut	2	2	2	2	2	2	2	2
323-04-SS	1/4" Flange Nut - SS	8	8	12	8	12	12	12	12
323-06-SS	3/8" Flange Nut - SS	2	2	2	2	2	2	2	2
350-0605	SS Hose Clamp - Size 6 - 7/8" Diameter (fits 3/8" and 1/2" AG200)			80	32			80	62
350-1208	SS Hose Clamp - Size 12 - 1-1/4" Diameter (fits 3/4" AG200)	2	2	2	2	6	6	2	2
350-1608	SS Hose Clamp - Size 16 - 1-1/2" Diameter (fits 1" AG200)			4	4			4	4
353-15	15" Zip Tie	4	4	4	4	4	4	4	4
380-1001	1/2" U-bolt Kit - fits 7" x 7" tube - (7" opening ) includes flange nuts	2	2	2	2	2	2	2	2
384-1003	Hardware Kit - Wilger Mounting Bolts	1				2			
384-1105	Hardware Kit - Qty 4 of 5/16" Hex Cap Bolts and Flange Nuts for Sentinel Flow meter		1		1		2		2
396-001670	SurePoint Flow Indicator w/ Dual Metering Tube Plumbing Kits Instruction Sheet			1				1	1
396-001730	Flow Indicators, Orifice Charts and Check Valve Manual	1				1			
399-PM80128	128 oz Calibration Pitcher with SurePoint Logo	1	1	1	1	1	1	1	1
399-RSTB-2	Rectorseal Tru Blue - 2 oz Tube	1	1	1	1	1	1	1	1
400-1037A1-BK	Wilger Manifold Mini, 6 Rows	1		1		1		1	
400-1138A1-BK	Dual Product add-on Bracket for 12 Row Wilger Bracket	1	1	1	1	1	1	1	1
400-2011A1-WH	Small Flow Indicator Bracket White Backer Plate	1		1		1		1	
400-3985Y1-BK	Flow Indicator Offset L Bracket	1	1	1	1	1	1	1	1
400-4959Y1-BK	Sentinel Mounting Bracket - 4 Row		1		1				
400-5207Y1-BK	Sentinel Mounting Bracket - 8 Row						1		1
515-01-100250	Mounting Bracket Kit, BK Toolbar Dual Check Valve, 4 Row			1	1			2	2
701-20460-940	Wilger Flow Indicator - Single Column with 3/8" QC - 90 Degree Outlet	4				6			
701-20460-950	Wilger Flow Indicator - Single Column with 3/8" HB - 90 Degree Outlet			4				6	
701-20513-00	ORS x 3/4" HB - 90 Degree	1		1		1		1	
701-20521-00	Wilger End Cap	2		2		2		2	
701-20525-00	ORS Male x ORS Male x 1" FPT - Tee	1		1		1		1	
701-41256-00	Combo-clip FE x 3/8" NPTF x 3/4" SQ. Mount Adapter Assy			2	2			2	2

# Step by Step Instructions

## T-Bracket Mounting

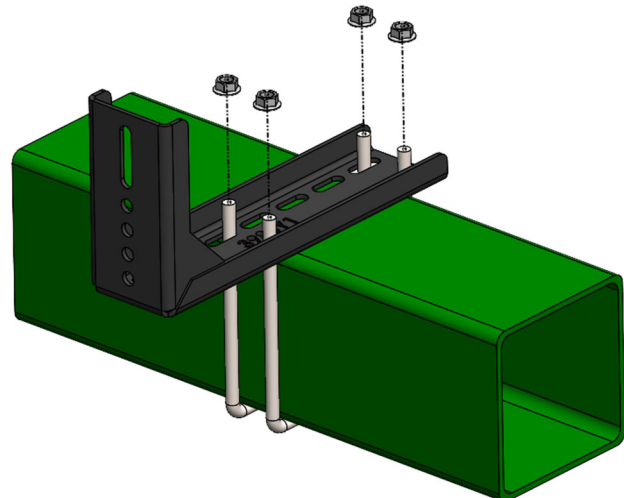
1. Attach T-Bracket to implement frame using included U-bolt and check for clearance.

Note: All T-brackets mount in the same manner.



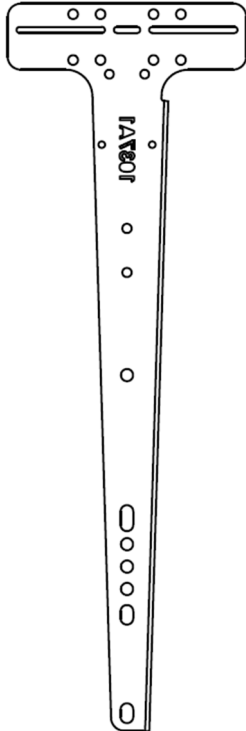
## L-bracket and T-Bracket Mounting

1. Attach 3985Y1 to implement using included U-Bolts and check for clearance.
2. Attach T-Bracket to 3985Y1 using included 1/2"x1" bolts as shown.

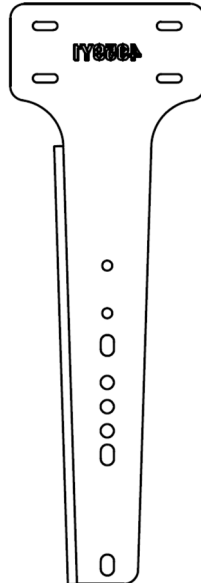




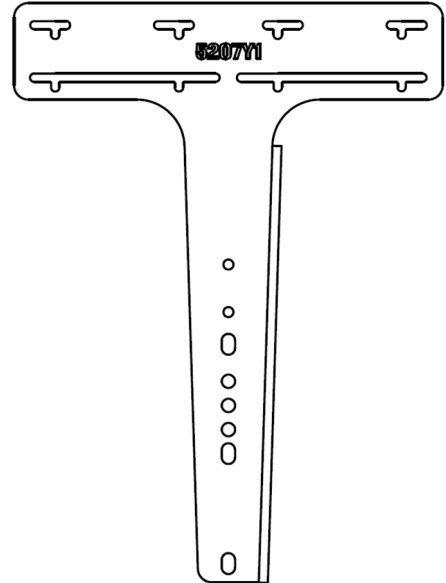
# Step by Step Instructions



Used in:  
570-06-100100  
570-06-200100  
570-04-100100  
570-04-200100



Used in:  
570-04-100200  
570-04-200200

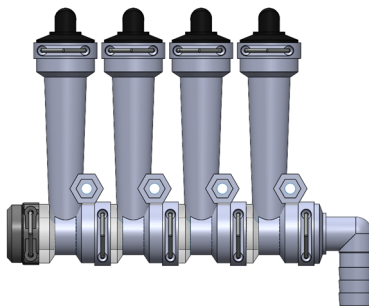


Used in:  
570-06-100200  
570-06-200200

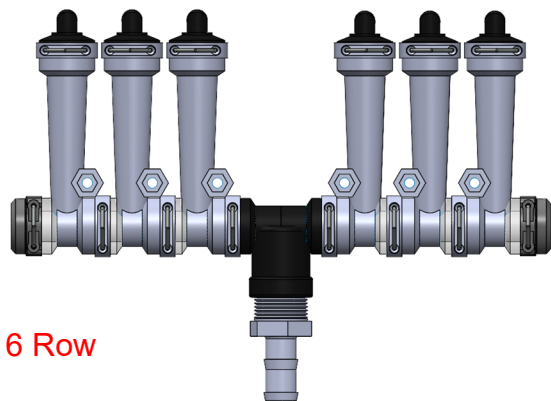
## Flow Indicator Manifold Assembly:

1. Assemble Manifold in the same configuration as the pictures Below, corresponding with the number of Row you have.

Note: All Flow Indicator Kits come with 90 degree Hose Barb to replace the TEE and Strait Hose Barb for different configuration.



4 Row



6 Row

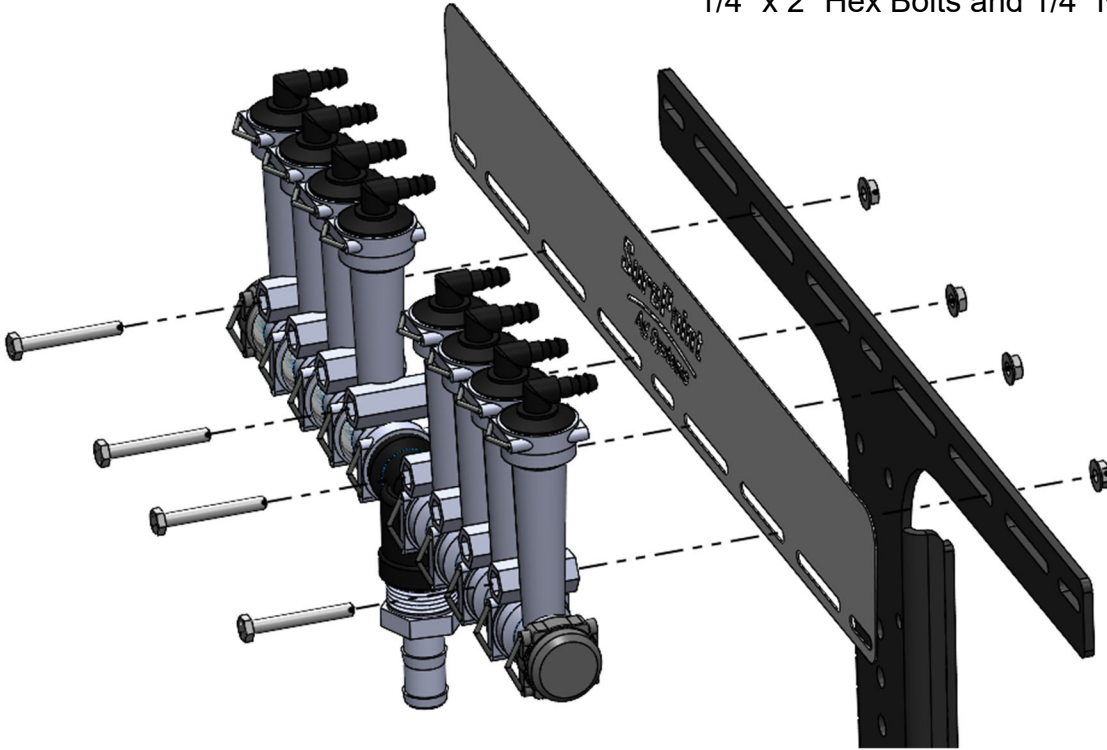


# Step by Step Instructions

Kit shown: 570-06-100200

## Flow Indicator Mounting:

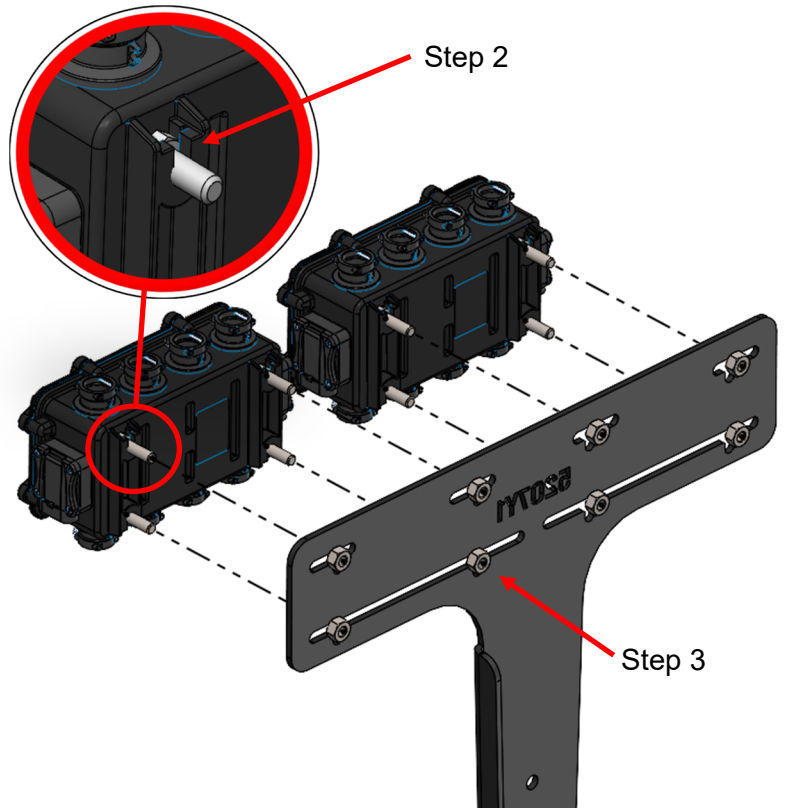
1. Attach flow indicator and white backer plate using 1/4" x 2" Hex Bolts and 1/4" Nuts as shown.



## Sentinel™ Flowmeter Module Mounting

1. Insert head of 5/16" bolts into flowmeter integrated holes as shown.
2. Attach Sentinel™ Flowmeter Module to T-Bracket and tighten flange nuts as shown. Do not overtighten.

*Note: 5/16" bolts and flange nuts are included with separate flowmeter kit.*

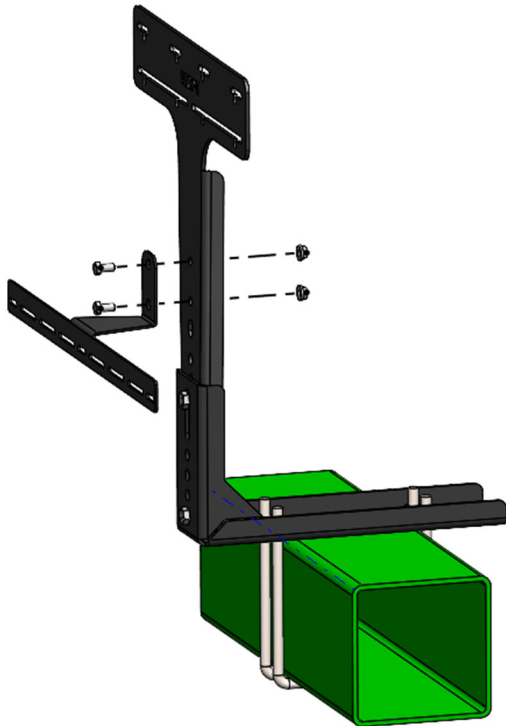




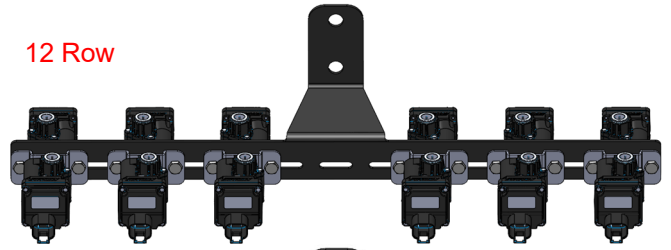
# Step by Step Instructions

## Add-On Bracket Mounting

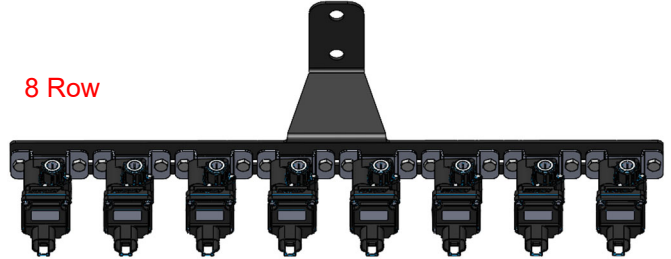
1. Attach 400-1138A1 as shown in the picture Using Included 3/8" x 3/4" Bolts and 3/8" Nuts.



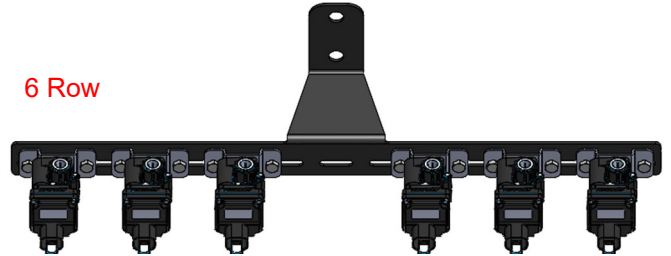
12 Row



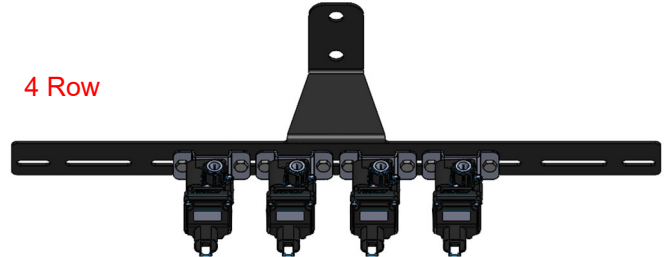
8 Row



6 Row



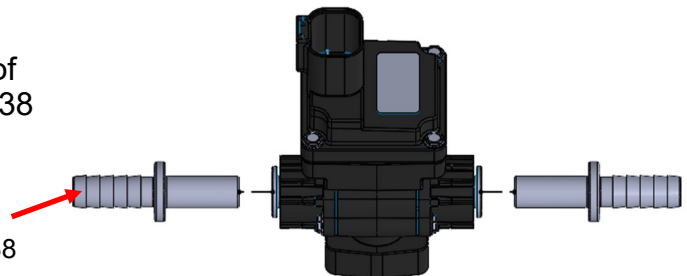
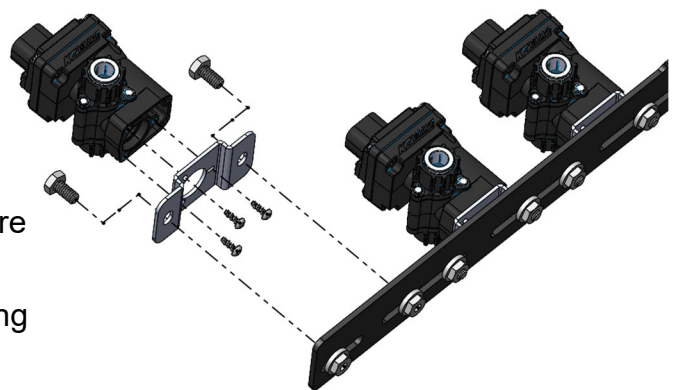
4 Row



## Zip Valve mounting

1. Using Zip valve stainless steel bottom mounting bracket and included screws, Fix the bracket to the bottom of the zip valve as shown, making sure not to over tighten screws.
2. Attach Zip valve and Bracket to 400-1138A1 using 1/4" x 1/2" Bolt and 1/4" Nuts.
3. Repeat steps 1 and 2 to mount all Zip Valves.

Note: Zip valves in kits using hose barbs instead of QC Fittings Zip valves are fitted with 113-01-038038 as shown in the picture.



113-01-038038



# Step by Step Instructions

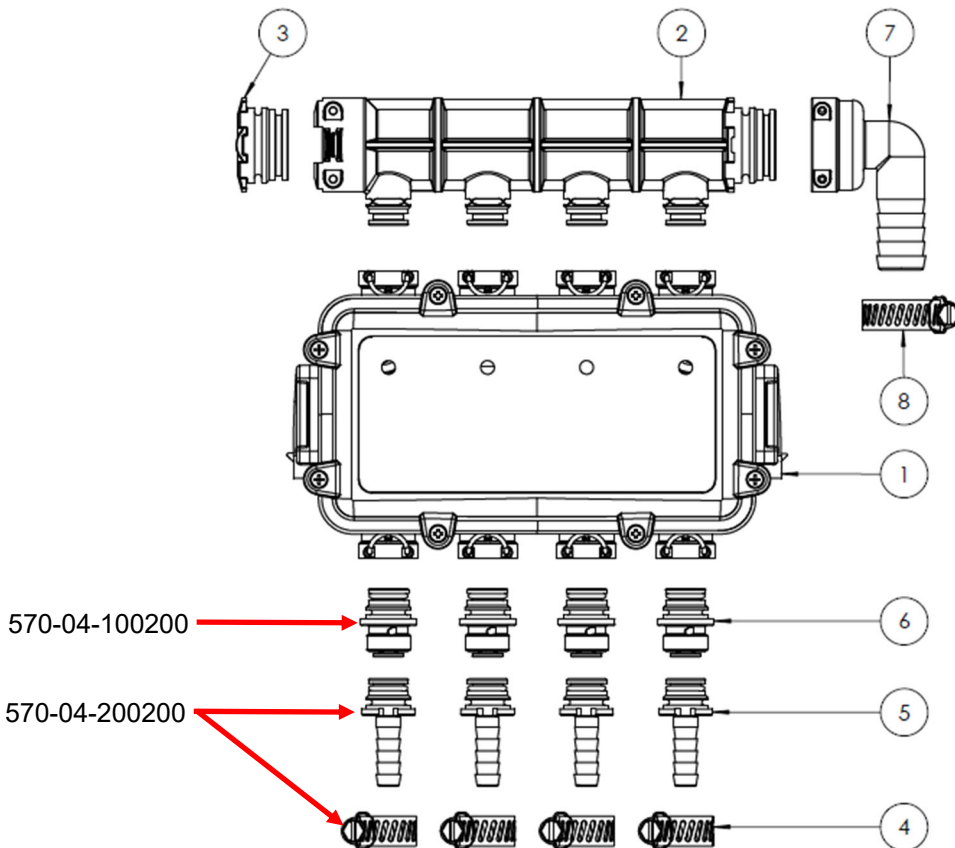
**Kit Number:**

**570-04-100200: 4 Row Potato Planter Plumbing Kit w/ Sentinel - CHEM**

**Kit Number:**

**570-04-200200: 4 Row Potato Planter Plumbing Kit w/ Sentinel - FERT**

ITEM NO.	PART NUMBER	DESCRIPTION	QTY.
1	204-01-4625AAGB1B1	Sentinel™ Flowmeter Module	1
2	120-T3MT3F-4XT1M	T3 Male/Female Manifold w/ (4)T1 Male Outlets	1
3	120-T3MPLUG	T3 Male FC Plug	1
4	350-0605	SS Hose Clamp - Size 6 - 7/8" Diameter	4
5	121-T1M038	T1 Male FC x 3/8" HB	4
6	120-T1M038QC	T1 Male x 3/8" QC	4
7	121-T3M075-90	T3 Male FC x 3/4" HB - 90 degree	1
8	350-1208	SS Hose Clamp - Size 12 - 1-1/4" Diameter	1







# Step by Step Instructions

**Kit Number:**

**570-06-100200: 6 Row Potato Planter Plumbing Kit w/ Sentinel - CHEM**

**Kit Number:**

**570-06-200200: 6 Row Potato Planter Plumbing Kit w/ Sentinel - FERT**

ITEM NO.	PART NUMBER	DESCRIPTION	QTY.
1	204-01-4625AAGB1B1	Sentinel™ Flowmeter Module	1
2	120-T3MT3F-4XT1M	T3 Male/Female Manifold w/ (4)T1 Male Outlets	1
3	120-T3MT1M-90	Fork Fitting, T3 Male x T1 Male, 90 Degree Adapter	1
4	120-T3FTEE	T3 Tee	1
5	120-T3MPLUG	T3 Male FC Plug	1
6	121-T3F075-90	T3 Female FC x 3/4" HB - 90 Degree	1
7	120-T1M038QC	T1 Male x 3/8" QC	4
8	120-T3FT3MT1M	Fork Fitting, T3F x T3M x T1M Modular TEE	1
9	120-T1MNIP	ARAG T1M MALE NIPPLE	
10	113-05-038	Plug - 3/8" QC	
11	121-T1M038	T1 Male FC x 3/8" HB	4
12	350-0605	SS Hose Clamp - Size 6 - 7/8" Diameter	4
13	350-1208	SS Hose Clamp - Size 12 - 1-1/4" Diameter	1

