



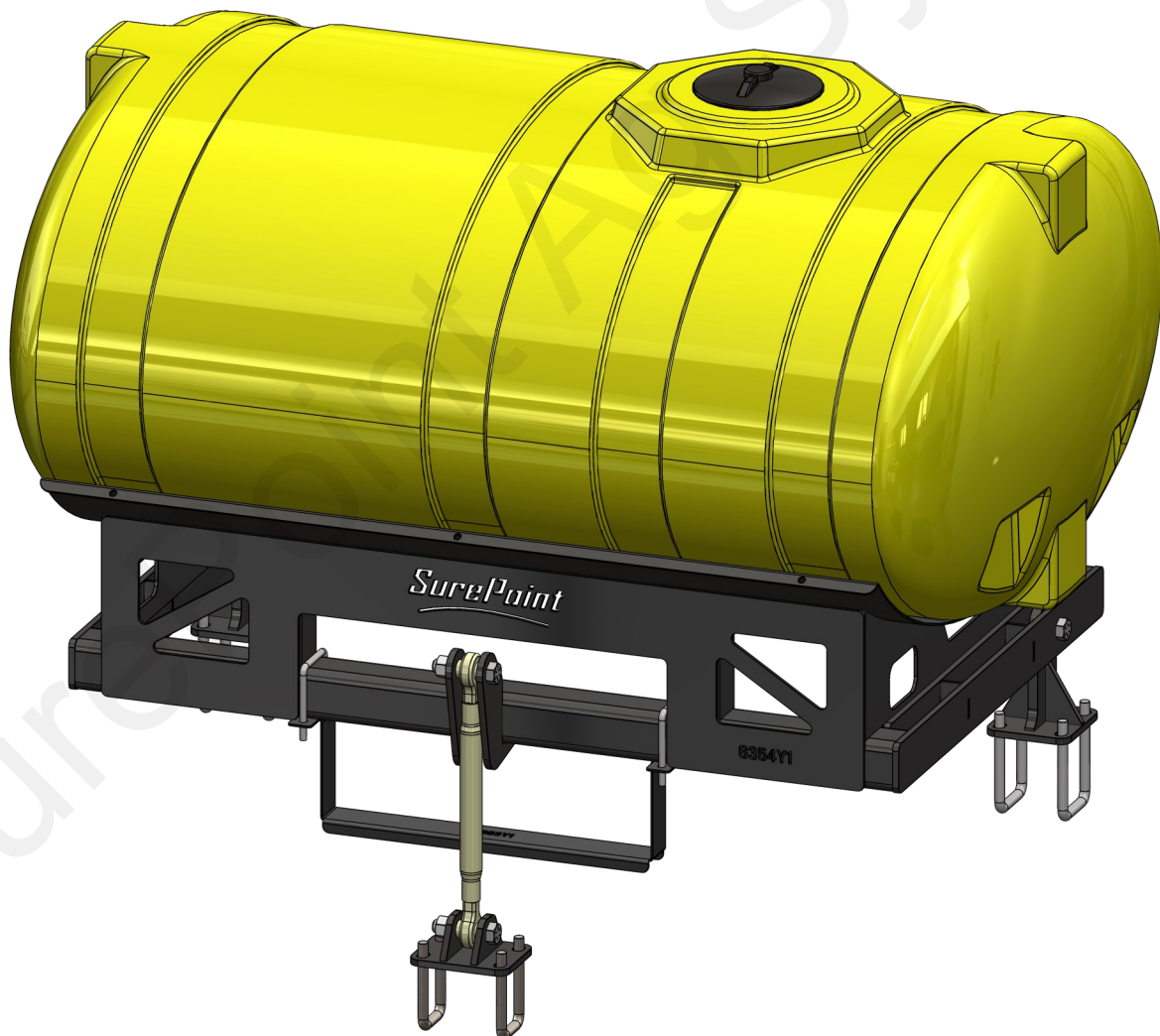
# 396-6362Y1

## John Deere N543F 500 Gallon Hitch Mounted Tank Kit Installation Instructions

Air Seeder Manufacturer: **JOHN DEERE**

Kit Number: 551-03-200200

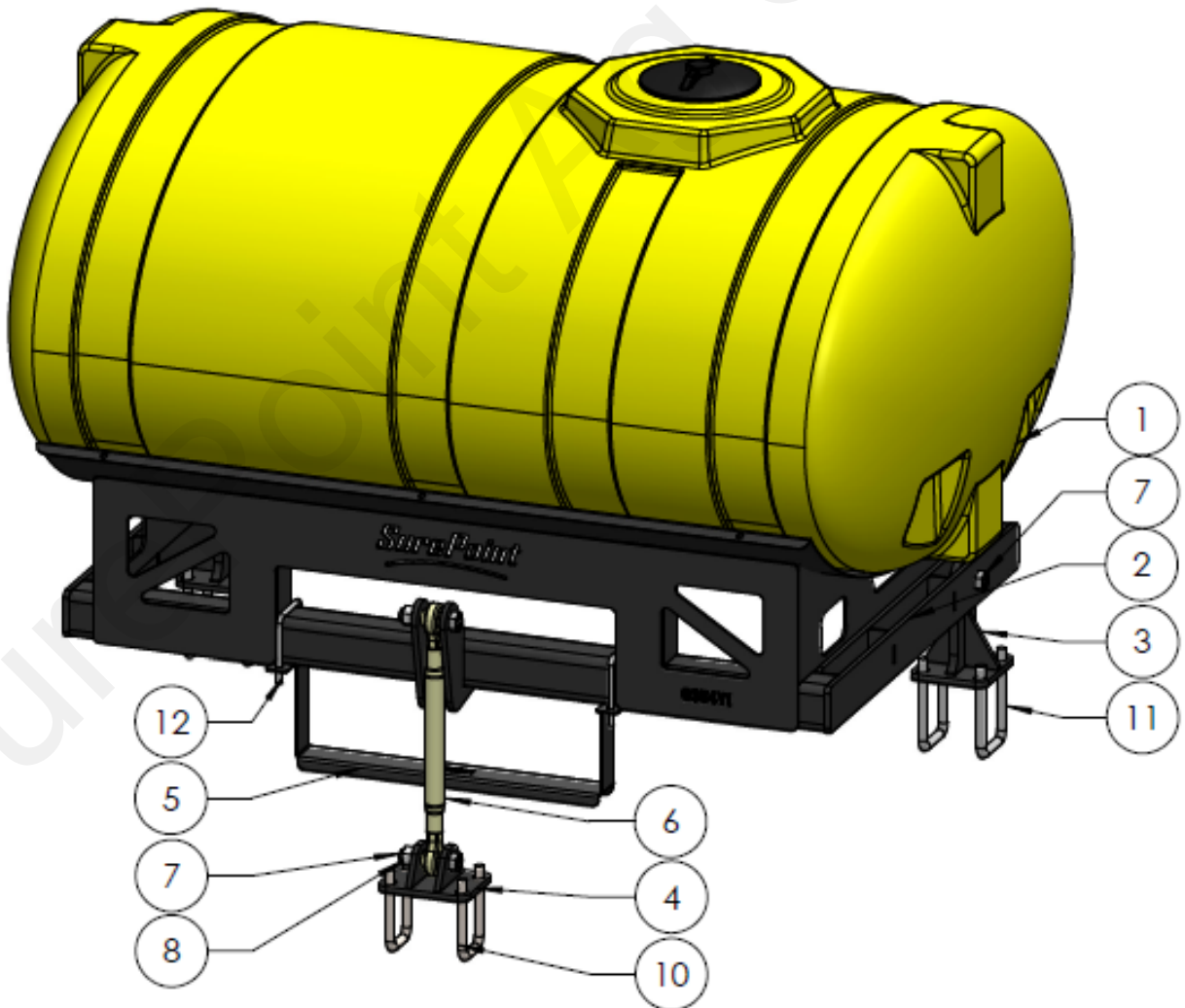
Kit Description: John Deere N543F 500 Gallon Hitch Mount Tank Kit





# Parts List and Exploded View

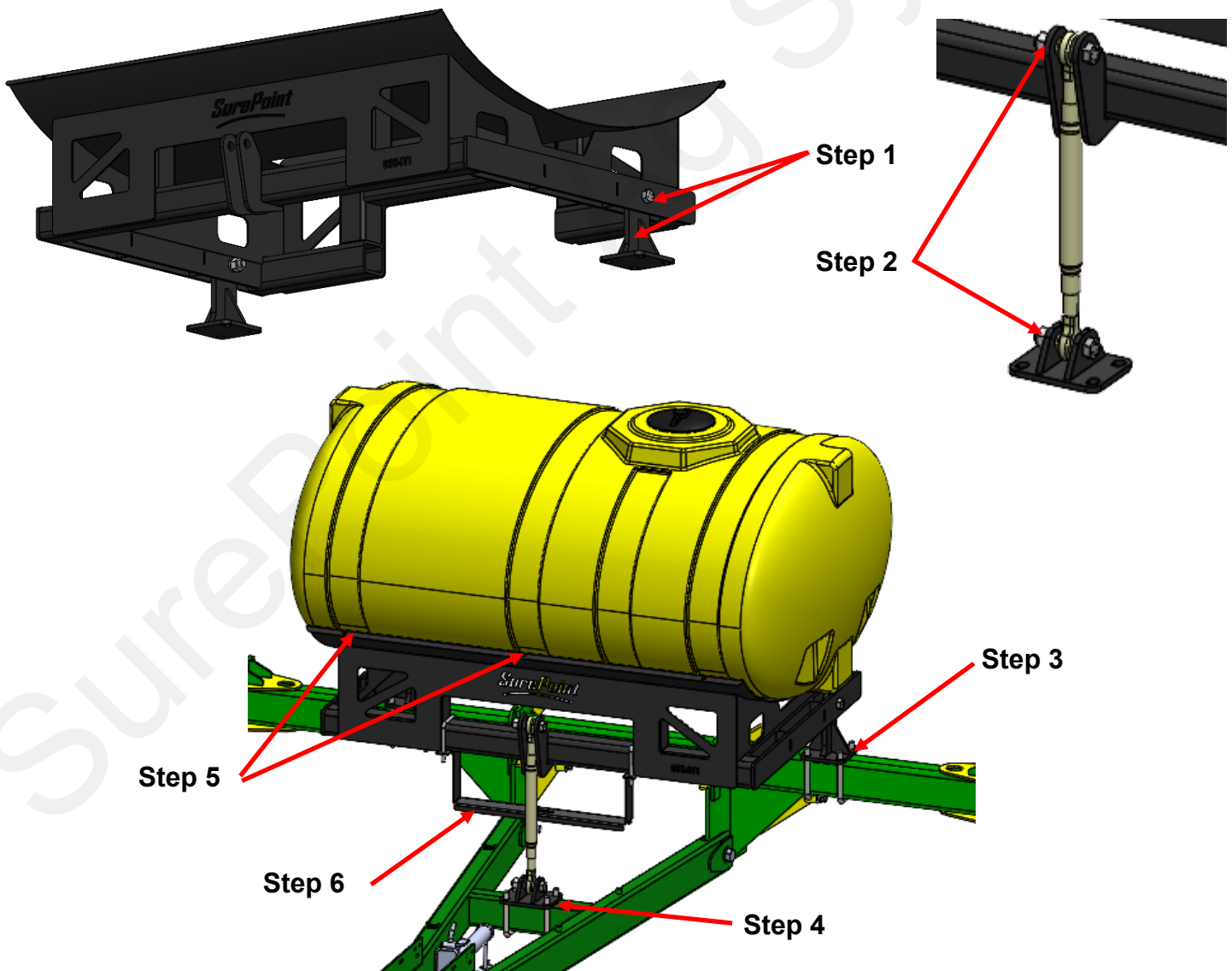
ITEM NO.	PART NUMBER	DESCRIPTION	QTY.
1	727-01-HE0500-57-OS-Y	500 Gallon Elliptical Tank—Yellow	1
2	455-6354Y1-BK	John Deere N543F 500 Gal Tank Cradle	1
3	455-6359Y1-BK	John Deere N543F 500 Gal Cradle Pivot	2
4	455-1309A1-BK	John Deere Air Seeder Front Tank Mount Support	1
5	455-6363Y1-BK	John Deere N543F 500 Gal Cradle Seed Hose Support	1
6	399-TL173	Cat 2, 1" Bore Swivel Ball	1
7	300-160408-8	1" x 4-1/2" HCS G8	4
8	320-16-8	1" Hex Nut—G8	4
9	331-16	1" Lock Washer	4
10	380-1061	3/4" U-Bolt Kit - Fits 3" x 5" Tube	2
11	380-1062	3/4" U-Bolt Kit - Fits 4" x 6" Tube	4
12	380-1023	1/2" U-Bolt Kit - Fits 4" x 4" Tube	2
13	525-3000	Tank Straps, 3" Kit, 400-750 Gallon	3





# Step by Step Instructions

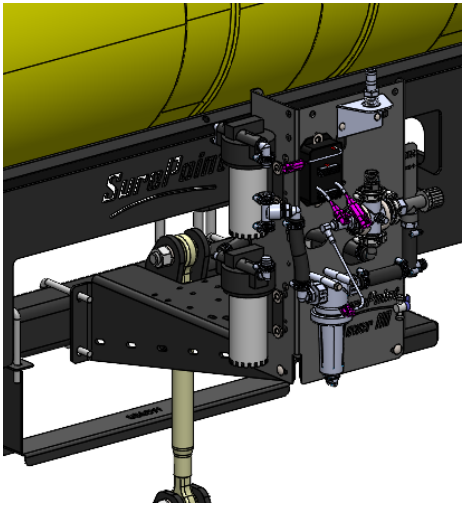
1. Bolt the Tank Pivot brackets to the Cradle using the provided 1" bolts, nuts, and lock washers. Tighten the 1" hardware.
2. Bolt the Top Link to the cradle using the provided 1" bolts, nuts and lock washers. Bolt the Front Tank Support to the Top Link using the remaining 1" hardware. Tighten the 1" hardware.
3. Place the Cradle on to the top hitch crossbar. Loosely bolt the Tank Pivots to the crossbar using the 380-1062 U-Bolts.
4. Loosely bolt the Front Tank Support to the main hitch crossbar using the 380-1061.
5. Place the tank in the cradle and fasten using the provided 3" tank strap kits.
6. Mount the Seed Hose Support bracket to the Cradle using the 380-1023 U-Bolts, making sure to route all seed hoses through the bracket under the Cradle. Tighten the U-Bolts.
7. Adjust top link to proper length and tighten all U-Bolts. Make final adjustment to top link when the seeder is attached to the tractor. Level out the tank and cradle.



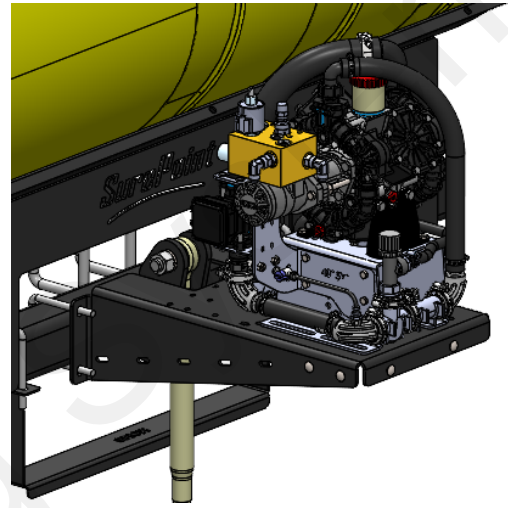


# Optional/Related Items

**Tower and PumpRight Mount Kit: 515-03-201050**  
**Instruction Sheet for this Kit: 396-2647Y1**

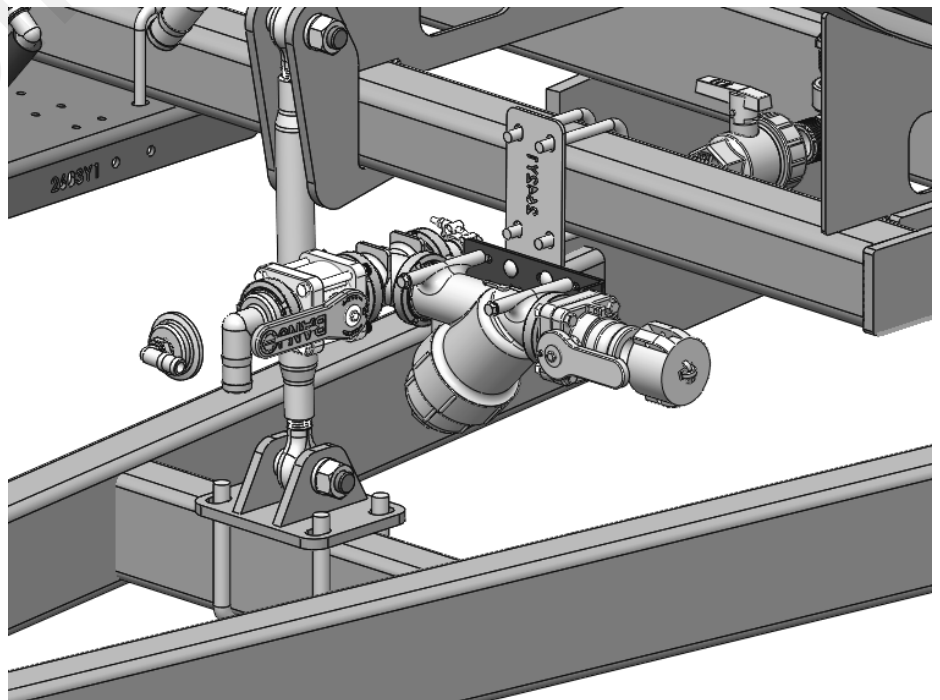


Tower pumps are fed with 3/4" hose from the valve in the plumbing kit below.



PumpRight pumps are fed with 1-1/2" hose from the valve in the plumbing kit below

**Tank Fill and Discharge Kit**  
**Kit Number: 555-101250**  
**Instruction sheet for this kit: 396-2623Y1**



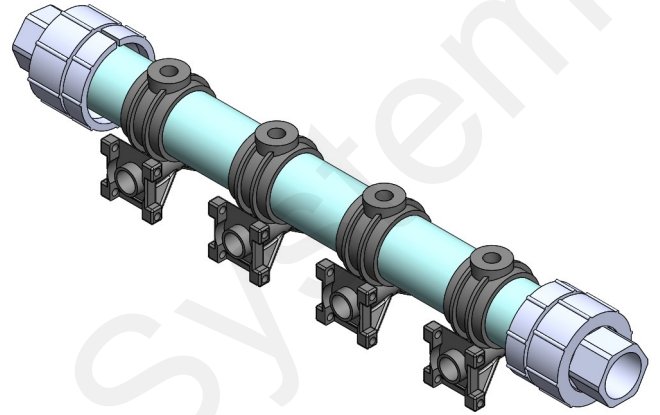


## Optional/Related Items

### Manifold Kits:

Instruction sheet for these kits: **396-2620Y1**

<b>553-03-30000:</b>	30' 7.5" spacing
<b>553-03-30500:</b>	30' 10" spacing
<b>553-03-36000:</b>	36' 7.5" spacing
<b>553-03-36500:</b>	36' 10" spacing
<b>553-03-40000:</b>	40' 7.5" spacing
<b>553-03-40500:</b>	40' 10" spacing
<b>553-03-42000:</b>	42.5' 7.5" spacing
<b>553-03-42500:</b>	42.5' 10" spacing



### The Fin:

Instruction Sheet **396-2624Y1**

**272-01-FIN60/90-L**  
**272-01-FIN60/90-R**

