

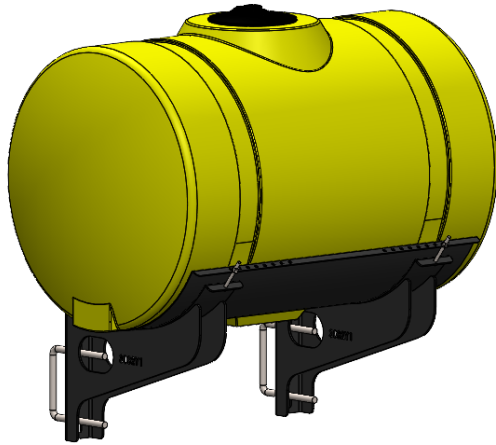


396-5617Y1

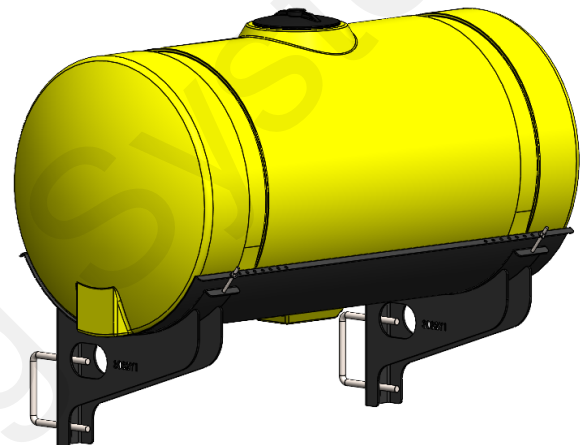
Tank Kits for

John Deere Applications

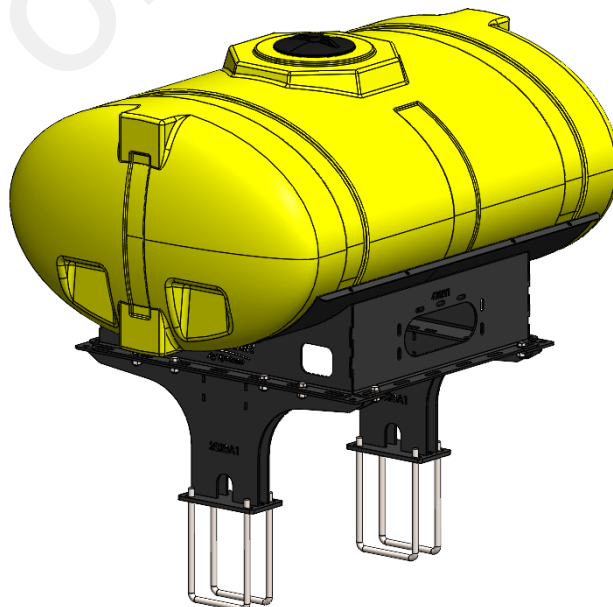
Kit Number: 530-01-025150



Kit Number: 530-01-025200



Kit Number: 530-01-025300

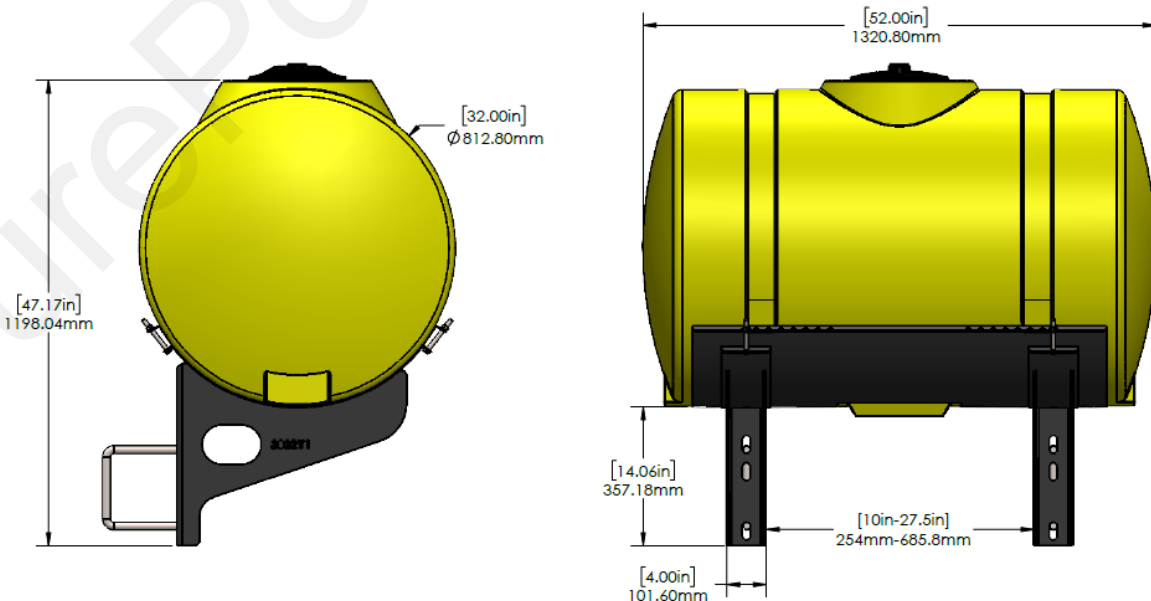
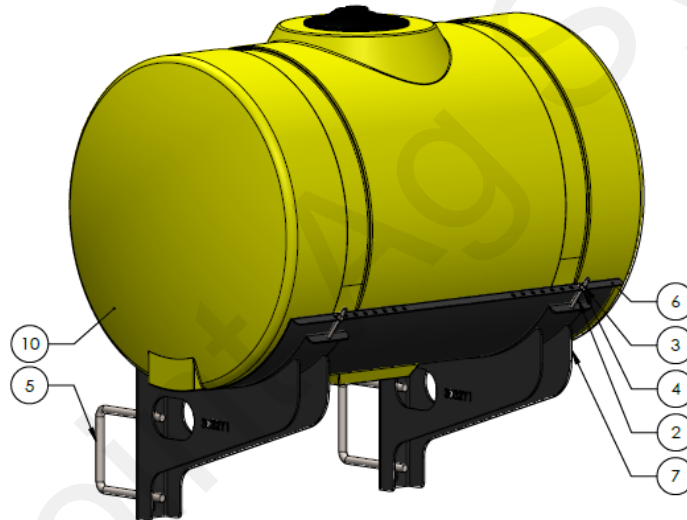




Parts List and Install Dimensions

530-01-025150

ITEM NO.	PART NUMBER	DESCRIPTION	QTY.
1	280-075-AG200	3/4" AG200 Bulk	20
2	300-060400-5	3/8" x 4" Hex Head Bolt - G5	8
3	321-06	3/8" Nylock Nut	8
4	330-06	3/8" Flat Washer	8
5	380-1060	3/4" U-Bolt Kit - fits 7" x 7" tube (7" opening) includes Flat & Lock Washers, Nuts	4
6	420-3003Y1-BK	150 Gallon Round - 32"Ø - Tank Support Sheet	2
7	420-3032Y1-BK	Offset Bar Mount Saddle for 32"Ø Tank	4
8	521-00-100290	Tank Overflow Assembly Bag for Two Tanks (Wing Tanks)	1
9	525-2055	2" Tank Strap Kit for Tanks under 300 Gallon	4
10	727-02-HZ0150-32-Y	Horizontal Tank - 150 Gal - Yellow - 32" x 52"	2

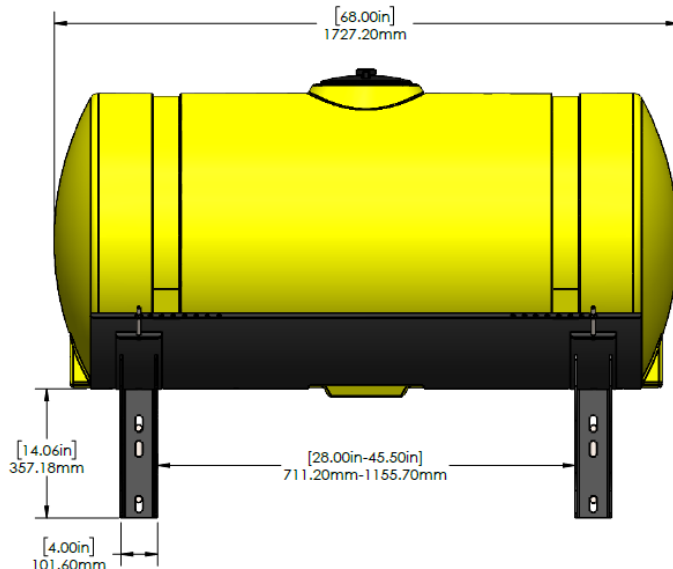
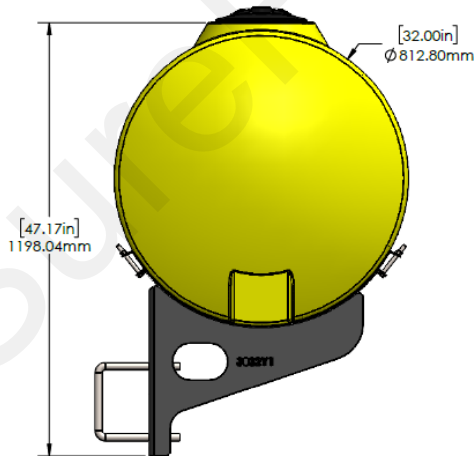
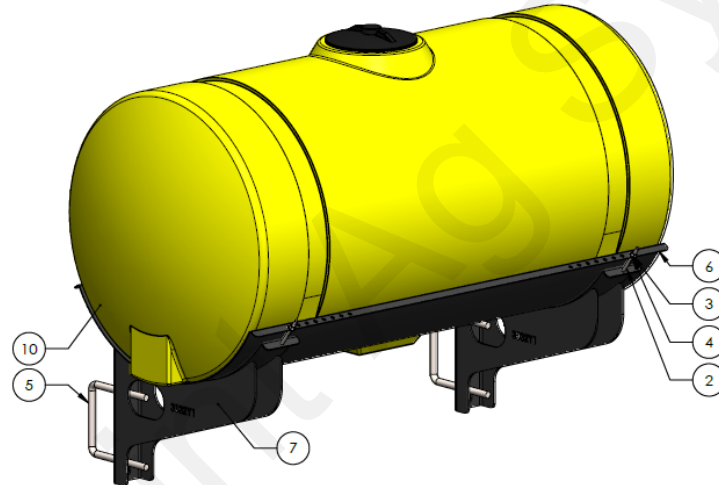




Parts List and Install Dimensions

530-01-025200

ITEM NO.	PART NUMBER	DESCRIPTION	QTY.
1	280-075-AG200	3/4" AG200 Bulk	20
2	300-060400-5	3/8" x 4" Hex Head Bolt - G5	8
3	321-06	3/8" Nylock Nut	8
4	330-06	3/8" Flat Washer	8
5	380-1060	3/4" U-Bolt Kit - fits 7" x 7" tube (7" opening) includes Flat & Lock Washers, Nuts	4
6	420-3002Y1-BK	200 Gallon Round Tank Support Sheet	2
7	420-3032Y1-BK	Offset Bar Mount Saddle for 32"Ø Tank	4
8	521-00-100290	Tank Overflow Assembly Bag for Two Tanks (Wing Tanks)	1
9	525-2055	2" Strap Kit for Tanks under 300 Gallons	4
10	727-02-HZ0200-32-Y	Horizontal Tank - 200 Gal - Yellow - 32" x 68"	2

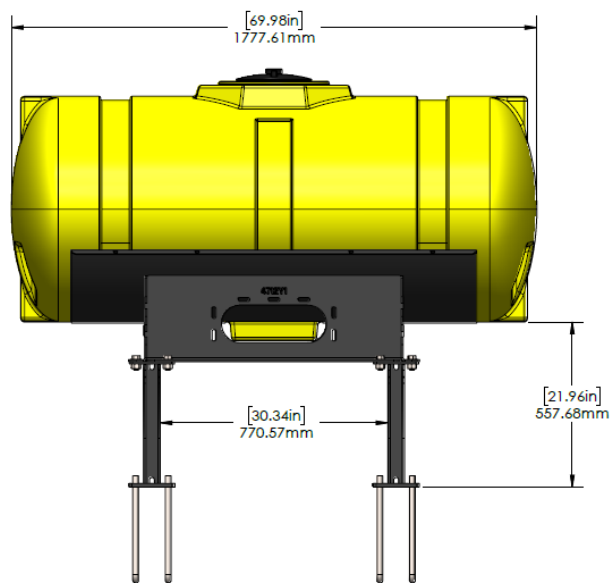
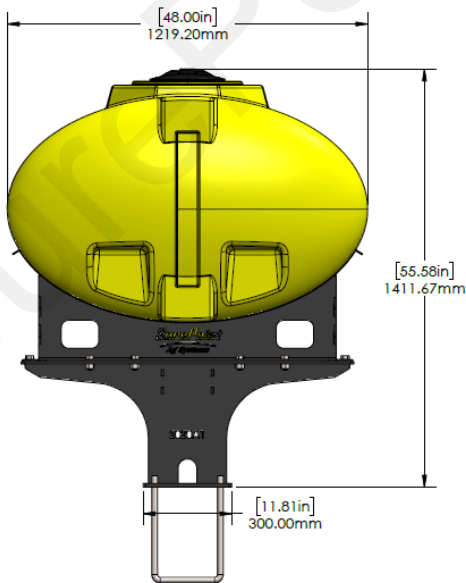
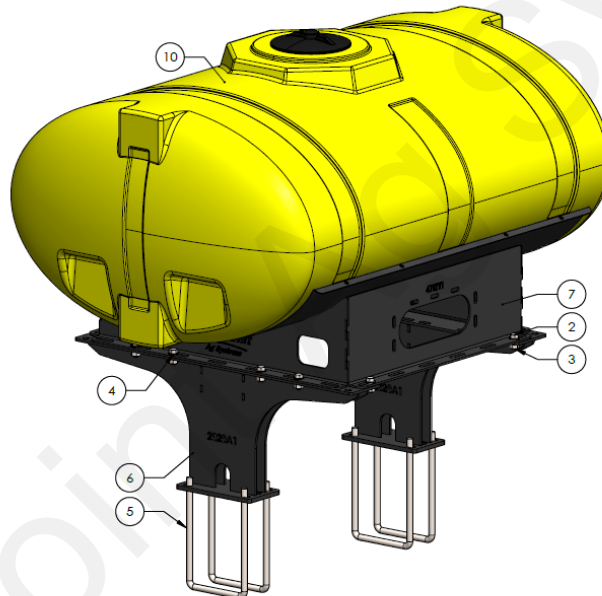




Parts List and Install Dimensions

530-01-025300

ITEM NO.	PART NUMBER	DESCRIPTION	QTY.
1	280-075-AG200	3/4" AG200 Bulk	10
2	300-100108-5	5/8" x 1-1/2" Hex Head Bolt - G5	12
3	323-10	5/8" Flange Nut	12
4	330-10	5/8" Flat Washer	12
5	380-1066	3/4" U-Bolt Kit - fits 8" x 12" tube - (8" opening) - includes Flat & Lock washers, Nuts	4
6	421-2020A1-BK	Planter Hitch Mount for Tank Cradle (400 or 500 gallon)	2
7	421-4712Y1-BK	300 Gallon Elliptical Cradle	1
8	521-00-100280	Tank Overflow Assembly Bag for 150-300 Gallon Tanks	1
9	525-2055	2" Strap Kit for Tanks under 300 Gallon	2
10	727-01-HE0300-48-Y	300 Gallon Elliptical Tank - Yellow	1





Step by Step Instructions

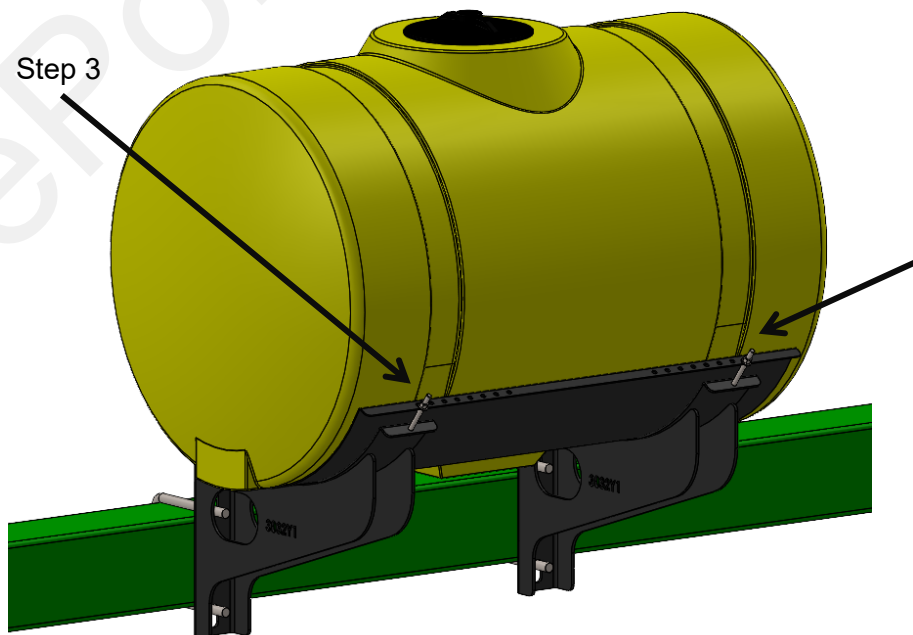
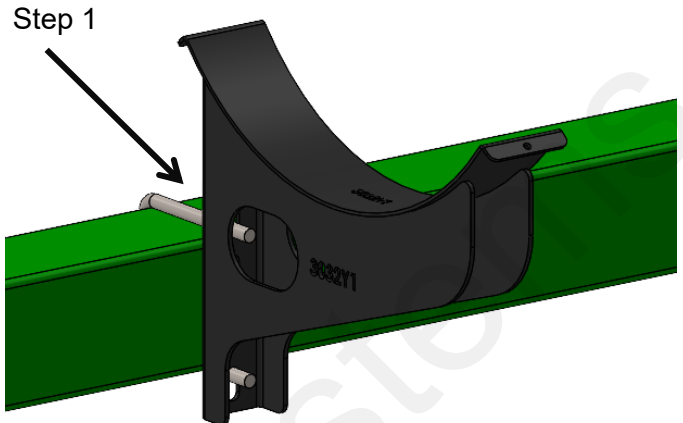
Offset Bar Mounted Tanks

1. Loosely mount 420-3032Y1 to bar using the provided u-bolt kits. *Repeat for second saddle.*
2. Secure support sheet (150 / 200 Gal) to both saddles using four (4) 3/8" x 4" hex head bolts, washer, and nuts.
3. Install and secure tank (150 / 200 Gal) using provided tank straps. *Repeat steps 1-3 for second tank.*
4. Tighten all bolts after checking for clearance and obstructions.

Tighten tank straps once again after filling tank.

Suggested Kit: 520-00-102100

Fill Kit - 2" Flange Fill Kit for 2 tank includes 20' of 2" hose & 40' of 1-1/2" hose. *Refer to 396-2886Y1 for components and installation.*





Step by Step Instructions

Hitch Mounted Tanks - 530-01-025300

1. Loosely mount 421-2020A1 to hitch using the provided u-bolt kits. *Repeat for second pedestal.*
2. Loosely mount 421-4712Y1 to both pedestals using twelve (12) 5/8" x 1-1/2" hex head bolts, washers, and flange nuts.
3. Install and secure tank using provided tank straps.
4. Tighten all bolts down after checking for clearance and obstructions.

Tighten tank straps once again after filling tank.

