



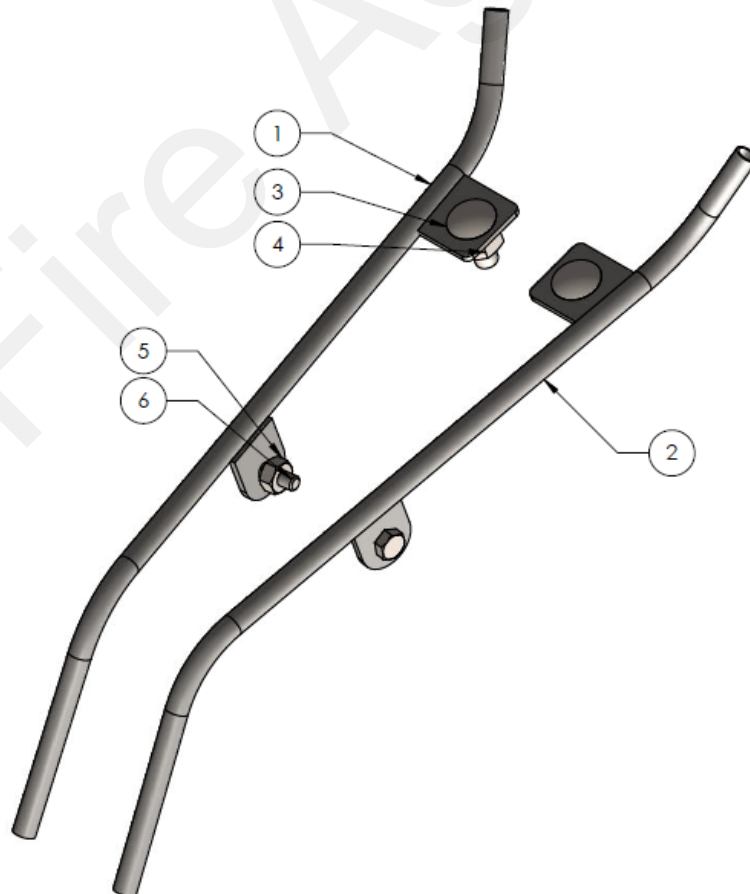
396-5495Y1

Kinze 3000/4000 Dual SS Out The Back Tube Installation Instructions

Planter Manufacturer: **KINZE**

Kit Number: 270-300400

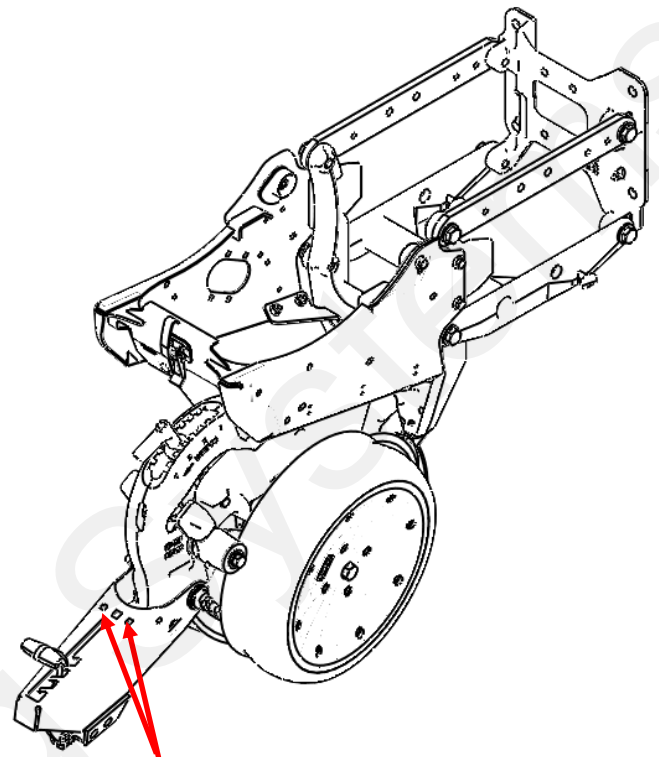
ITEM NO.	PART NUMBER	DESCRIPTION	QTY.
1	270-4952Y1	Kinze 3000/4000 Series Out The Back Placement Tube - Left	1
2	270-4950Y1	Kinze 3000/4000 Series Out The Back Placement Tube - Right	1
3	304-060100-SS	3/8" x 1" Carriage Bolt - SS	2
4	323-06-SS	3/8" Flange Nut - SS	2
5	300-040012-SS	1/4" x 3/4" Hex Head Bolt - SS	2
6	323-04-SS	1/4" Flange Nut - SS	2



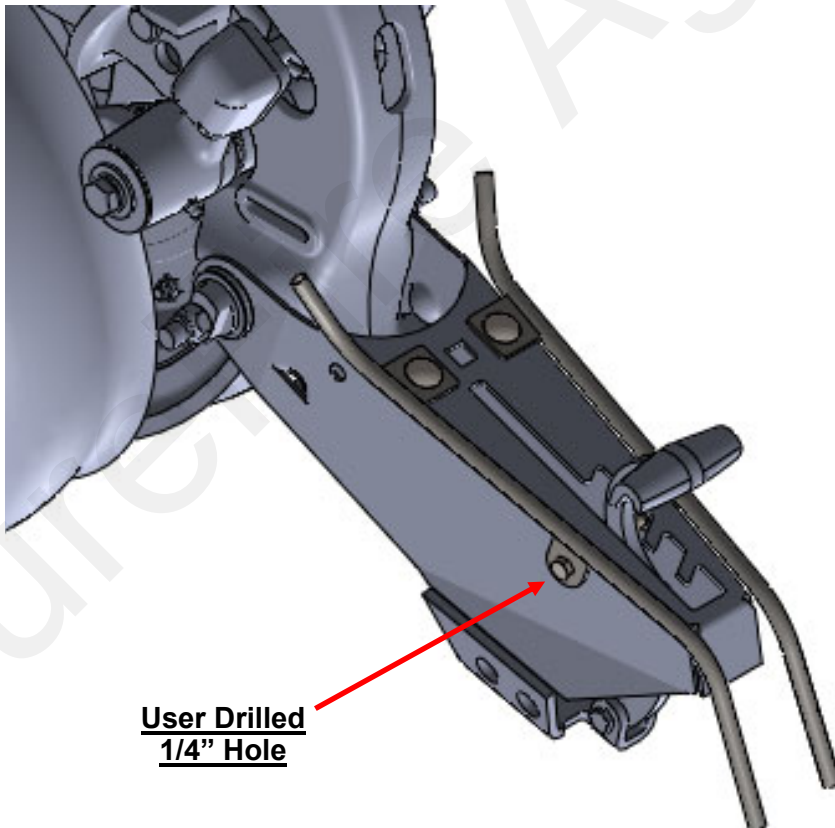


Step By Step Instructions

1. Mount the tubes using the holes shown to the right. Note that a 1/4" hole will have to be drilled by the user to bolt the rear tab to the row unit. The press wheels will have to be removed to drill the holes at the rear of the row unit. Use the 3/8" carriage bolts to mount the front tab and the 1/4" bolts to mount the rear tab. Tighten down the 3/8" and 1/4" hardware. Reassemble the press wheels and tighten to manufacturers specifications.
2. Use the provided plumbing kit to attach system to the stainless steel tubes. Be sure to route hoses or tubes in a way that prevents them from coming in contact with debris from the field.



Step 1



**User Drilled
1/4" Hole**