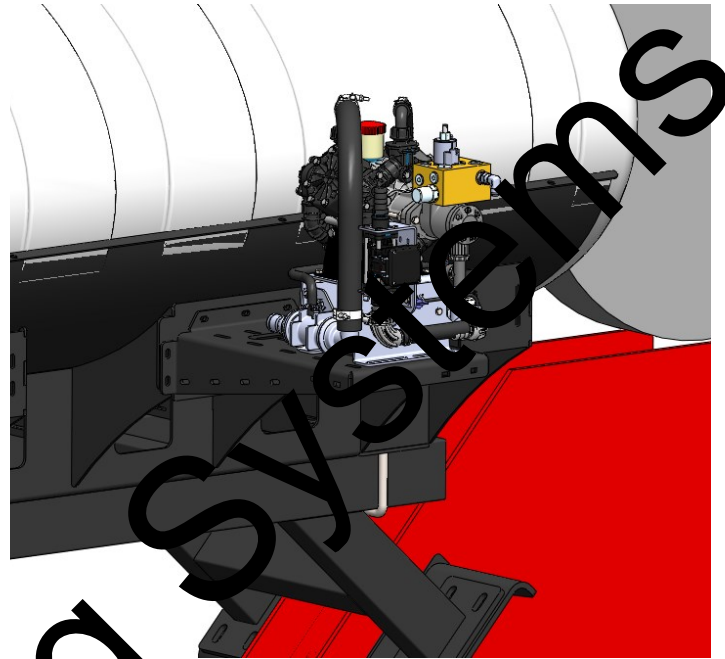


Pump Mounting

Mounting Option 1 (Preferred):

1. Bolt the 4996Y1 bracket to the mounting location on the side of the tank cradle using the provided 3/8" hardware.
2. Place the pump on the bracket and tighten it to the bracket using the provided 1/2" hardware.
3. Be sure to route hoses away from moving parts or areas where excessive wear can occur.



Mounting Option 2:

1. Bolt the 4966Y1 bracket to the mounting location on the front of the tank frame using the provided 3/8" hardware.
2. Place the pump on the bracket and tighten it to the bracket using the provided 1/2" hardware.
3. Be sure to route hoses away from moving parts or areas where excessive wear can occur.

