



396-5478Y1

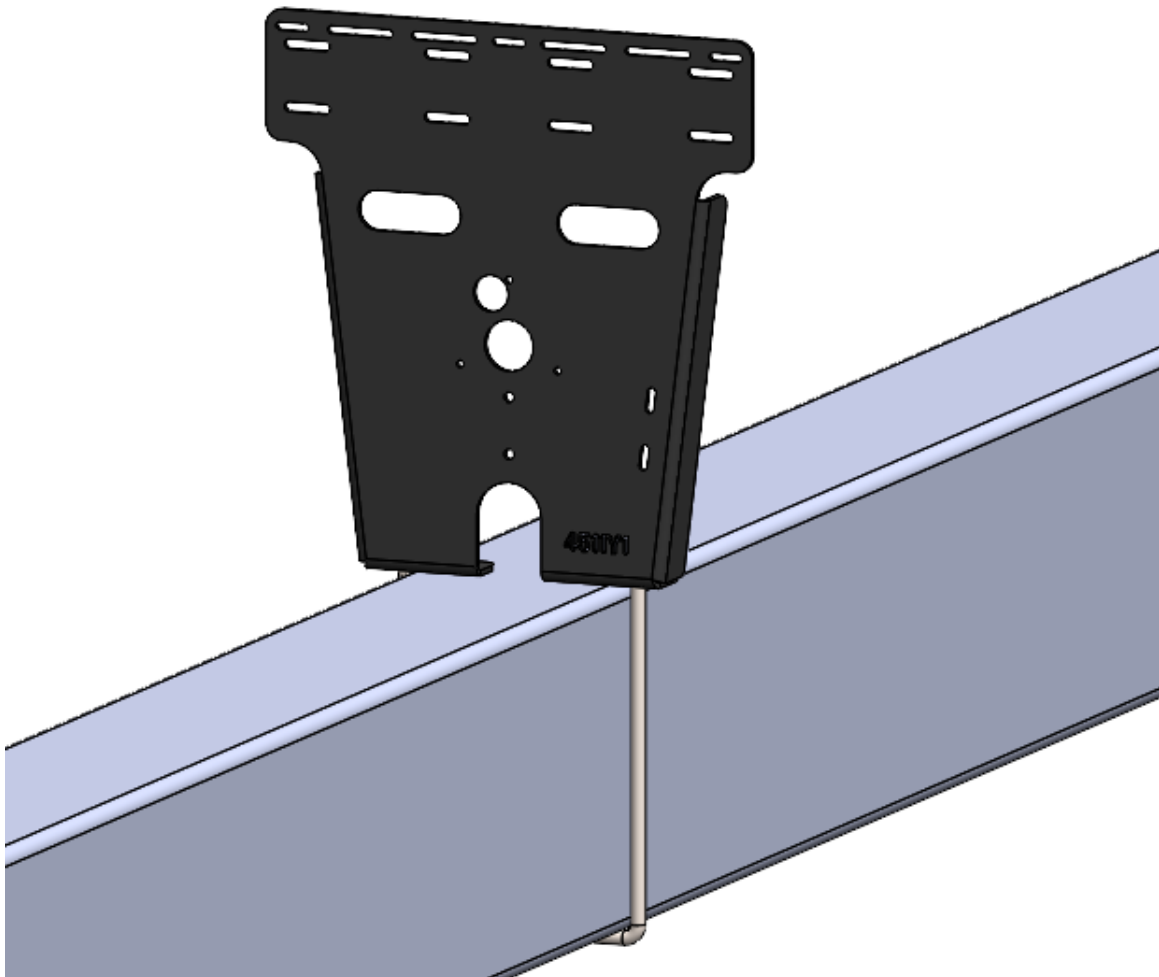
Hitch Mounted Flow Indicator / Sentinel Mounting Instructions

Kit Number: 515-02-100300

**Kit Description: Hitch Mount Flow Indicator / Sentinel Mounting
Bracket Kit - Includes u-bolt for 8 x 12 Hitch**

Kit Number: 515-02-100301

**Kit Description: Hitch Mount Flow Indicator / Sentinel Mounting
Bracket Kit - Includes u-bolt for 8 x 16 Hitch**

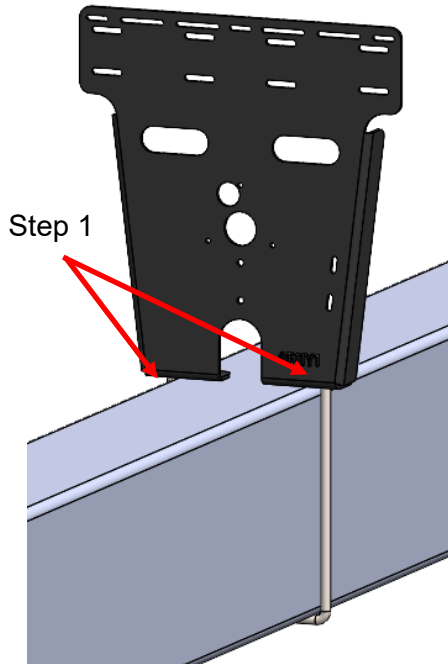




Parts list and Step by Step Instructions

Kits Contain:

PART NUMBER	DESCRIPTION	515-02-100300	515-02-100301
380-1019	1/2" U-bolt Kit - 8" x 12" tube - (8" opening) includes flange nuts	1	-
380-1020	1/2" U-bolt Kit - 8" x 16" tube - (8" opening) includes flange nuts	-	1
400-4511Y1-BK	Hitch Mount Sentinel Flowmeter Module Mounting Bracket	1	1

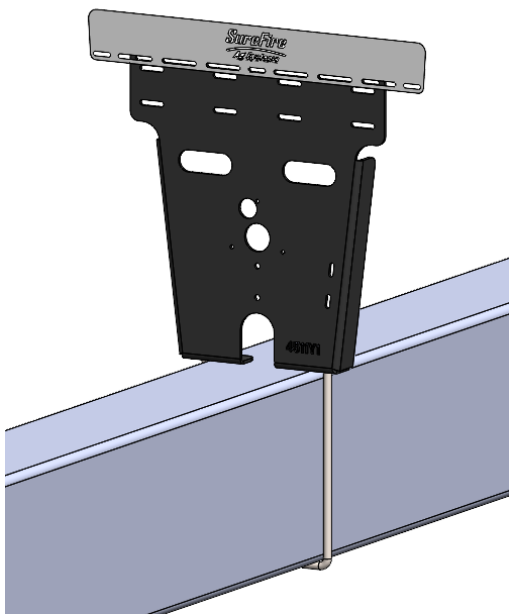


1. Mount 400-4511Y1 to hitch using provided u-bolt.
Kit 515-02-100301: Follow same instructions with 8" x 16" u-bolt kit

Suggested Items

400-2010A1

Holds up to 12 Flow Indicators



400-4217Y1

Holds up to 16 Flow Indicators

