

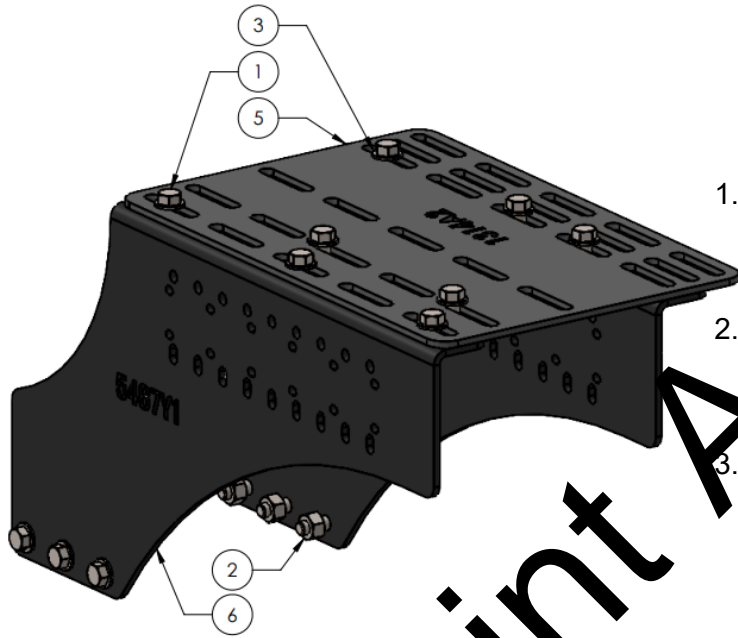


Parts List and Installation Instructions

515-03-301100

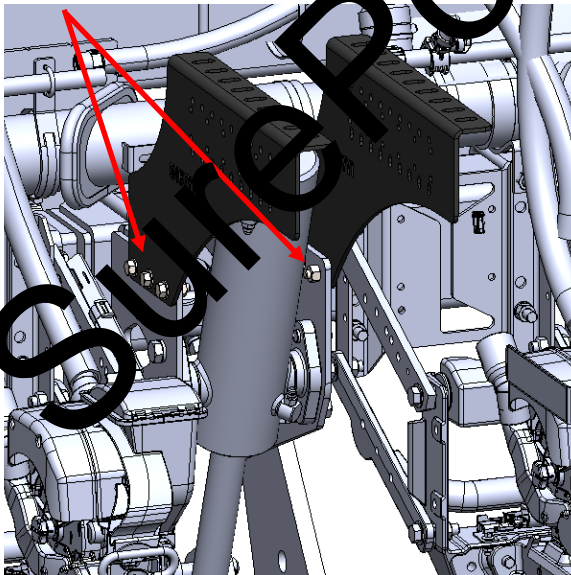
Massey Over Tire Pump Mount

ITEM NO.	PART NUMBER	DESCRIPTION	QTY.
1	300-080108-5	1/2" x 1-1/2" Hex Head Bolt	14
2	323-08	1/2" Flange Nut	14
3	330-08	1/2" Flat Washer	14
4	396-5468Y1	Massey Over Tire Pump Mounting Instructions	1
5	400-1314A2-BK	Over Tire Pump Mount - Top Plate	1
6	400-5467Y1-BK	Massey Over Tire Pump Mount - Side Rail	2

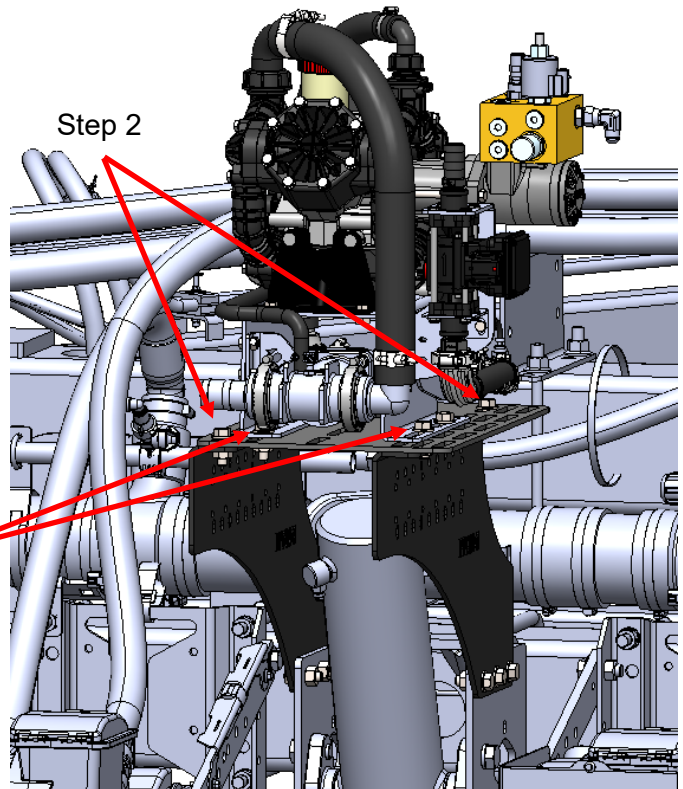


1. Mount 400-5467Y1 to the support plate using three (3) 1/2" x 1-1/2" hex head bolts, washers, and nuts
2. Mount 400-1314A2 on top of both 400-5467Y1 using four (4) 1/2" x 1-1/2" hex head bolts, washers, and nuts.
3. Mount pump to 400-1314A2 using four (4) 1/2" x 1-1/2" hex head bolts, washers, and nuts.

Step 1



Step 2



Step 3