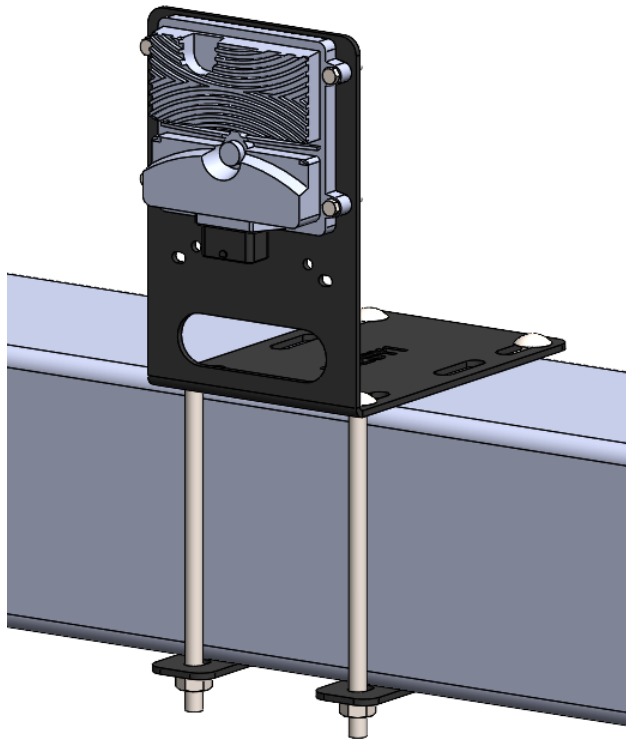




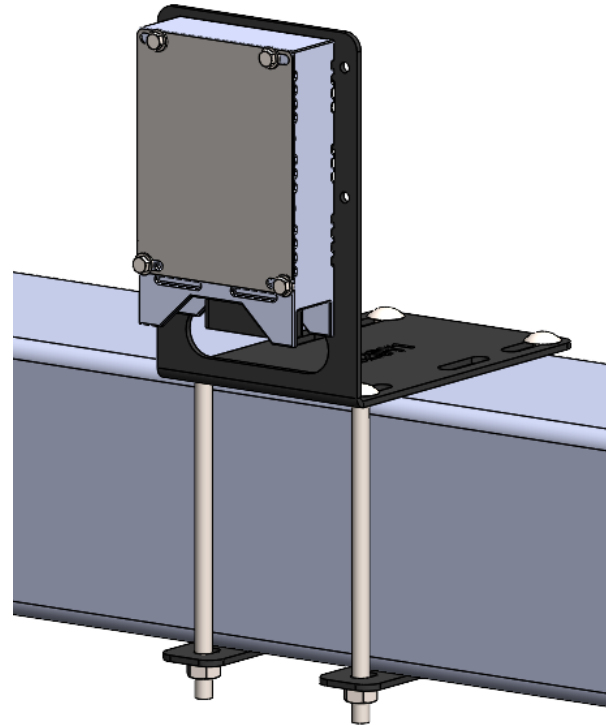
396-5337Y1

SureFire ECU Mounting Bracket Installation Instructions



Kit 515-00-100975

SureFire ESX3CS ECU Mounting Bracket Kit



Kit 515-00-100900

Sentinel ISOBUS ECU Slim Mounting Bracket
Kit

PART NUMBER	DESCRIPTION	QTY.
300-040104-5	1/4" x 1-1/4" Hex Head Bolt	4
304-080908-5	Carriage Bolt - 1/2" x 9-1/2"	4
321-04	1/4" Nylock Nut	4
323-08	1/2" Flange Nut	4
330-04	1/4" Flat Washer	8
400-3451Y1-BK	SureFire ISOBUS ECU Mounting Backer Plate	2
400-5320Y1-BK	Sentinel ESX3CS ECU Mounting	1

PART NUMBER	DESCRIPTION	QTY.
300-040300-5	1/4" x 3" Hex Head Bolt	4
304-080908-5	Carriage Bolt - 1/2" x 9-1/2"	4
321-04	1/4" Nylock Nut	4
323-08	1/2" Flange Nut	4
330-04	1/4" Flat Washer	8
398-60-4750Y1	Sentinel Rate Control Decal	1
400-3451Y1-BK	SureFire ISOBUS ECU Mounting	2
400-4716Y1-SS	Sentinel ECU Stainless Steel	1
400-5320Y1-BK	Sentinel ESX3CS ECU Mounting	1



Step by Step Instructions

1. Attach 400-5320Y1-BK mounting bracket to implement using two (2) 400-3451Y1-BK backer plates, four (4) 1/2" x 9-1/2" carriage bolts and flange nuts.

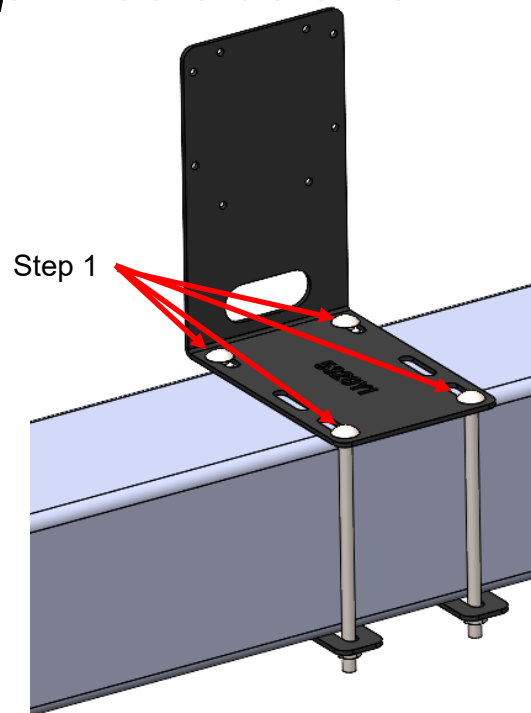
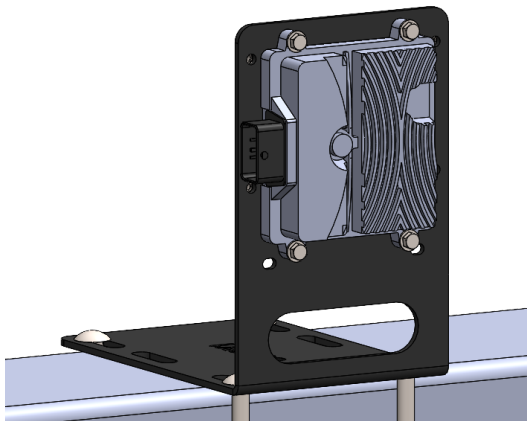
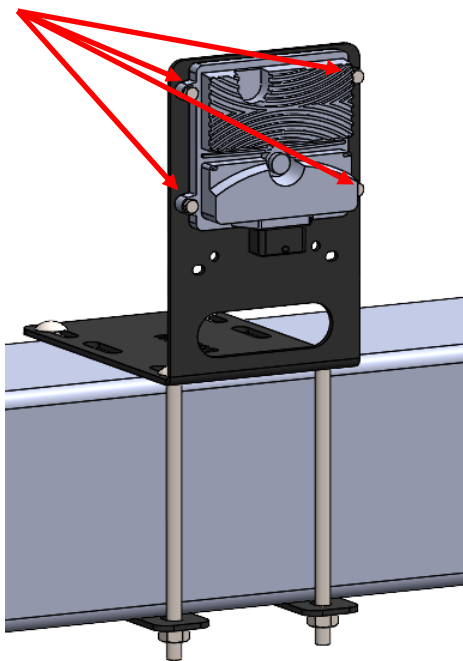
Note: This kit is designed to fit 4"-8" wide bars.

515-00-100975

2. Using four (4) 1/4" x 1-1/4" bolts, flat washers and flange nuts in the kit, mount the ECU to the mounting bracket.

Note: In the vertical configuration, the cable harness must be pointing down.

Step 2



515-00-100900

2. Using four (4) 1/4" x 3" bolts, flat washers and flange nuts, mount the ECU and stainless steel cover to the mounting bracket.

Step 2

