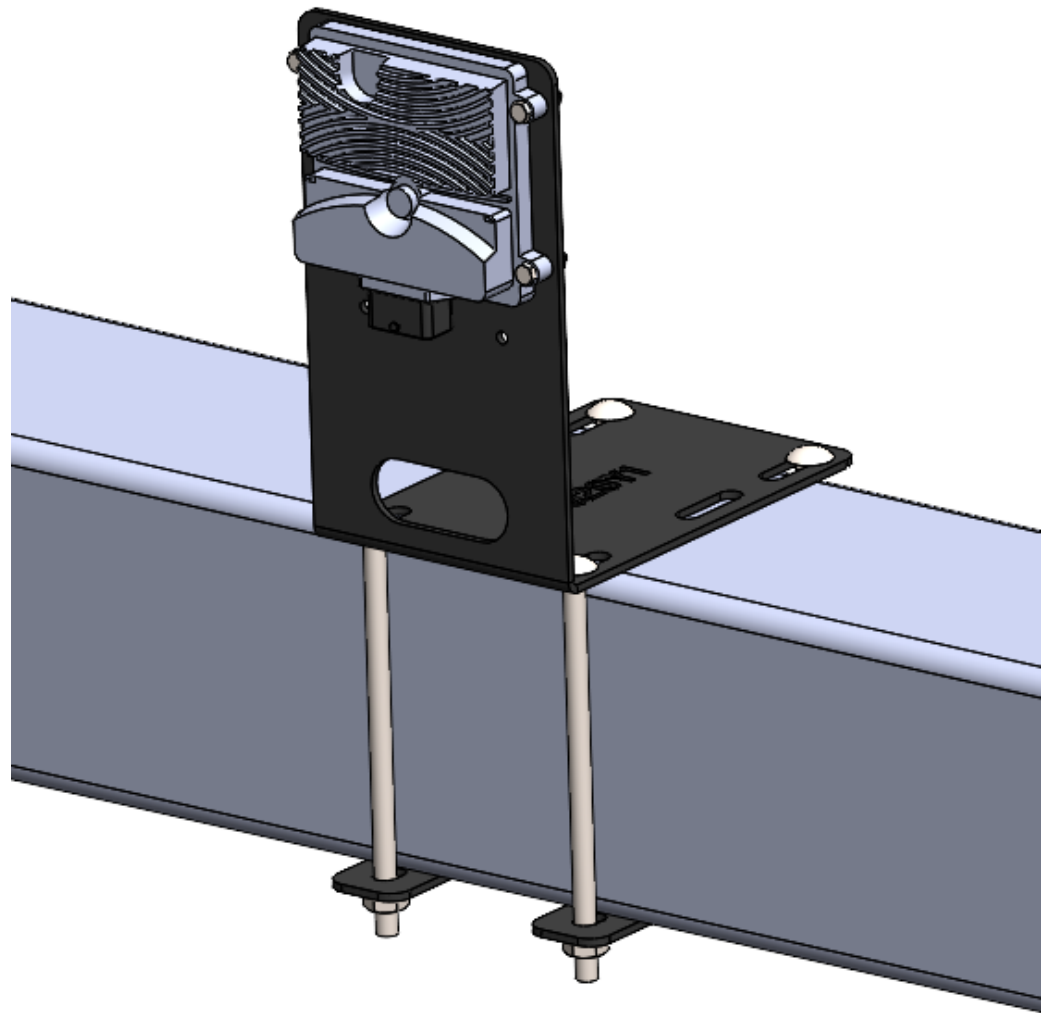




396-5337Y1

SureFire ESX3CS ECU Mounting Bracket Installation Instructions

Kit Number: 515-100975



Kit Contains:

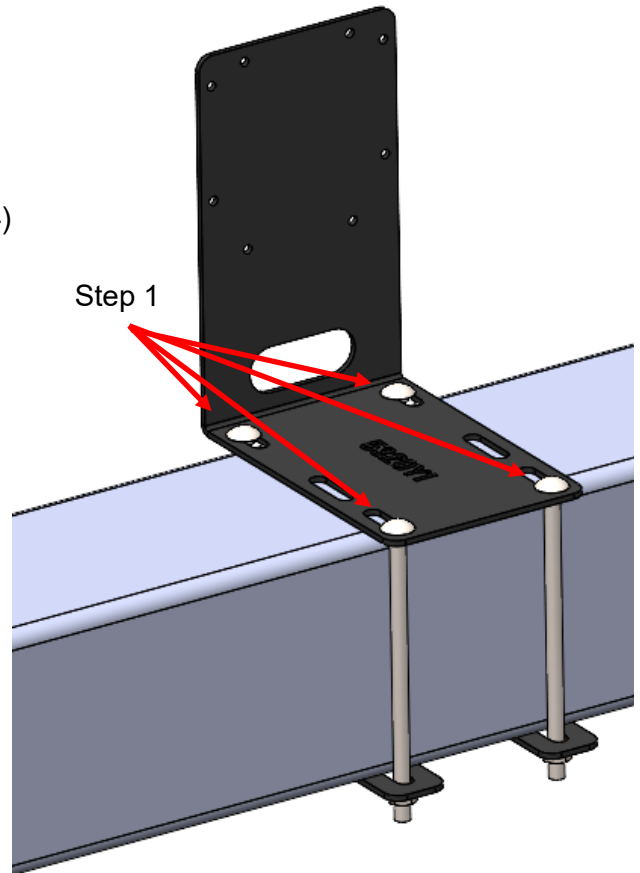
PART NUMBER	DESCRIPTION	QTY.
300-040104-5	1/4" x 1-1/4" Hex Head Bolt	4
304-080908-5	Carriage Bolt - 1/2" x 9-1/2"	4
321-04	1/4" Nylock Nut	4
323-08	1/2" Flange Nut	4
330-04	1/4" Flat Washer	4
400-3451Y1-BK	SureFire ISOBUS ECU Mounting Backer Plate	2
400-5320Y1-BK	Sentinel ESX3CS ECU Mounting	1



Step by Step Instructions

1. Attach 400-5320Y1-BK mounting bracket to implement frame using two (2) 400-3451Y1-BK backer plates, four (4) 1/2" x 9-1/2" carriage bolts and four (4) 1/2" flange nuts.

Note: This kit is designed to fit 4"-8" wide bars.



2. Using the four (4) 1/4" x 1-1/4" bolts, flat washers and flange nuts in the kit, mount the ECU to the mounting bracket.

Note: In the vertical configuration, the cable harness must be pointing down.

