



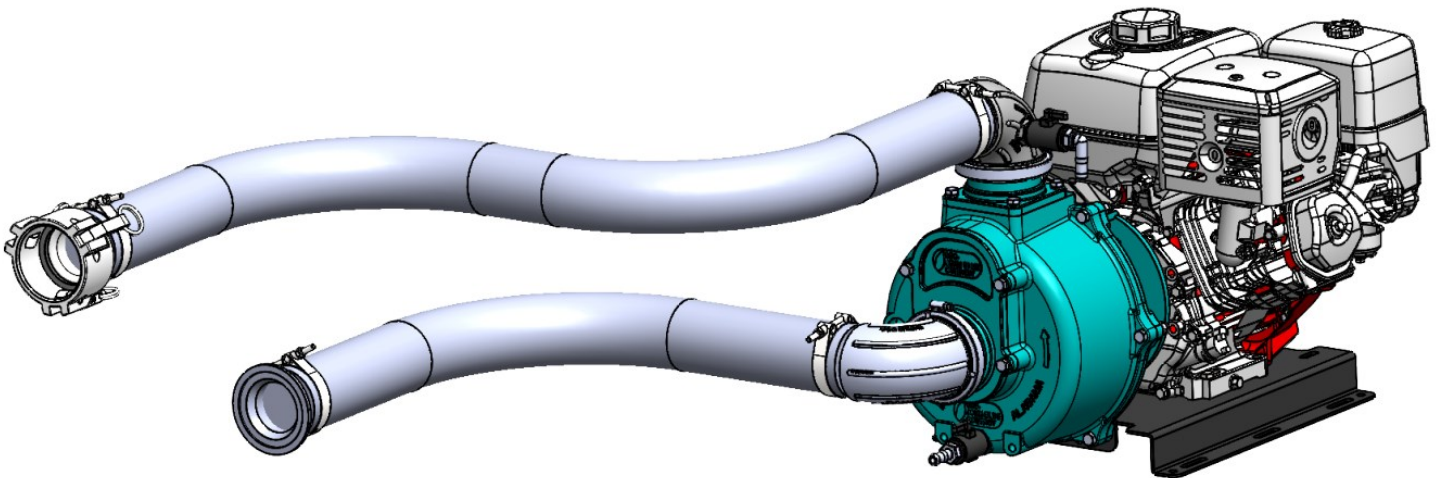
396-5181Y1

QuickDraw 3" Flange Connection Kit for 3" Pump Installation Instructions

Kit Number: 606-03-100100

Kit Description: QuickDraw 3" Flange connection kit for 3" Pump

Note: Pump shown for reference only.

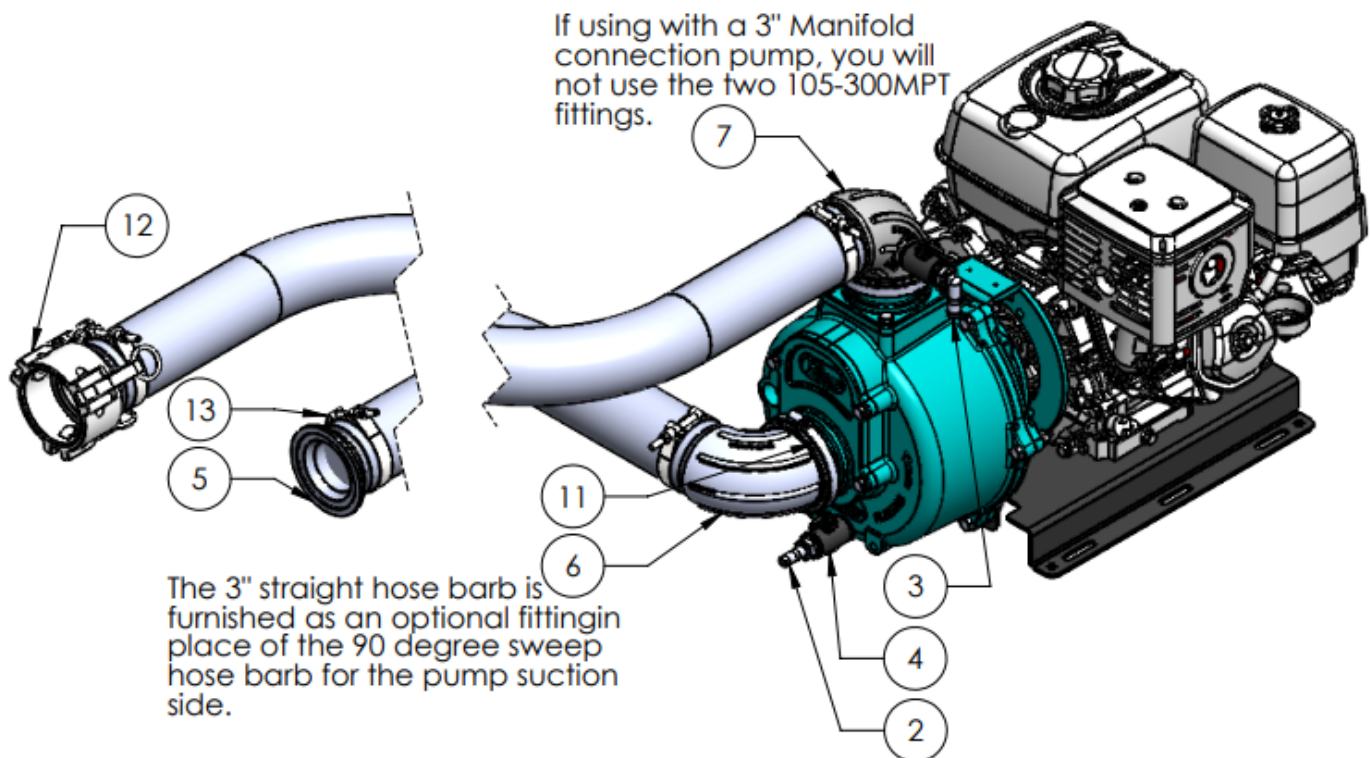




Parts List and Exploded View

ITEM NO.	PART NUMBER	DESCRIPTION	QTY.
1	100-050PLUG	1/2" Pipe Plug	2
2	101-050050-H	1/2" MPT x 1/2" HB	1
3	101-050050-90	1/2" MPT x 1/2" HB - 90 Degree	2
4	102-050050LVMTV	1/2" MPT x 1/2" FPT Micro Valve	2
5	105-300BRB	3" Manifold x 3" HB	3
6	105-300BRBSWP90	3" Manifold x 3" HB - 90 Degree Sweep	1
7	105-300BRBSWPG90	3" Manifold x 3" HB - 90 Degree Sweep with 1/2" Tap	1
8	105-300G-H	3" EPDM Manifold Gasket	4
9	105-300MPT	3" Manifold x 3" MPT	2
10	105-300SWP90	3" Manifold Sweep - 90 Degree	1
11	105-FC300	3" Manifold Clamp	4
12	106-303C	3" Female Coupler w/ 3 Arms x 3" Hose Shank	1
13	350-TC343	Pressure Seal HD Clamp, Size 400 - 3.12 - 3.75" Diameter (fits 3" Enforcer)	4

Note: Not all parts will be used.





Step by Step Instructions

1. Connect tapped hose barb sweep elbow to the outlet of the pump and determine which side to install the bleed valve on. Use the pipe plug fitting to plug the opposite side.
2. Thread the 102-050050LVMTV micro valve into the hose barb sweep elbow port.
3. Assemble plumbing fittings on inlet side as shown, using manifold clamps and gaskets.
4. Remove the drain on the pump and install a 102-050050LVMTV drain valve for ease with winterization and priming.

Note: It is recommended by the manufacturer to leave the pump full of RV antifreeze during the winter to eliminate oxidation and corrosion. Always follow the manufacturers manual and recommendations for winterization.

