



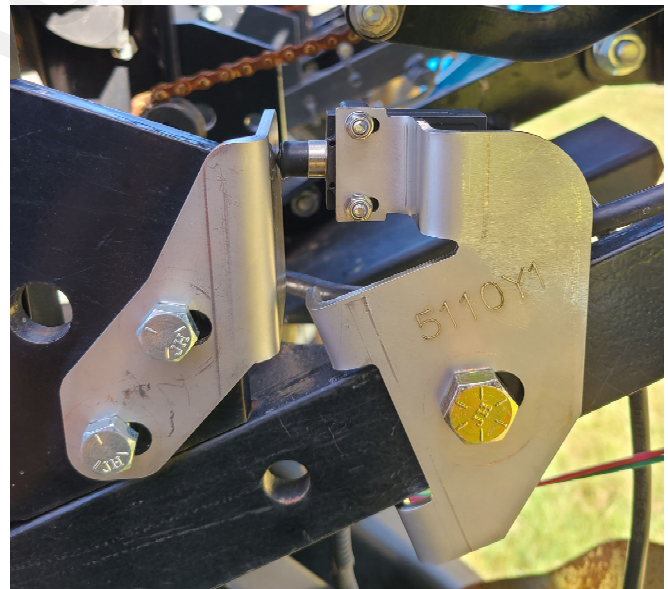
396-5179Y1

Kinze 3000/3005 Row Unit Height Switch Mounting Instructions

Planter Manufacturer: **KINZE**



Kit Number: 501-200100
Kit Description: Kinze 3000/3005
Series Row Unit Push Button
Switch

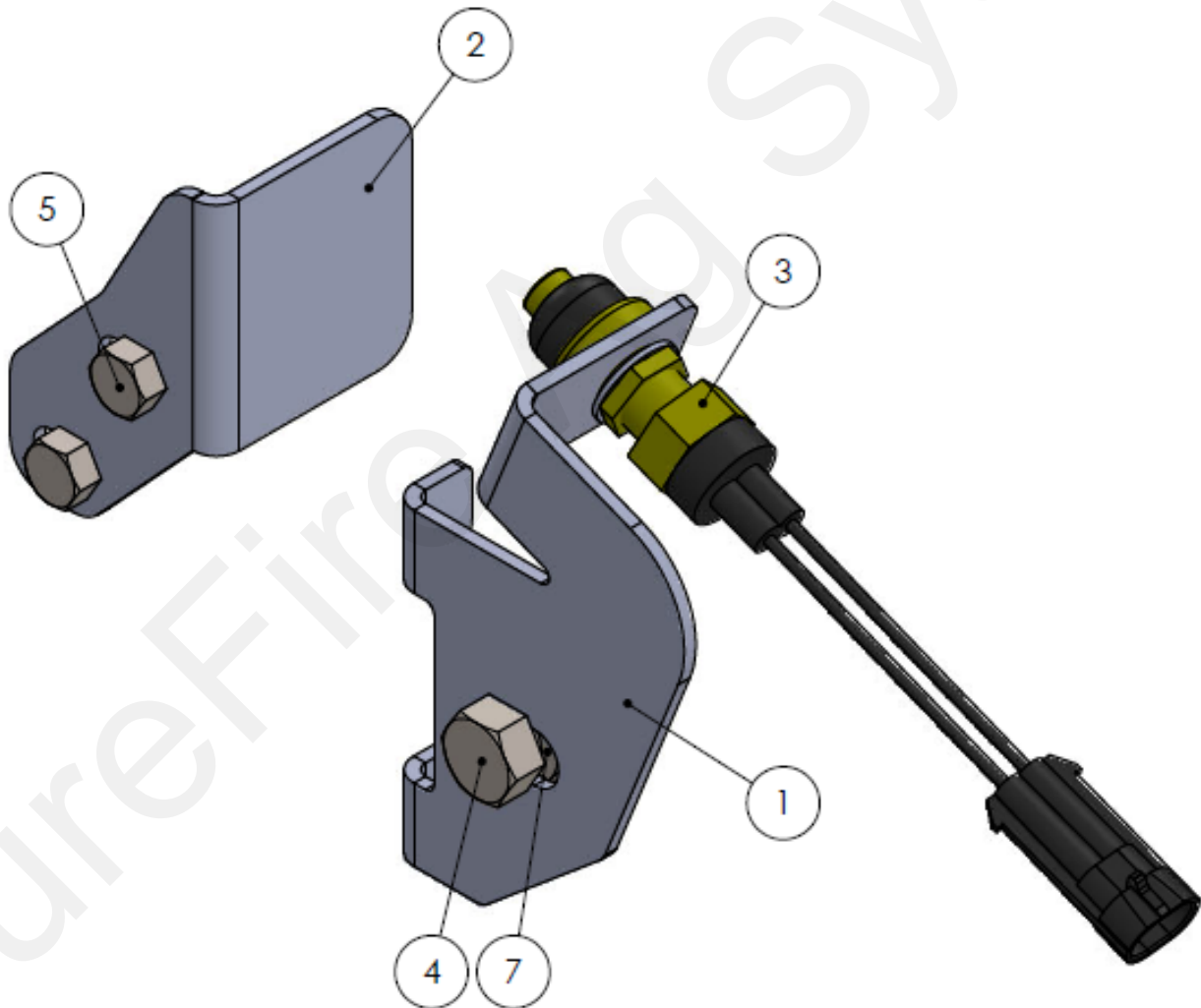


Kit Number: 501-200150
Kit Description: Kinze 3000/3005
Series Row Unit NO/NC Push
Button Switch



Parts List and Exploded View 501-200100

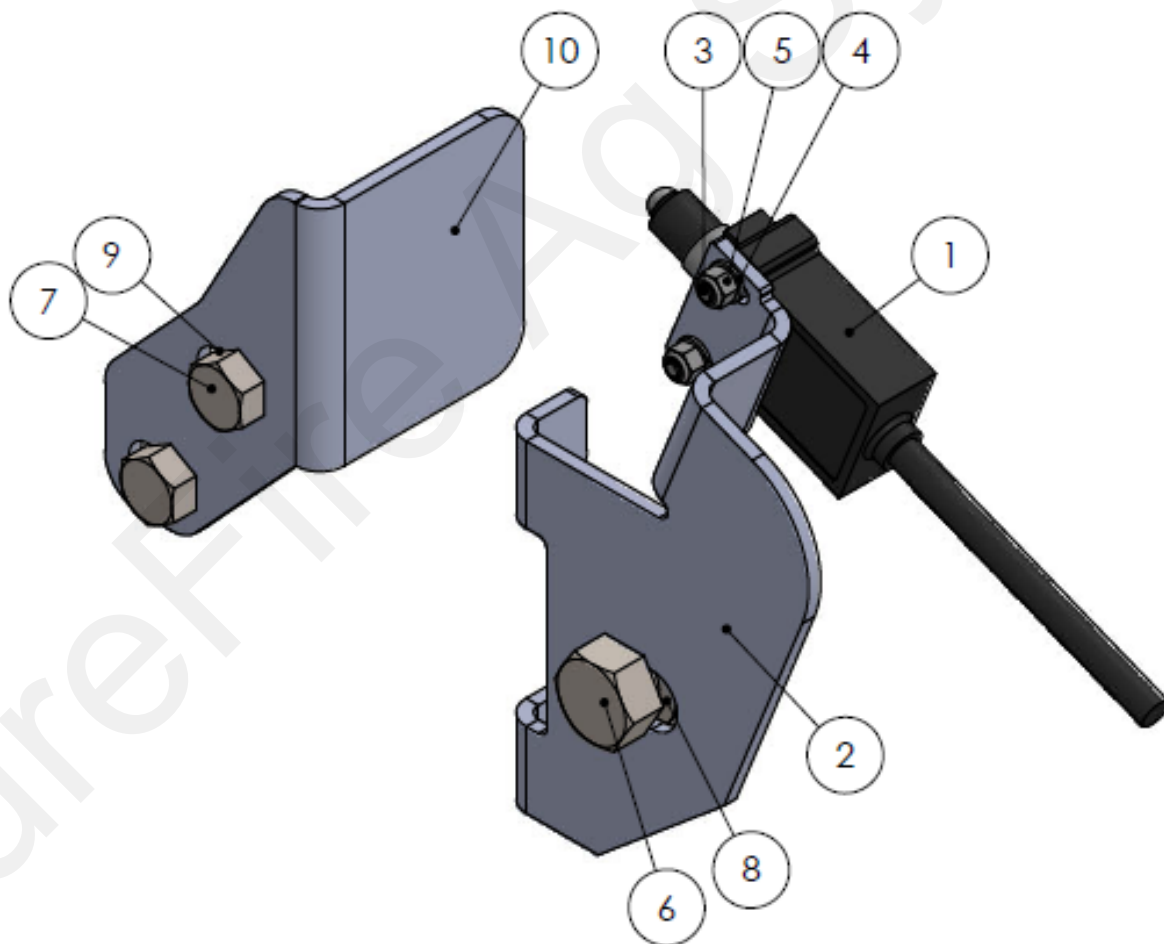
ITEM NO.	PART NUMBER	DESCRIPTION	QTY.
1	435-4542Y1	3005 Series Row Unit - Button Switch Mounting Bracket	1
2	435-4543Y1	3005 Series Row Unit - Button Switch Stop Bracket	1
3	705-21-541	Momentary Switch - Normally On (Push to Off)	1
4	300-080100-SS	1/2" x 1" Hex Head Bolt - SS	1
5	300-060100-SS	3/8" x 1" Hex Head Bolt - SS	2
6	323-06-SS	3/8" Flange Nut Stainless Steel	2
7	323-08-SS	1/2" Flange Nut Stainless Steel	1





Parts List and Exploded View 501-200150

ITEM NO.	PART NUMBER	DESCRIPTION	QTY.
1	201-5165Y1	Implement Switch with both NO and NC options	1
2	435-5110Y1	Kinze 3005 Row Unit NO/NC Height Switch Bracket	1
3	757-92000A204	M4 x 22 MM Stainless Steel Pan Head Phillips Screw	2
4	757-93475A230	M4 Stainless Steel Flat Washer	2
5	757-93625A150	M4 Stainless Steel Nylock Nut	2
6	300-080100-SS	1/2" x 1" Hex Head Bolt - SS	1
7	300-060100-SS	3/8" x 1" Hex Head Bolt - SS	2
8	323-08-SS	1/2" Flange Nut - SS	1
9	323-06-SS	3/8" Flange Nut - SS	2
10	435-4543Y1	Kinze 3005 Series Row Unit - Button Switch Stop Bracket	1

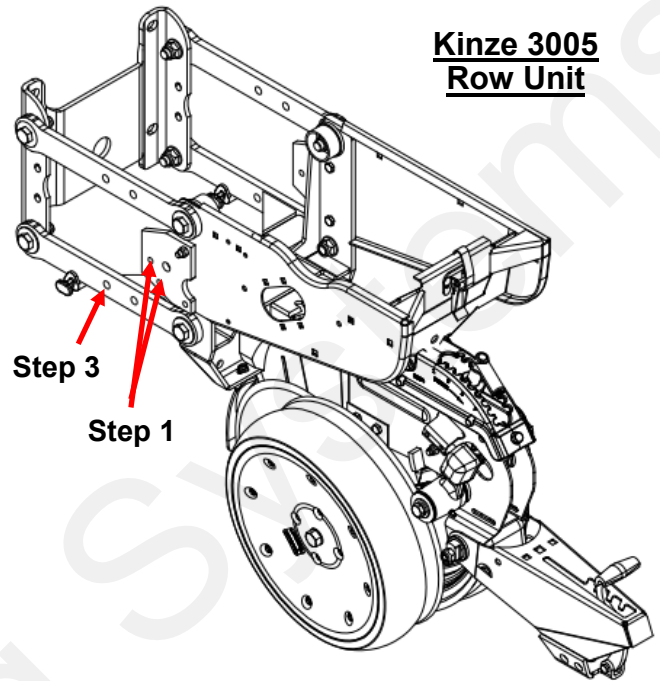




Step by Step Instructions

501-200100

1. Bolt the 435-4543Y1 bracket to the holes shown using the 3/8" hardware.
2. Insert the button switch into the hole opening on the bracket as shown in the picture.
3. Mount the implement switch bracket using the 1/2" hardware to the mounting location shown.
4. While the planter is lifted, adjust the switch bracket to ensure the switch is fully closed (as shown below). Tighten down the 1/2" and 3/8" hardware.



501-200150

1. Bolt the 435-4543Y1 bracket to the holes shown using the 3/8" hardware.
2. Mount the switch to the bracket using the M4 hardware as shown below.
3. Mount the implement switch bracket using the 1/2" hardware to the mounting location shown.
4. While the planter is lifted, adjust the switch bracket to ensure the switch is fully closed (as shown below). Tighten down the 1/2" and 3/8" hardware.

