



396-5160Y1

Landoll 5540 Hitch Mounted Tank Kit Mounting Instructions

Drill Manufacturer:



Kit Number: 551-05-200500 - 500 Gallon Elliptical Tank Kit



***KIT CONTAINS
WHITE TANK***



SurePoint Ag Systems Fertilizer Tank Safety and Warnings



SurePoint Ag Systems does not recommend transporting your implement with full fertilizer tanks. Doing so can result in damage to brackets and implement.



Remember to wear proper PPE (*Personal Protective Equipment*) when installing SurePoint Ag Systems fertilizer tank kits. Proper PPE includes gloves, foot and eye protection, and hearing protection.



SurePoint Ag Systems fertilizer application systems require winterization when not in use. Refer to your product manual for winterization procedures.

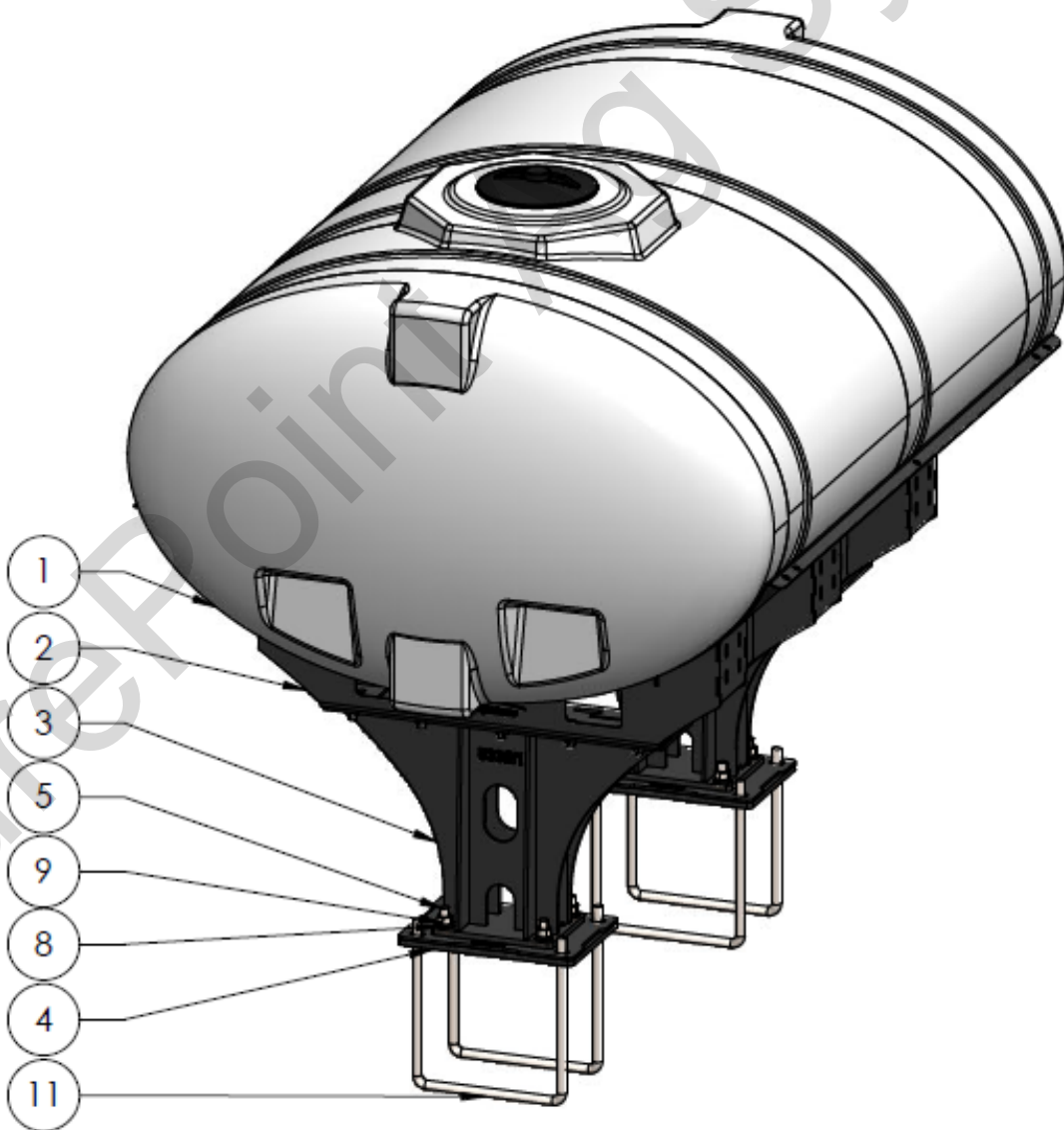
Failure to follow the above warnings can result in personal injury, damage to your SurePoint Ag Systems products, and damage to your implement.



Parts List and Exploded View

551-05-200500

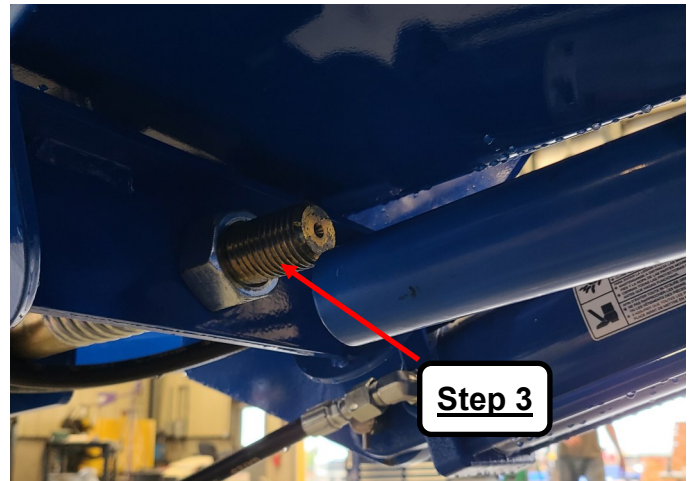
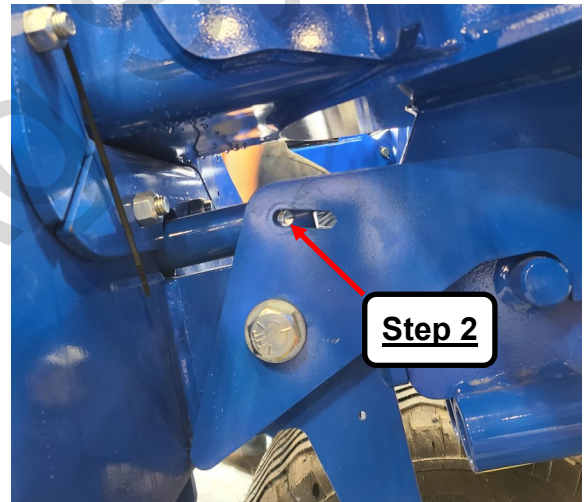
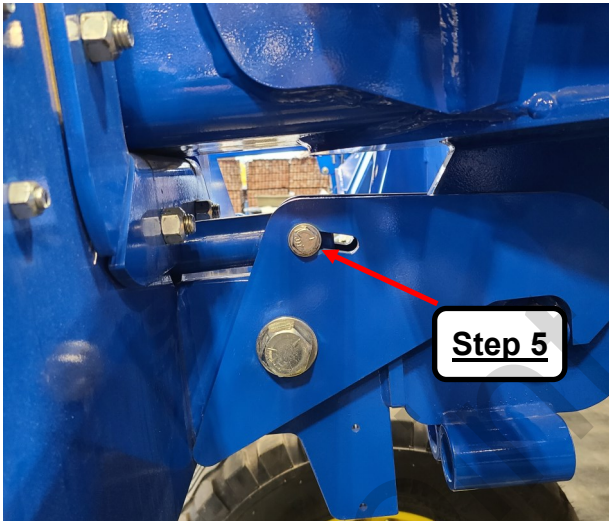
ITEM NO.	PART NUMBER	DESCRIPTION	QTY.
1	727-01-HE0500-57-CS-W	Elliptical Tank - 500 Gal - White - Center Sump	1
2	421-5638Y1	500 Gallon Elliptical Cradle	1
3	421-5331Y1	18" Tank Pedestal	2
4	420-5132Y1	Tank Adapter Plate from 8" to 12" hitch	2
5	300-120208-5	3/4" x 2-1/2" Hex Head Bolt - G5	8
6	307-100108-5	5/8" x 1-1/2" Flange Head Bolt - G5	14
7	330-12	3/4" Flat Washer	8
8	331-12	3/4" Lock Washer	8
9	320-12	3/4" Nut	8
10	325-10	5/8" Top Lock Flange Nut	14
11	380-1080	3/4" U-Bolt Kit - fits 12" x 12" tube	4
12	525-3000	3" Tank Strap Kit	3





Step by Step Instructions

1. To begin installation, you must remove the hitch latching arm from the rear of the drill to install the rear u-bolts.
2. Remove the 3/8" bolt from the latching mechanism. Keep the bolt to replace after installation.
3. Remove the latch bar by threading it off of the hydraulic rocking arm under the hitch. Leave the bar hanging during installation.
4. Proceed to the installation steps on Page 5. After all steps on Page 5 are completed, replace the latch bar to the rocking arm over the rear tank u-bolts.
5. Replace the 3/8" bolt in the latching mechanism and tighten.





Step by Step Instructions, Cont'd.

1. Bolt the tank adapter plates to the tank pedestals using the 3/4" X 2-1/2" bolts, flat and lock washers, and nuts. Tighten them down before moving on to the next step.
2. Place the pedestals on the main hitch bar. Using the provided U-Bolts, loosely attach the pedestals to the hitch. Be sure the rear pedestal is as far back as possible.
3. Loosely bolt the tank cradle onto the pedestals using the provided 5/8" hardware.
4. Place the tank into the cradle lining the tank strap grooves up with the hole pattern in the cradle. Tighten the tank to the cradle using the provided tank strap kits.
5. Tighten all 5/8" cradle hardware, followed by the U-Bolts. Be sure the tank and cradle are clear of all obstructions.
6. Tighten the tank straps again after first filling.

