



396-5118Y1

Case 2140 200 Gallon Side Mount Tank Mounting Instructions

Planter Manufacturer:



Kit Number: 530-02-300200

Description: Case 2140 200 Gallon Side Mount Tank Kit



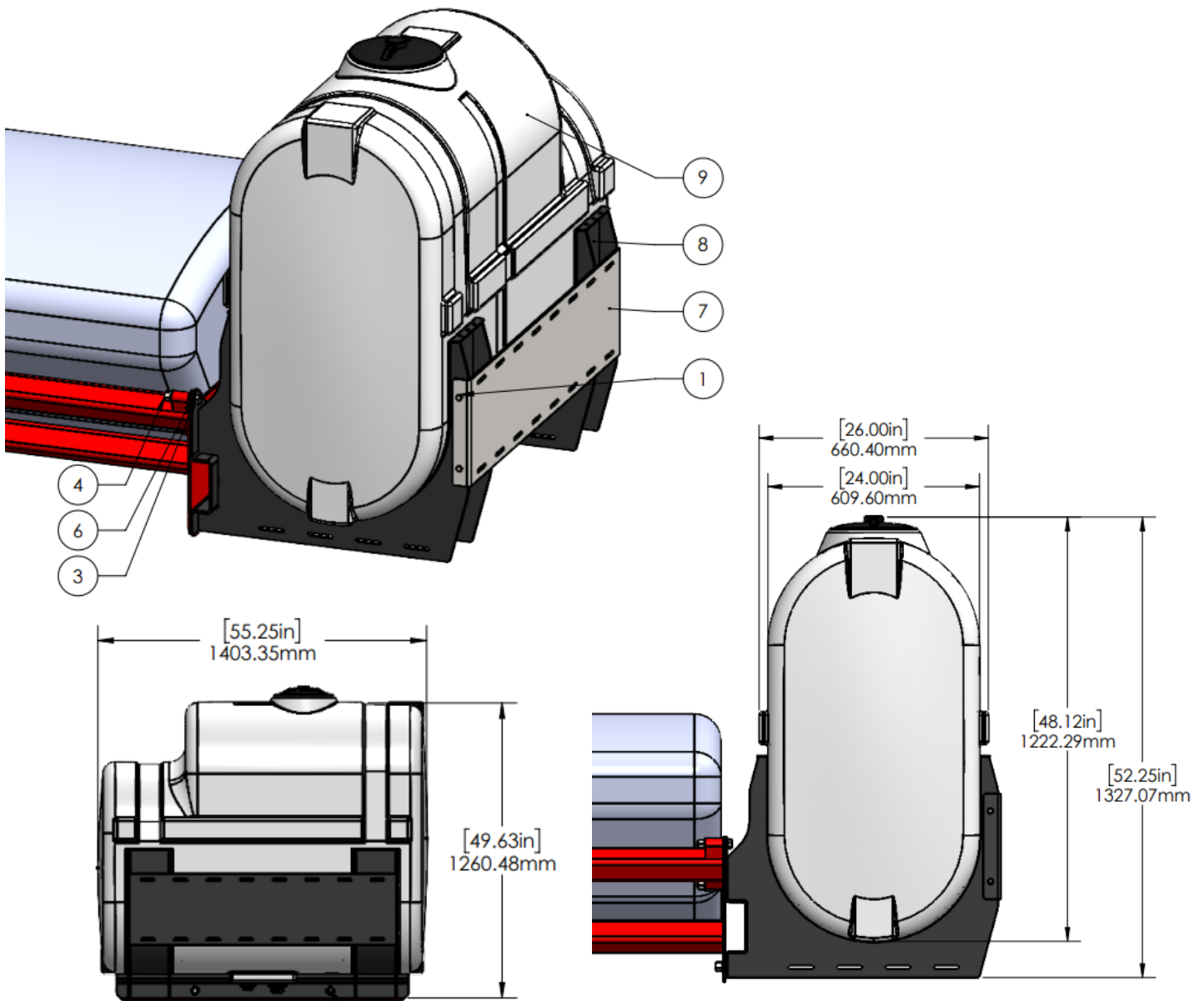


Parts List and Installation Dimensions

530-02-300200

200 Gallon Side Mount Tank Kit

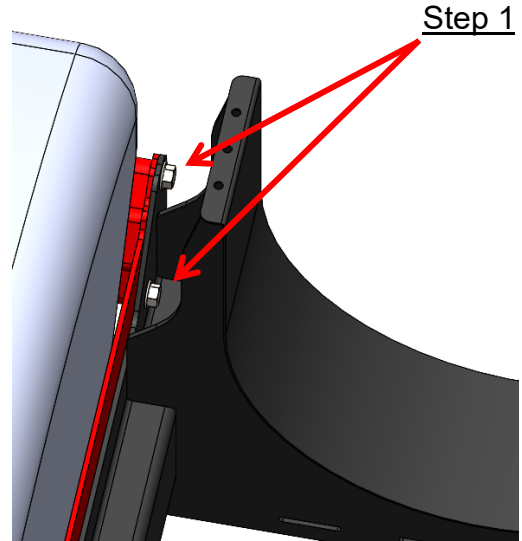
ITEM NO.	PART NUMBER	DESCRIPTION	QTY.
1	300-060100-5	3/8" x 1" Hex Head Bolt-G5	8
2	300-100108-5	5/8" x 1-1/2" Hex Head Bolt-G5	4
3	300-100308-5	5/8" x 3-1/2" Hex Head Bolt-G5	8
4	321-10	5/8" Nylock Nut	12
5	323-06	3/8" Flange Nut	8
6	330-10	5/8" Flat Washer	24
7	420-4154Y1	Case 2140 - 200 Gallon Cutaway Tank Mount Front Plate	2
8	420-4155Y1	Case 2140 - 200 Gallon Cutaway Tank Mount Weldment	2
9	727-08-CAW0200-24-W	White Sidemount Cutaway Tank - 200 Gal White	2



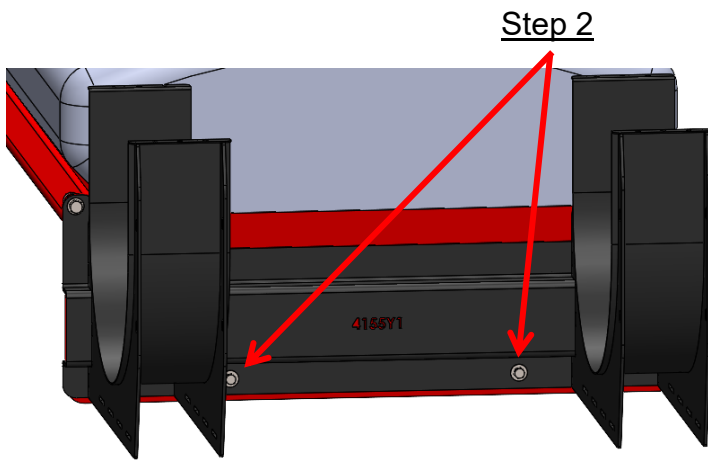


Step by Step Instructions

1. Loosely mount 420-4155Y1 - Cutaway Tank Mount, to the Case 2140 Pivot Fold Frame using four (4) 5/8" x 3-1/2" hex head bolts, washers, and nylock nuts.



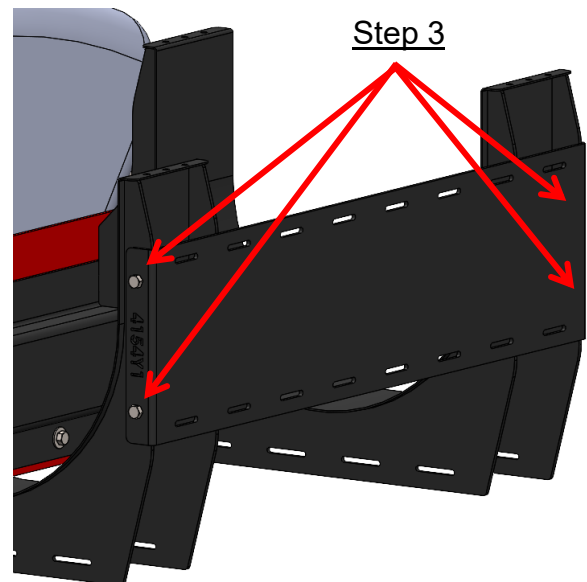
Same on opposite side.



2. Install the bottom using two (2) 5/8" x 1-1/2" hex head bolts, washers, and nylock nuts

3. Mount 420-4154Y1 - Cutaway Tank Mount Front Plate to 420-4155Y1 - Cutaway Tank Mount using four (4) 3/8" x 1" hex head bolts and flange nuts.

Repeat steps 1-3 for the 2nd tank.

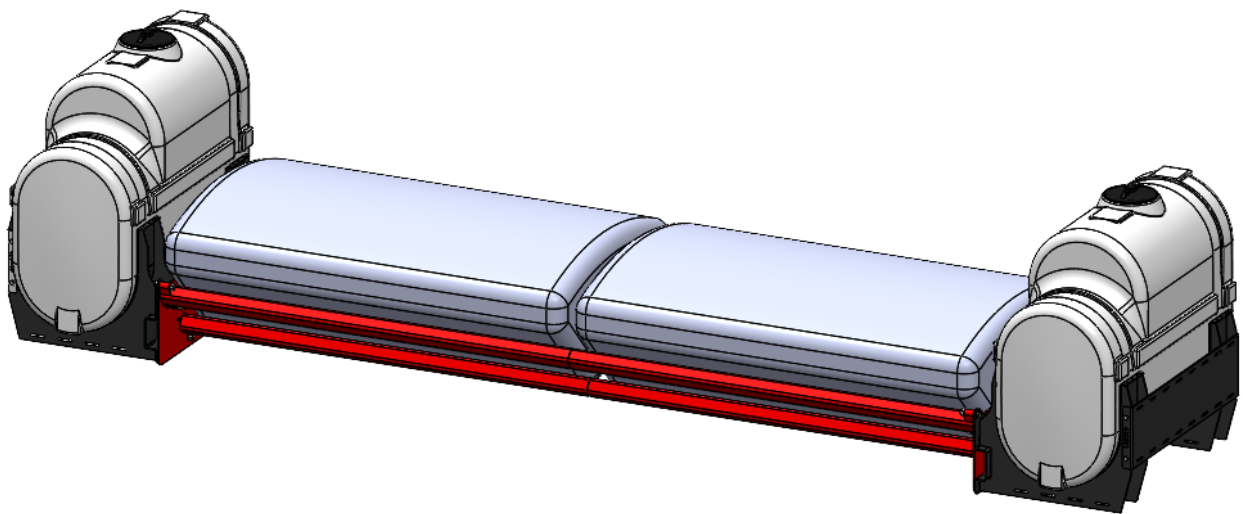
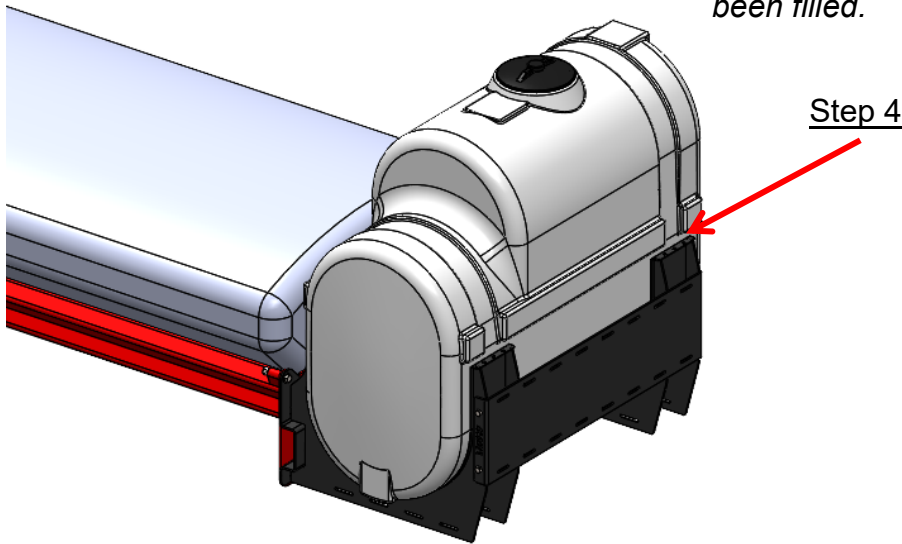




Step by Step Instructions

4. Finally, install the tanks in the saddles and fasten the tank strap mounting brackets, and tank straps. Check for clearance when folding.

Note: Tighten straps again once the tanks have been filled.



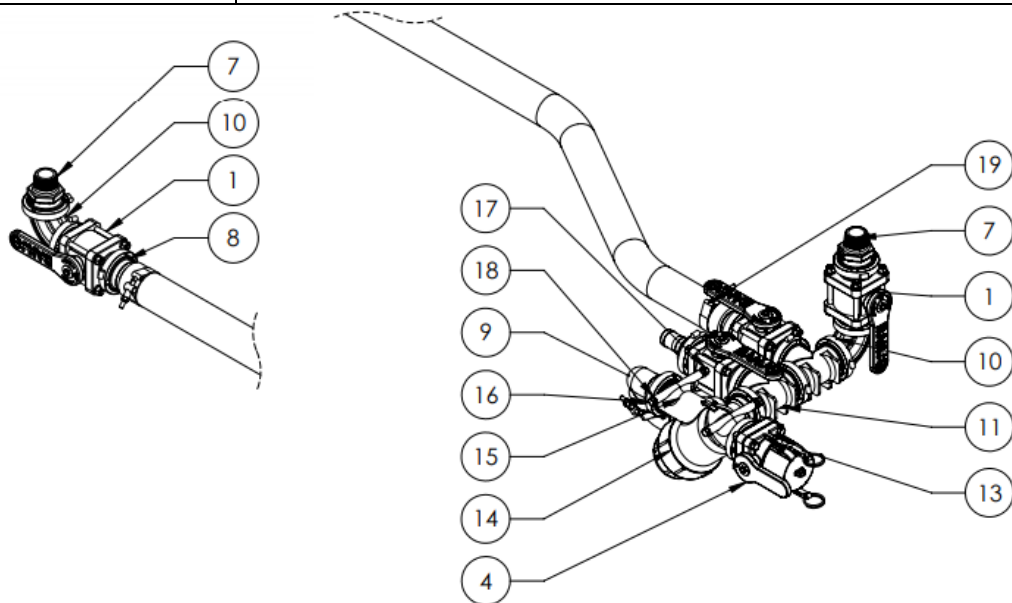


Suggested Items

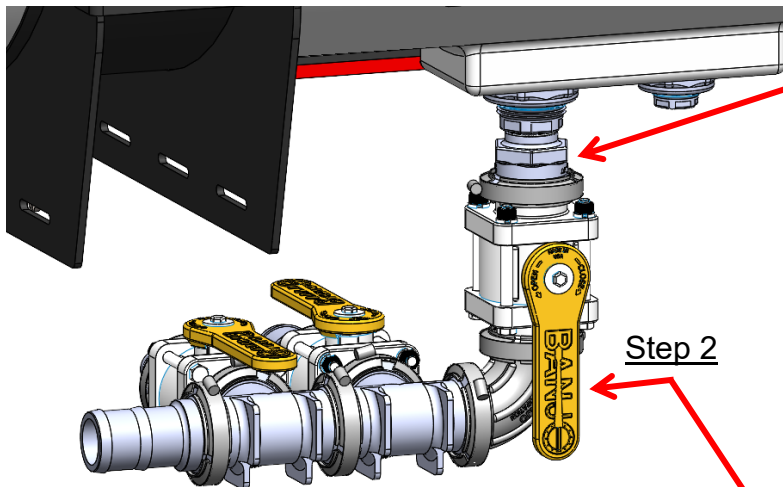
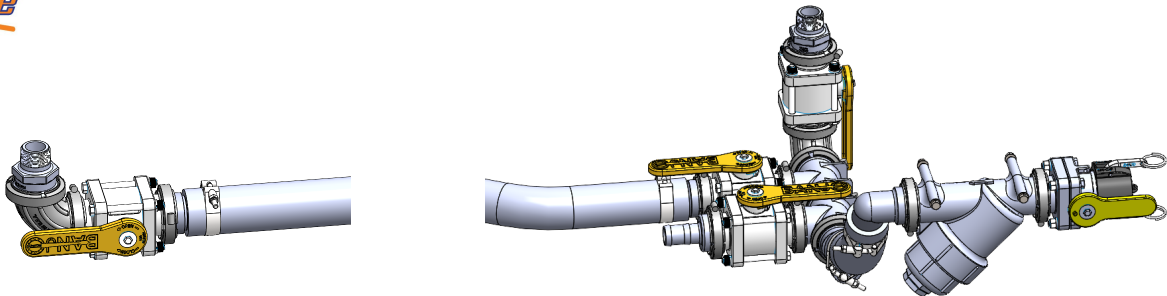
Kit Description: Case 2140 Tank Fill Kit for 2 - 200 Gallon Tanks

Kit Number: 520-00-200050

ITEM NO.	PART NUMBER	DESCRIPTION	QTY.
1	102-200MVCF	2" Manifold Ball Valve	4
2	102-200VBR-90	2" Mounting Bracket - 90 Degree	1
3	102-200VBR	2" Mounting Bracket - Straight	1
4	102-200VSFCF	200 Series Manifold x 2" Male Quick Coupler Std Port Valve	1
5	105-150G	1-1/2" EPDM Gasket	14
6	105-200150BRB	2" Manifold x 1-1/2" HB	1
7	105-200125MPT	2" Manifold x 1-1/4" MPT	2
8	105-200BRB	2" Manifold x 2" HB	3
9	105-200BRB90	2" Manifold x 2" HB - 90 Degree	1
10	105-200SWP90	2" Manifold Sweep - 90 Degree	2
11	105-200TEE	2" Flanged Tee Fitting	2
12	105-FC200	2" Manifold Clamp	14
13	106-200CAP	2" Cap	1
14	109-200MLS-20M	2" Manifold Y Strainer - 20 Mesh w/ 5/16" bolt holes for mounting	1
15	280-200-ENF-CASE2140-1	2" Enforcer Fertilizer Solution Hose	1
16	300-050508-5	5/16" x 5-1/2" Hex Head Bolt-G5	2
17	321-05	5/16 Nylock Nut	2
18	330-05	5/16" Flat Washer	4
19	350-TC231	T-Bolt Hose Clamp - 2.32 - 2.62" Diameter (Fits 2" Enforcer)	4
20	105-200PLG075	2" Manifold Plug x 3/4" FPT	1
21	101-075075-H	3/4" MPT x 3/4" HB	1

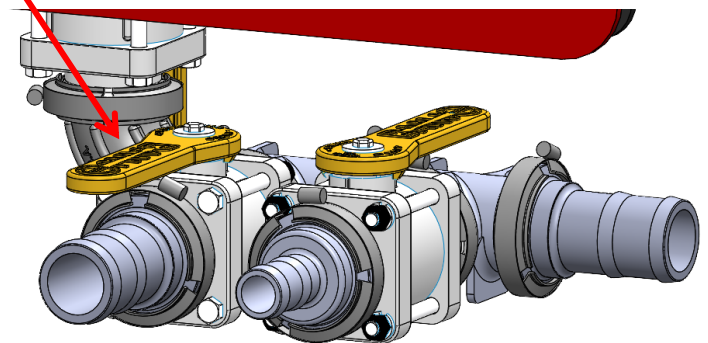


Step by Step Instructions

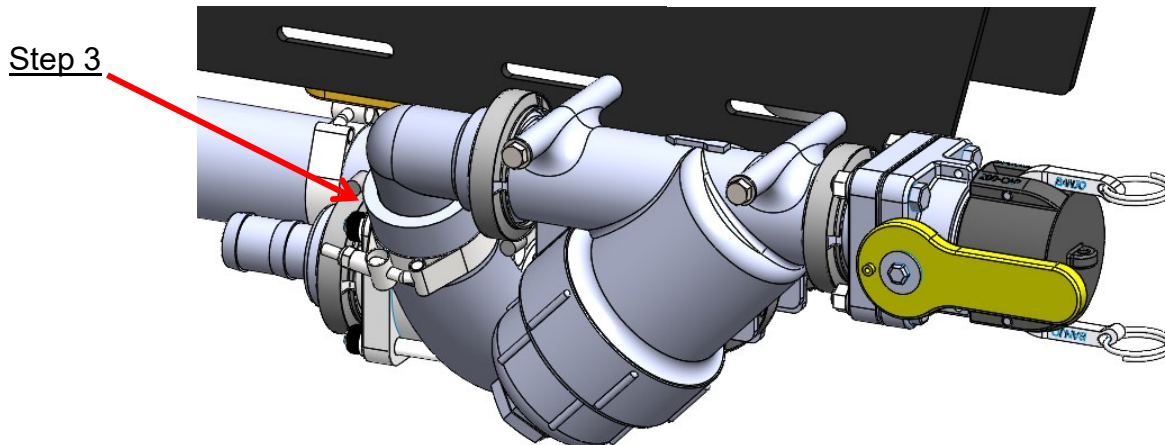


Step 1

1. Thread the correct size manifold flange x MPT fitting into the bottom of the tank on both tanks.
2. Assemble plumbing fittings and valves as shown, using manifold clamps and gaskets.



3. Assemble strainer fittings and install hose as shown.

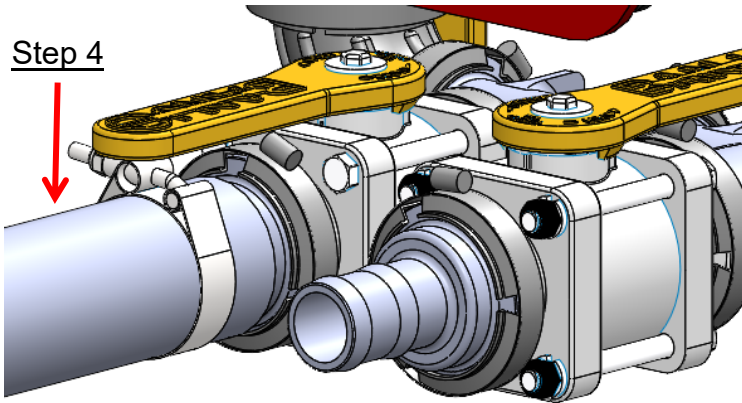


Step 3



Step by Step Instructions

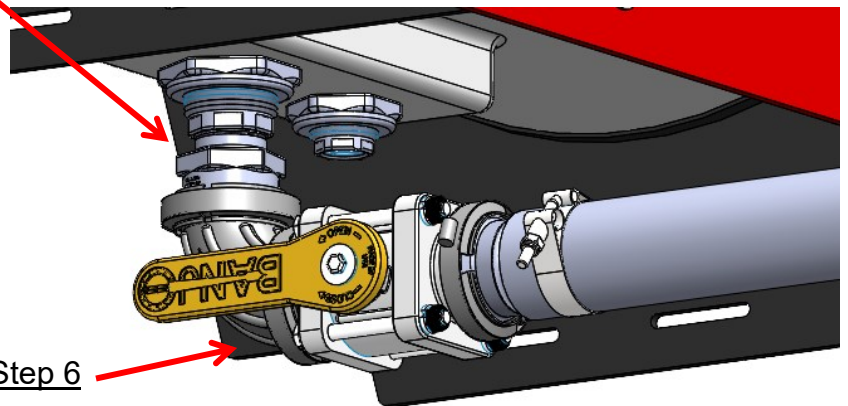
Step 4



4. Route 2" hose from 105-200BRB to other tank. Use the 105-200150BRB for PumpRight or Tower. Use 105-200PLG075 and 101-075075 exclusively for use with Tower.

Step 5

5. Thread the correct size manifold flange x MPT fitting into the bottom of the tank.
6. Assemble plumbing fittings and valve on the second tank as shown.



Step 6