

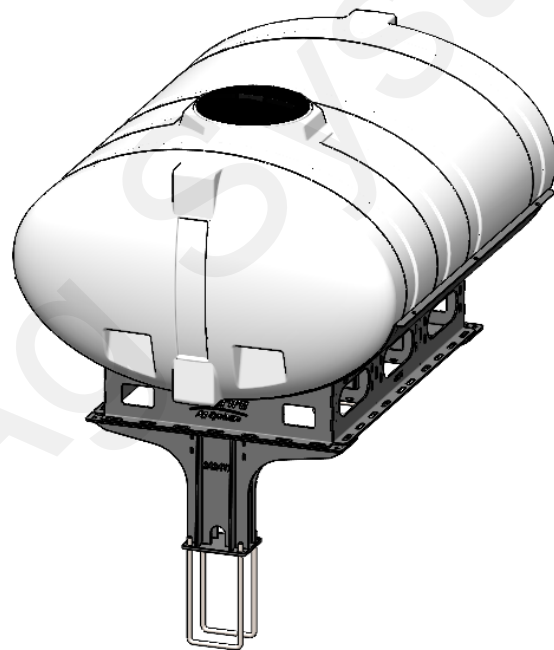


# 396-5041Y1

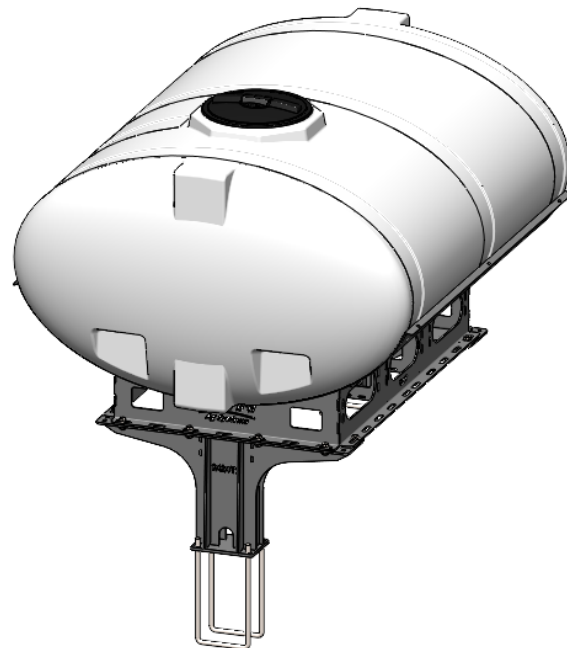
## Kinze 4705 Hitch Mounted Tank Instructions

Planter Manufacturer: **KINZE**

**Kit Number: 530-03-400260**  
**Description: Kinze 4705 Hitch Mount Tank Kit - 600 Gallon**



**Kit Number: 530-03-400275**  
**Description: Kinze 4705 Hitch Mount Tank Kit - 750 Gallon**

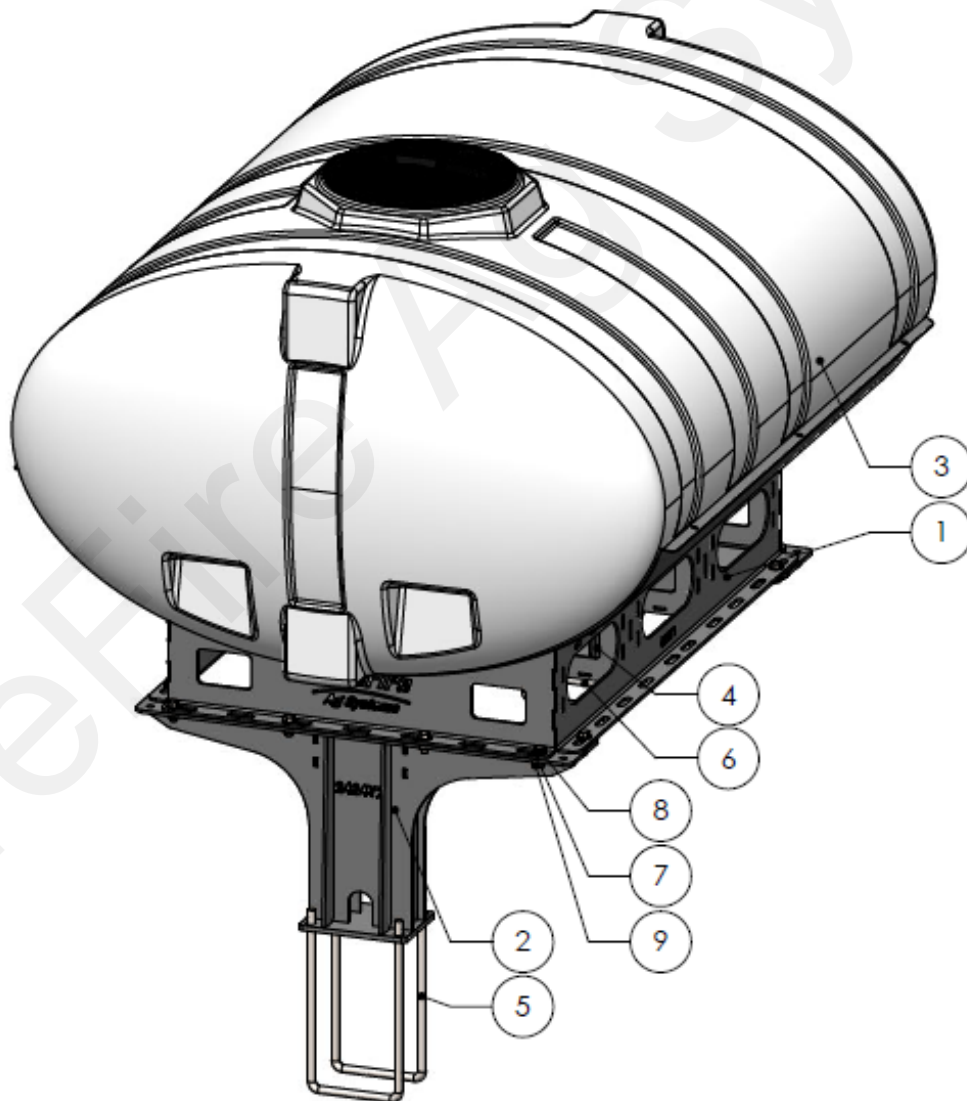




# Parts List and Exploded View

## 530-03-400260

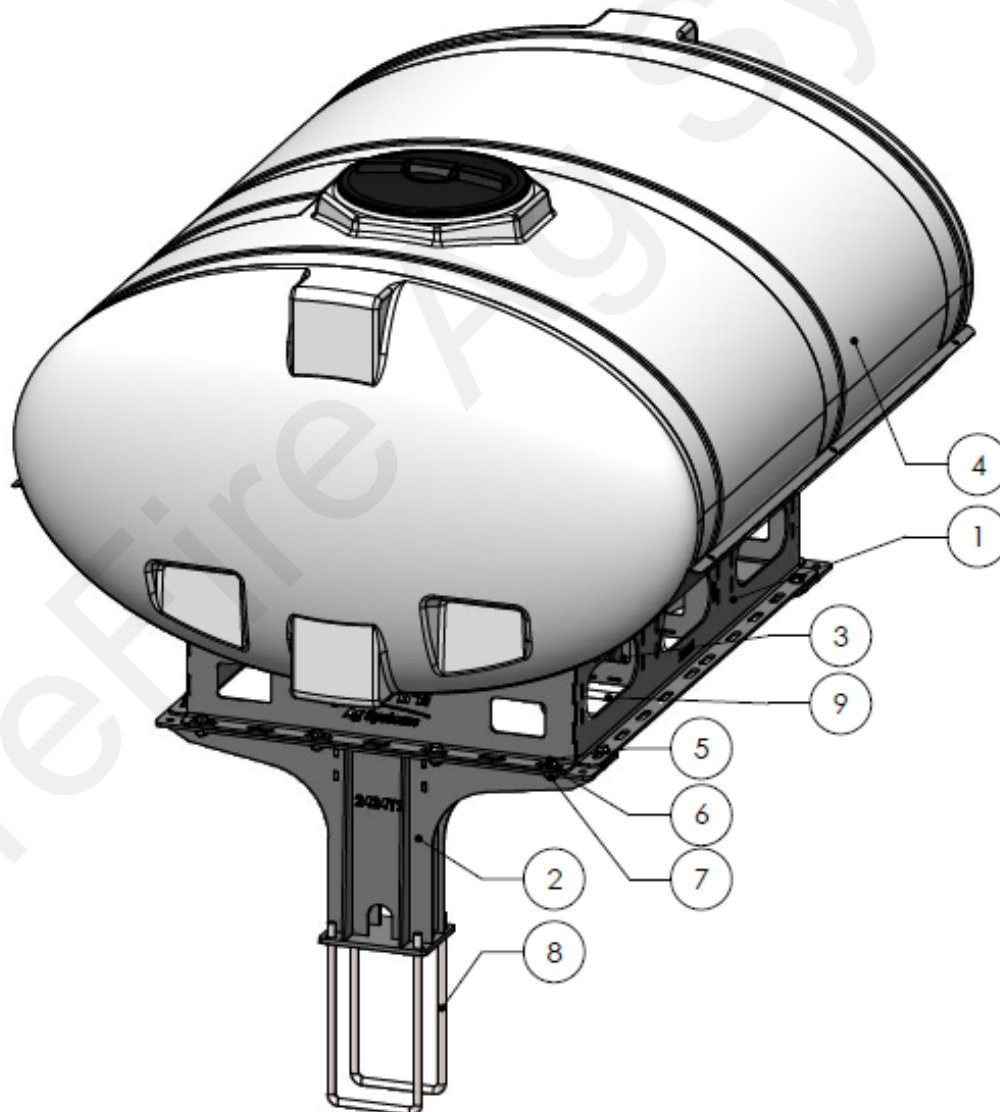
ITEM NO.	PART NUMBER	DESCRIPTION	QTY.
1	421-4105Y1	600 Gallon Elliptical Tank Cradle	1
2	421-2424Y2	600/750 Gallon Tank Pedestal	1
3	727-01-HE0600-64-CS-W	Elliptical Tank - 600 Gal - White	1
4	421-4711Y1	600/750 Gallon Tank Pedestal - 11-7/8"	1
5	380-1067	3/4" U-bolt Kit - fits 8" x 16" tube ( 8" opening)	2
6	380-1078	3/4" U-Bolt Kit - 8" x 4" U-Bolt Kit (8" Opening)	2
7	330-10	5/8" Flat Washer	12
8	300-100108-5	5/8" x 1-1/2" Hex Head Bolt - G5	12
9	323-10	5/8" Flange Nut	12
10	525-750	3" Tank Strap Kit - 600/750 Gallon Tank	3





# Parts List and Exploded View 530-03-400275

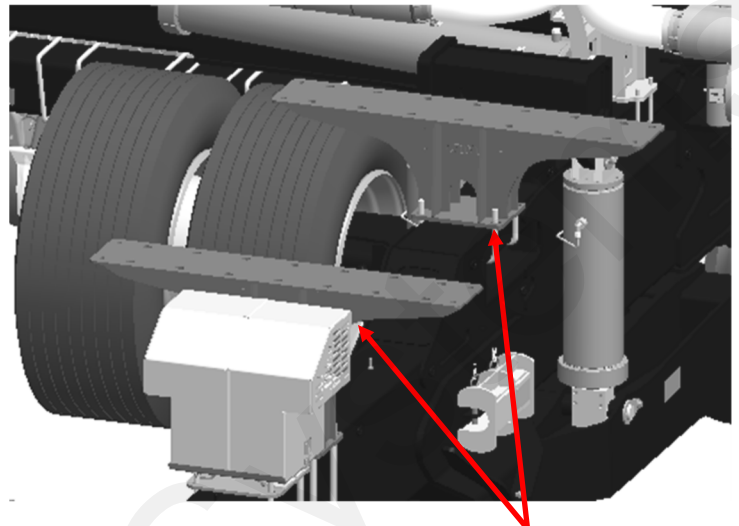
ITEM NO.	PART NUMBER	DESCRIPTION	QTY.
1	421-2364Y1	750 Gallon Elliptical Tank Cradle	1
2	421-2424Y2	750 Gallon Tank Pedestal	1
3	421-4711Y1	750 Gallon Tank Pedestal - 11-7/8"	1
4	727-01-HE0750-69-OS-W	Elliptical Tank - 750 Gal - White	1
5	300-100108-5	5/8" x 1-1/2" Hex Head Bolt - G5	12
6	330-10	5/8" Flat Washer	12
7	323-10	5/8" Flange Nut	12
8	380-1067	3/4" U-bolt Kit - fits 8" x 16" tube ( 8"opening)	2
9	380-1078	3/4" x 8" x 4" U-Bolt Kit (8" Opening)	2
10	525-750	3" Tank Strap Kit - 600/750 Gallon Tank	3



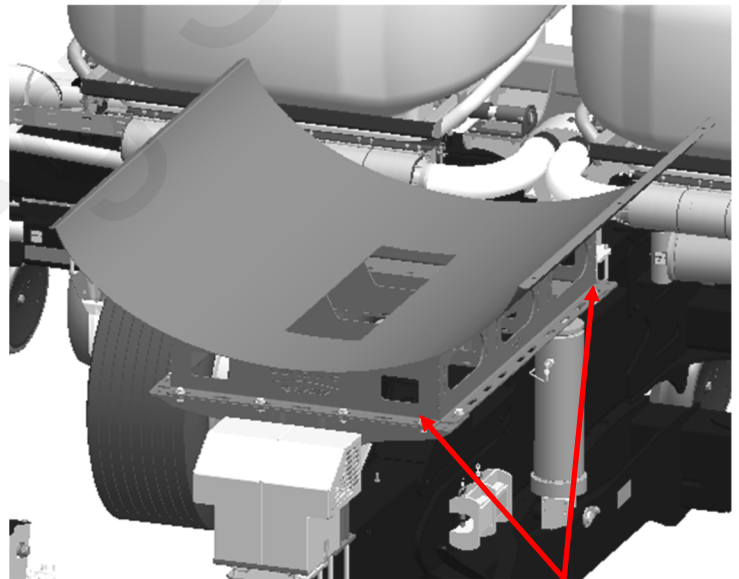


# Step by Step Instructions

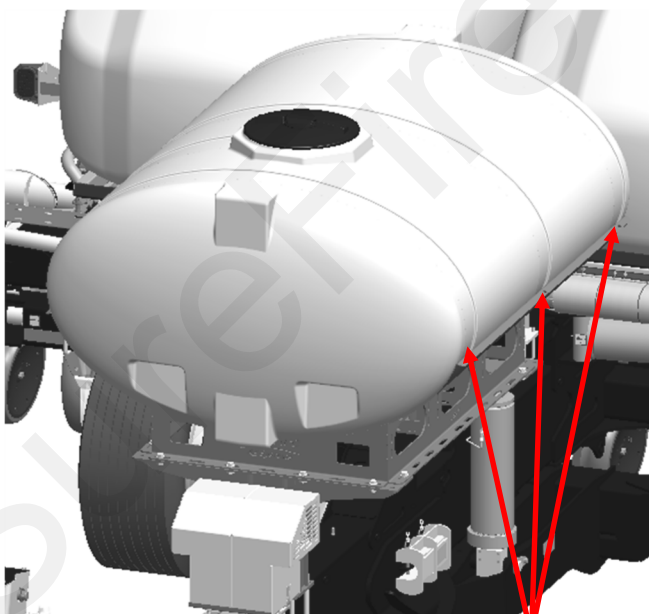
1. Place the 4711Y1 pedestal on the raised rear bar, and the 2424Y1 pedestal on the main hitch bar. Loosely bolt them to their respective bar using the provided U-Bolts.
2. If your planter has markers, use the 5428Y1 marker stop bracket to shim the marker stops up. Replace the original U-Bolts on the marker rest with the provided U-Bolts.
3. Place the cradle on top of the pedestals. Using the 5/8" hardware, loosely bolt the cradle to the pedestals.
4. Place the tank in the cradle, line up the tank strap grooves with the hole pattern in the cradle. Using the tank strap kits, tighten the tank down to the cradle. Make sure the tank has proper clearance from the CCS tanks.
5. Tighten down the 5/8" tank cradle hardware, followed by the U-Bolts.
6. Tighten the tank straps after first filling.



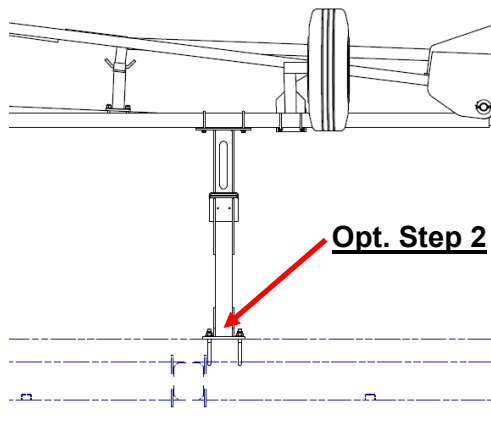
**Step 1**



**Step 3**



**Step 4**



**Opt. Step 2**

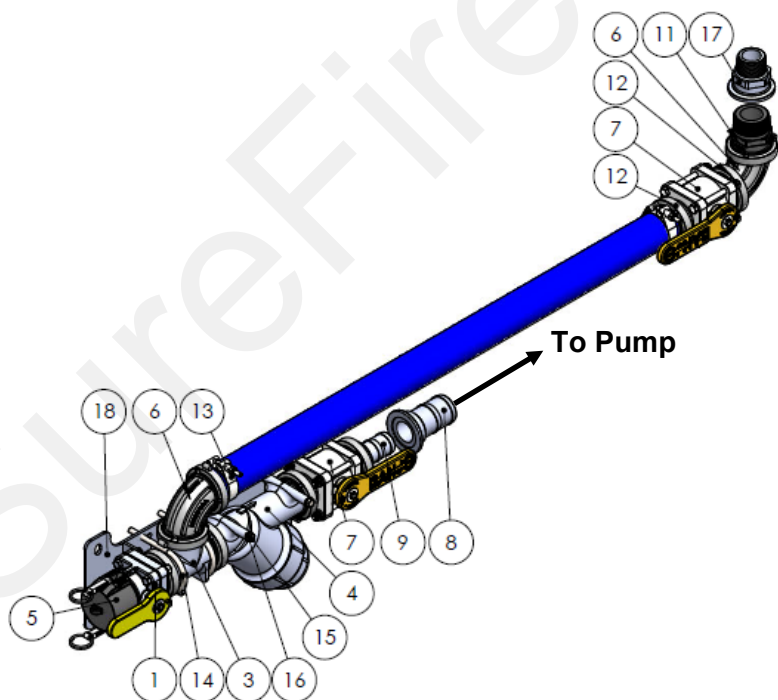


# Kinze 4705 Fill Kit

**Kit Number: 520-00-250500**

**Description: Kinze 4705/4905 Hitch Tank 2" Fill/Discharge Kit**

ITEM NO.	PART NUMBER	DESCRIPTION	QTY.
1	102-200VSFCF	200 Series Manifold x 2" Male Quick Coupler	1
2	105-150G-H	1-1/2" EPDM Gasket	9
3	105-200TEE	2" Flanged Tee Fitting	1
4	109-200MLS-20M	2" Manifold Y Strainer - 20 Mesh	1
5	106-200CAP	2" Cap	1
6	105-200SWP90	2" Manifold Sweep - 90 Degree	2
7	102-200MVCF	2" Manifold Ball Valve	2
8	105-200BRB	2" Manifold x 2" HB	3
9	105-200150BRB	2" Manifold X 1-1/2" Barb	1
10	280-200-ENF	2" Enforcer Fertilizer Solution Hose (ft)	20
11	105-200MPT	2" Manifold x 2" MPT	1
12	105-FC200	2" Manifold Clamp	9
13	350-TC231	T-Bolt Hose Clamp - 2" Enforcer	2
14	302-UB222	M220 U-Bolt Assembly - 2 U-Bolt Kits	1
15	300-050508-5	5/16" x 5-1/2" Hex Head Bolt - G5	2
16	330-05	5/16" Flat Washer	2
17	105-200150MPT	2" Manifold X 1-1/2" Male	1
18	435-4974Y1	Kinze 4905 Bulk Fill Stair Fill Kit Mounting Bracket	1
19	350-TC181	T-Bolt Hose Clamp - 1-1/2" Enforcer	2
20	300-060100-5	3/8" x 1" Hex Head Bolt - G5	2
21	323-05	5/16" Flange Nut	2
22	323-06	3/8" Flange Nut	2
23	400-4583Y1-BK	Fertilizer Hose Support Bracket	2
24	105-200150BRB45	2" Manifold x 1-1/2" HB - 45 Degree	1
25	105-200BRB45	2" Manifold x 2" HB - 45 Degree	1



1. Mount the 435-4974Y1 bracket to the holes provided in the stairs using the 3/8" x 1" bolts and nuts.
2. Assemble the fill/discharge kit as shown below. Thread the correct size pipe threaded manifold into the bottom tank bung. Use the provided plug to plug the second bung.
3. Route the 2" enforcer hose from the fill port to the discharge kit under the tank. Make sure to keep the hose away from row units and any moving parts.



# Pump Mounting

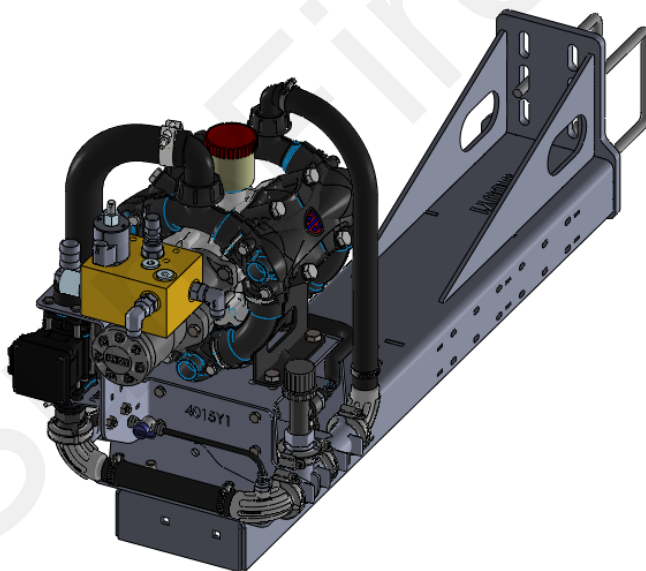
**Kit Number: 515-03-201350**

**Description: Kinze 4705 Rear Pump Mounting Kit**

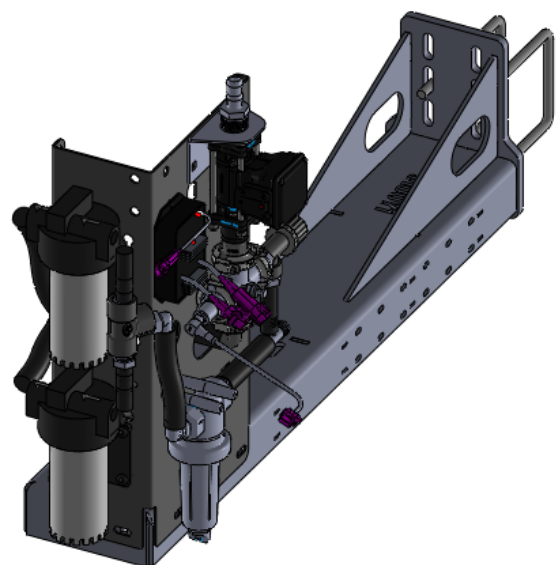
PART NO	DESCRIPTION	QTY
400-5100Y1-BK	Bar Mounted Pump Mounting Bracket	1
330-08	1/2" Flat Washer	4
300-080108-5	1/2" x 1-1/2" Hex Head Bolt—G5	4
323-08	1/2" Flange Nut	4
380-1014	1/2" U-Bolt Kit - fits 5" x 7" tube	2

1. Mount the 5100Y1 bracket to the rear of the planter (shown to the right) using the provided U-Bolts. You may have to loosen and lower the flasher bracket on the wing of the planter to prevent obstruction.
2. Once the bracket is in place, tighten the U-Bolts.
3. Place the pump on the 5100Y1 bracket and loosely bolt the pump onto the bracket. Once you have the pump placed in the configuration shown below, tighten the mounting hardware.

**Step 1**



**PumpRight**



**Tower**