



# 396-5040Y1

## Kinze 4905 12 Row Hitch Mounted Tank Instructions

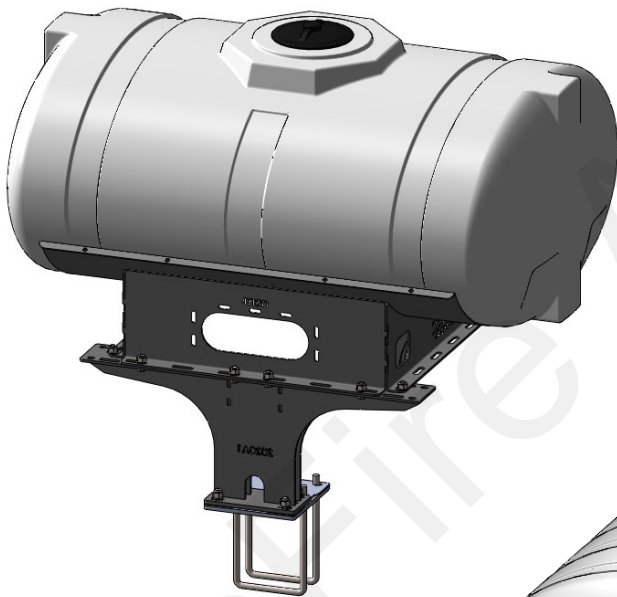
Planter Manufacturer: **KINZE**

Kit Number: 530-03-450030 (300 Gallon Elliptical - No Markers)

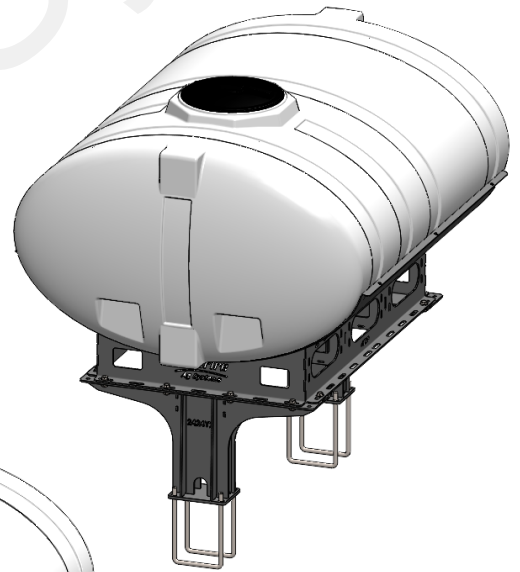
Kit Number: 530-03-450040 (400 Gallon Elliptical - Row Box Only)

Kit Number: 530-03-450050 (500 Gallon Elliptical - Row Box Only)

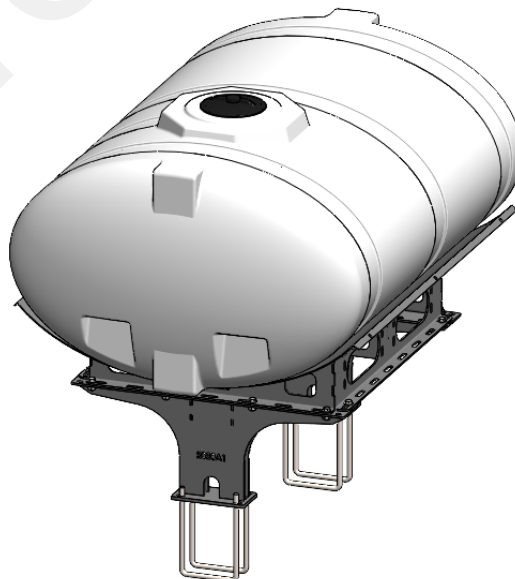
Kit Number: 530-03-450060 (600 Gallon Elliptical - Row Box Only)



**300 Gallon**



**600 Gallon**



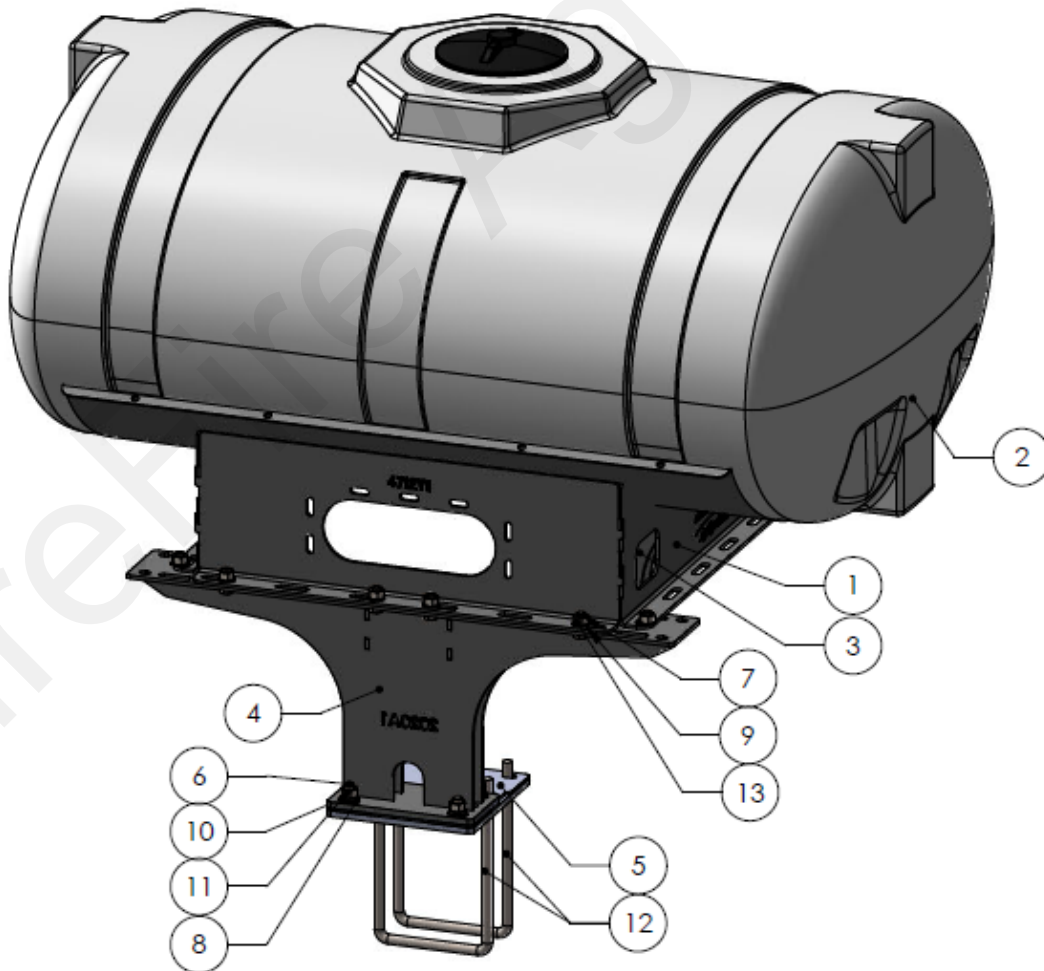
**400/500 Gallon**



# Parts List and Exploded View

## 530-03-450030

ITEM NO.	PART NUMBER	DESCRIPTION	QTY.
1	421-4712Y1	300 Gallon Elliptical Cradle	1
2	727-01-HE0300-48-W	300 Gallon Elliptical Tank - White	1
3	435-5411Y1	Kinze 4905 12R Hitch Mounted Tank Rear Pedestal	1
4	421-2020A1	Planter Hitch Mount for Tank Cradle (400 or 500 gallon)	1
5	420-5415Y1	400/500 Gallon Tank Pedestal U-Bolt Spacer Plate	1
6	300-120200-5	3/4" x 2" HCS	8
7	300-100108-5	5/8" x 1-1/2" HCS	12
8	330-12	3/4" Flat Washer	8
9	330-10	5/8" Flat Washer	12
10	331-12	3/4" Lock Washer	8
11	320-12	3/4" Nut	8
12	380-1066	3/4" U-bolt Kit - fits 8" x 12" tube - ( 8" opening)	2
13	323-10	5/8" Flange Nut	12
14	525-2055	2" Strap Kit for Tanks under 300 Gallon	2

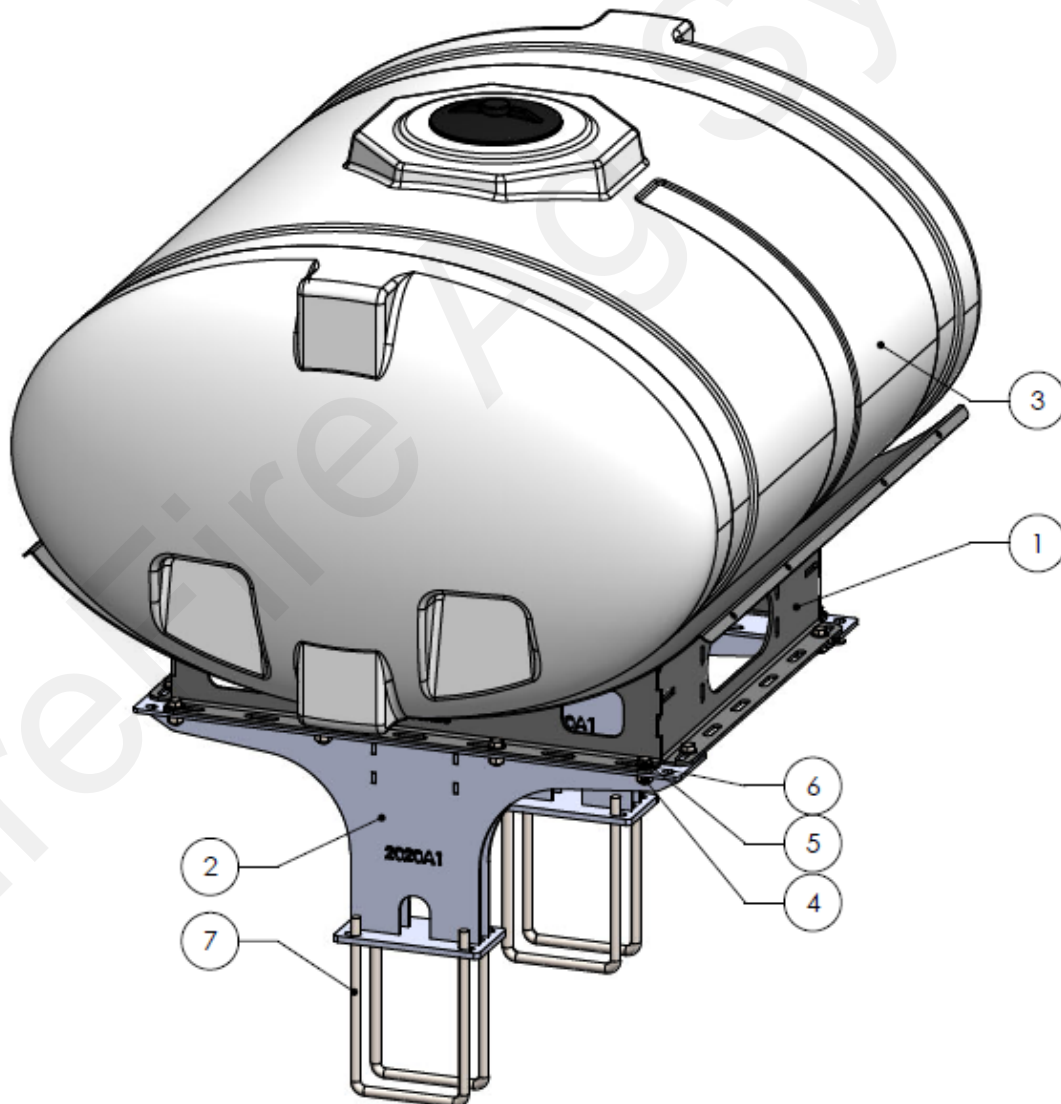




# Parts List and Exploded View

## 530-03-450040

ITEM NO.	PART NUMBER	DESCRIPTION	QTY.
1	421-1333A2	400 Gallon Elliptical Cradle	1
2	421-2020A1	Support Stand for Hitch Mount Tank - 400/500 Gal	2
3	727-01-HE0400-57-W	Elliptical Tank - 400 Gal - White	1
4	323-10	5/8" Flange Nut	12
5	330-10	5/8" Flat Washer	12
6	300-100108-5	5/8" x 1-1/2" HCS	12
7	380-1066	3/4" U-bolt Kit - fits 8" x 12" tube - ( 8" opening)	4
8	525-3000	3" Tank Strap Kit	2

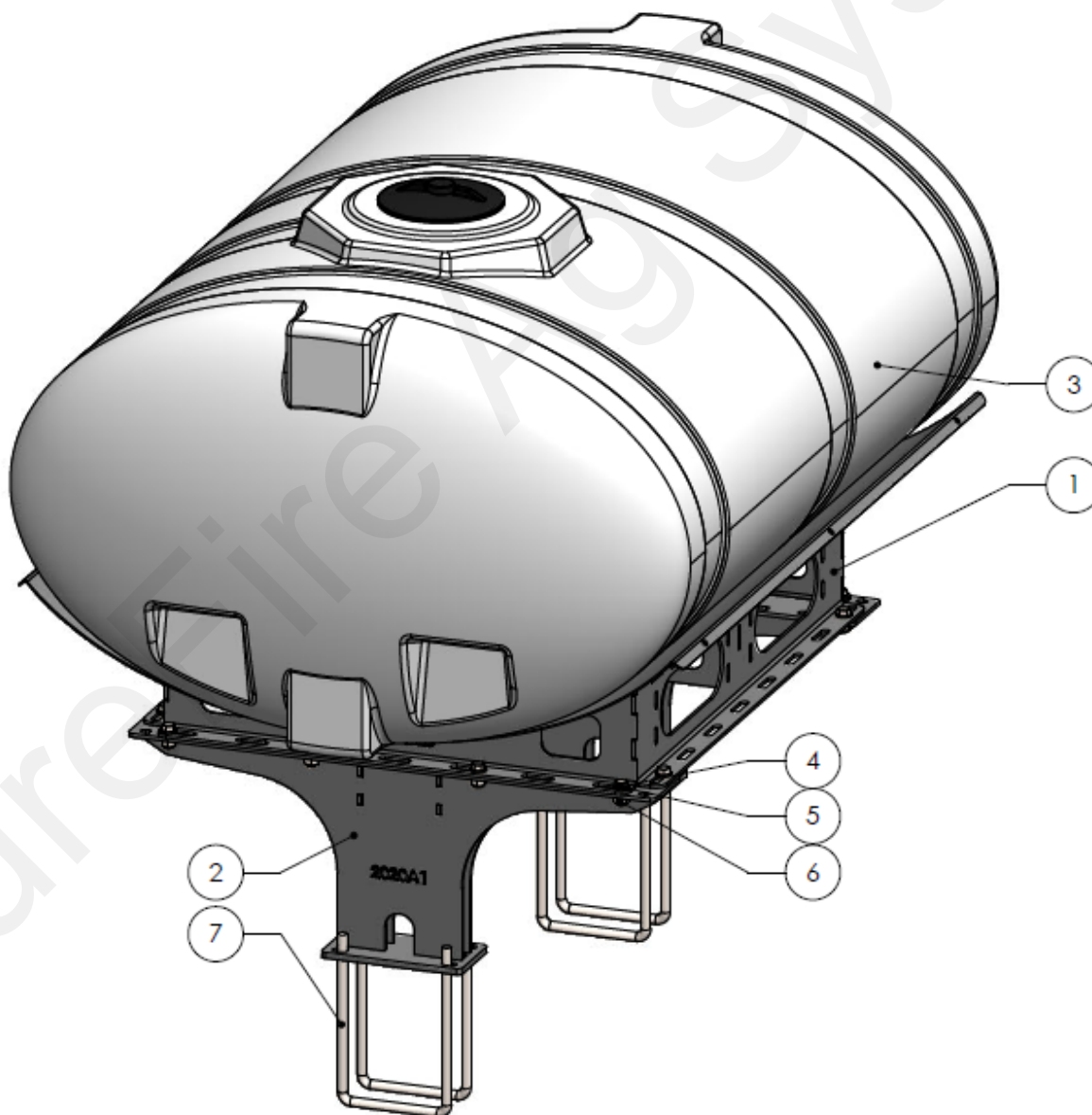




# Parts List and Exploded View

## 530-03-450050

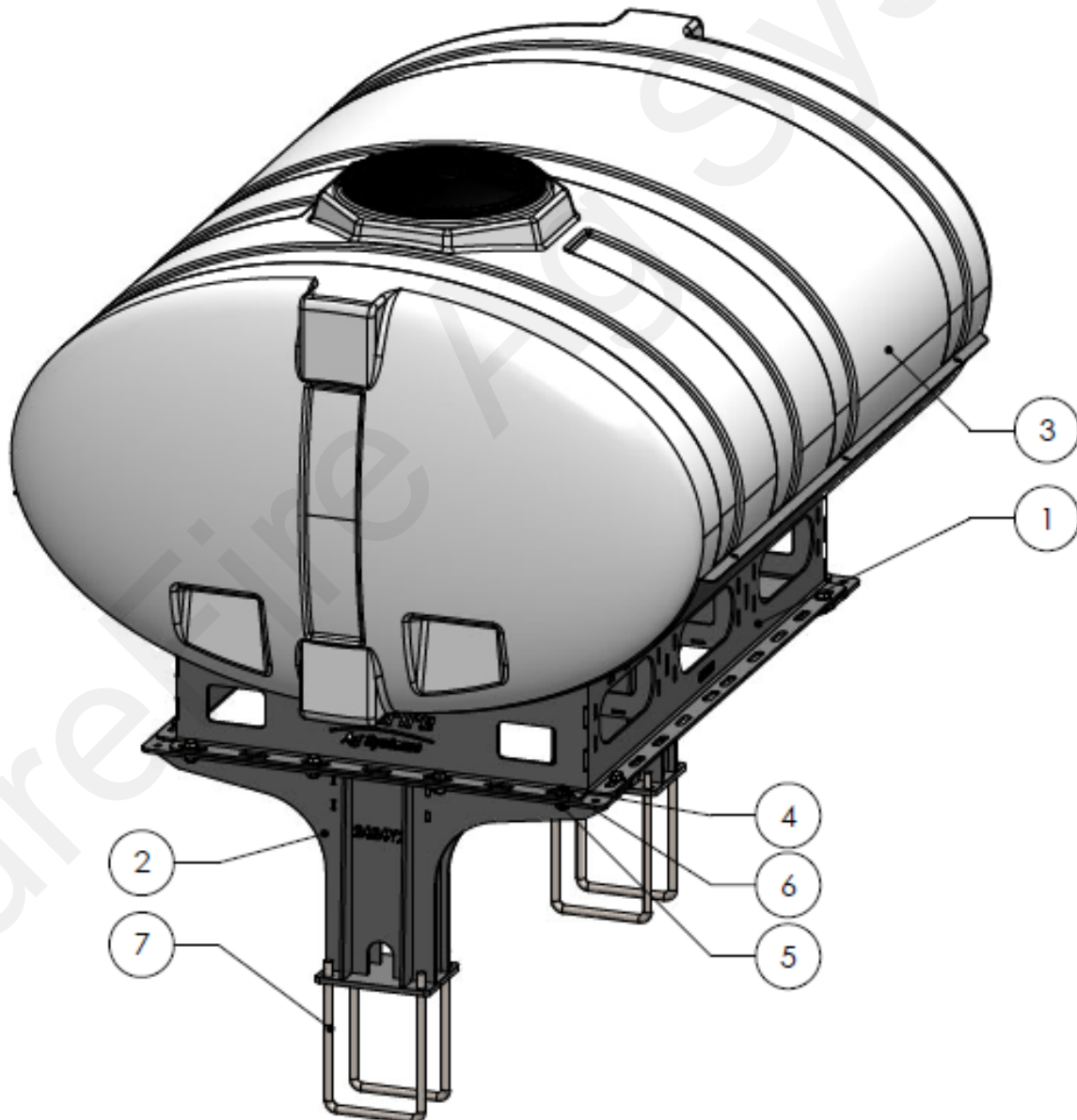
ITEM NO.	PART NUMBER	DESCRIPTION	QTY.
1	421-1329A2	500 Gallon Elliptical Cradle	1
2	421-2020A1	Support Stand for Hitch Mount Tank - 400/500 Gal	2
3	727-01-HE0500-57-CS-W	Elliptical Tank - 500 Gal - White - Center Sump	1
4	300-100108-5	5/8" x 1-1/2" HCS	12
5	330-10	5/8" Flat Washer	12
6	323-10	5/8" Flange Nut	12
7	380-1066	3/4" U-bolt Kit - fits 8" x 12" tube - ( 8" opening)	4
8	525-3000	3" Tank Strap Kit	3





# Parts List and Exploded View 530-03-450060

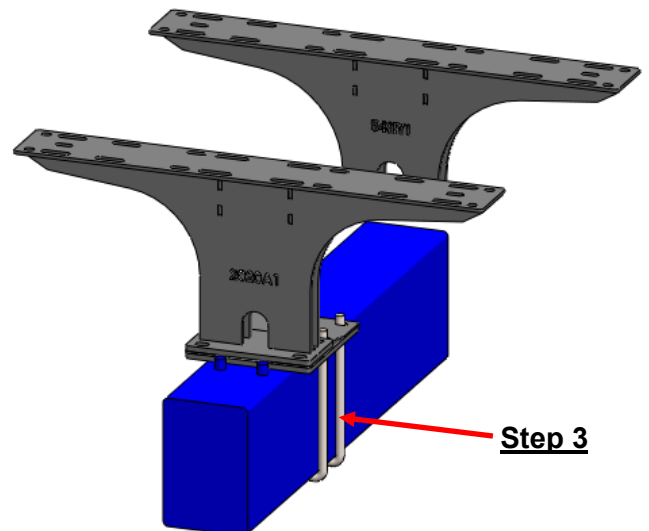
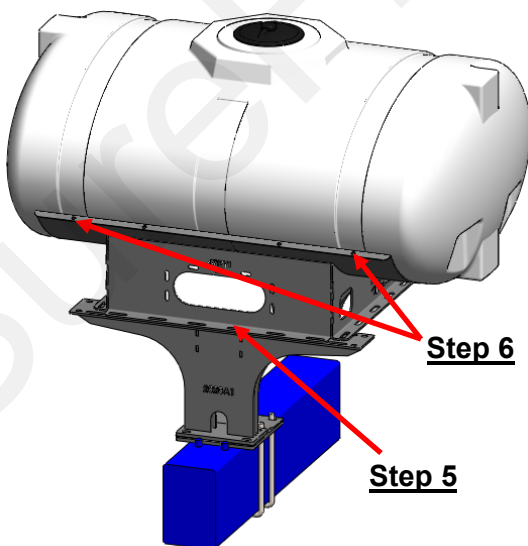
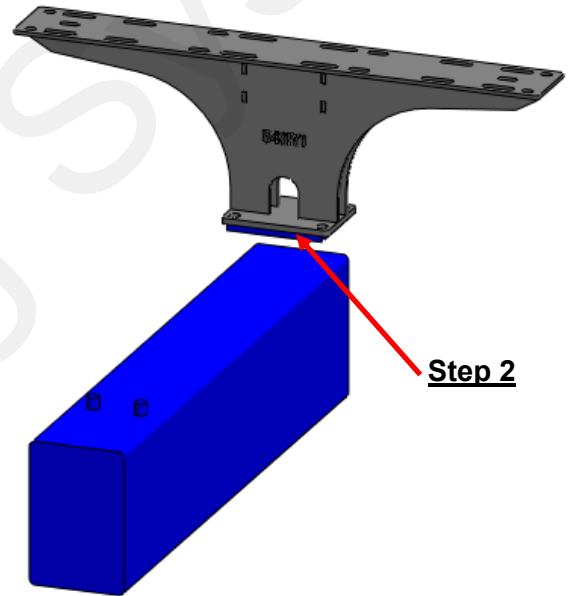
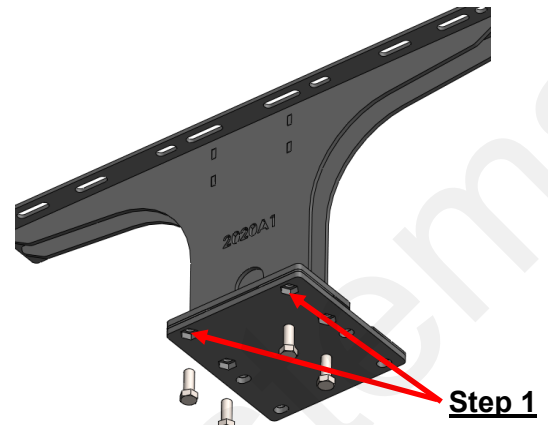
ITEM NO.	PART NUMBER	DESCRIPTION	QTY.
1	421-4105Y1	600 Gallon Elliptical Tank Cradle	1
2	421-2424Y2	1775NT - 750 Gallon Tank Stand	2
3	727-01-HE0600-64-CS-W	Elliptical Tank - 600 Gal - White - Center Sump	1
4	300-100108-5	5/8" x 1-1/2" HCS	12
5	323-10	5/8" Flange Nut	12
6	330-10	5/8" Flat Washer	12
7	380-1066	3/4" U-bolt Kit - fits 8" x 12" tube - ( 8" opening)	4
8	525-3000	3" Tank Strap Kit	3





# Step by Step Instructions

1. **For 300 Gallon Only:** Bolt the 5415Y1 U-Bolt offset plate to the bottom of 2020A1 pedestal using provided 3/4" hardware.
2. **For 300 Gallon Only:** Place the 5411Y1 pedestal on the hydraulic cylinder bracket and loosely bolt it on using the provided 3/4" hardware.
3. **For 300 Gallon Only:** Place the 2020A1 pedestal on the hitch as far forward as possible. Make sure that the U-Bolt offset plate is toward the rear of the planter. Loosely bolt the pedestal to the hitch using the provided U-Bolts.
4. **For All Other Kits:** Loosely bolt the 2020A1 pedestals to the hitch using the provided U-Bolts. One should be located in front of the hydraulic cylinder bracket, and one behind.
5. Place the cradle on top of the pedestals and loosely bolt it on using the provided 5/8" hardware. On the 300 gallon kit, the tank will sit perpendicular to the hitch. On all other kits, the tank will sit parallel to the hitch.
6. Place the tank in the cradle and line the tank strap grooves up with the hole pattern in the cradle. Using the tank strap kits, tighten the tank to the cradle.
7. Tighten tank straps after first filling.



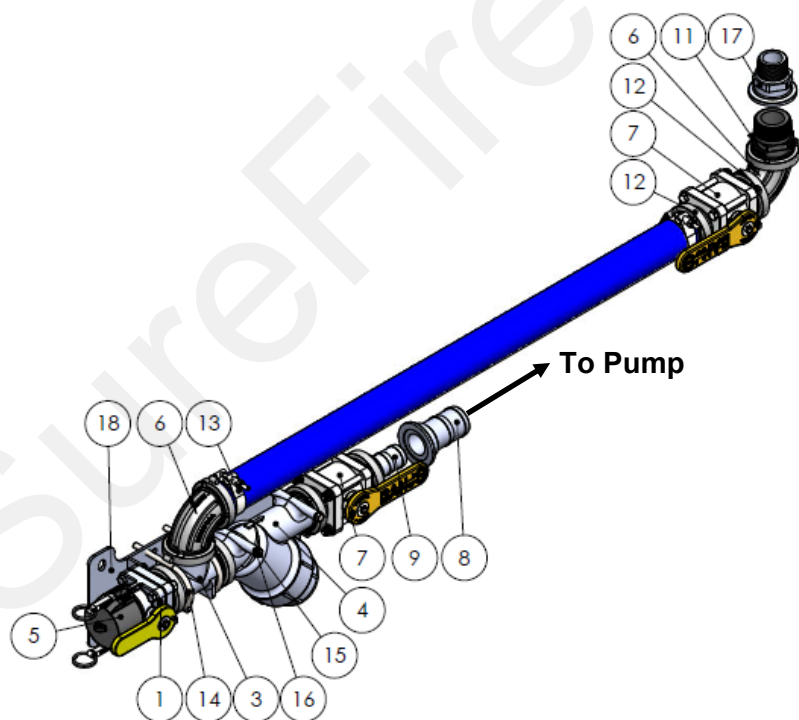


# Kinze 4905 Fill Kit

**Kit Number: 520-00-250500**

**Description: Kinze 4905 Hitch Tank 2" Fill/Discharge Kit**

ITEM NO.	PART NUMBER	DESCRIPTION	QTY.
1	102-200VSFCF	200 Series Manifold x 2" Male Quick Coupler	1
2	105-150G-H	1-1/2" EPDM Gasket	9
3	105-200TEE	2" Flanged Tee Fitting	1
4	109-200MLS-20M	2" Manifold Y Strainer - 20 Mesh	1
5	106-200CAP	2" Cap	1
6	105-200SWP90	2" Manifold Sweep - 90 Degree	2
7	102-200MVCF	2" Manifold Ball Valve	2
8	105-200BRB	2" Manifold x 2" HB	3
9	105-200150BRB	2" Manifold X 1-1/2" Barb	1
10	280-200-ENF	2" Enforcer Fertilizer Solution Hose (ft)	20
11	105-200MPT	2" Manifold x 2" MPT	1
12	105-FC200	2" Manifold Clamp	9
13	350-TC231	T-Bolt Hose Clamp - 2" Enforcer	2
14	302-UB222	M220 U-Bolt Assembly - 2 U-Bolt Kits	1
15	300-050508-5	5/16" x 5-1/2" Hex Head Bolt - G5	2
16	330-05	5/16" Flat Washer	2
17	105-200150MPT	2" Manifold X 1-1/2" Male	1
18	435-4974Y1	Kinze 4905 Bulk Fill Stair Fill Kit Mounting Bracket	1
19	350-TC181	T-Bolt Hose Clamp - 1-1/2" Enforcer	2
20	300-060100-5	3/8" x 1" Hex Head Bolt - G5	2
21	323-05	5/16" Flange Nut	2
22	323-06	3/8" Flange Nut	2
23	400-4583Y1-BK	Fertilizer Hose Support Bracket	2
24	105-200150BRB45	2" Manifold x 1-1/2" HB - 45 Degree	1
25	105-200BRB45	2" Manifold x 2" HB - 45 Degree	1



1. Mount the 435-4974Y1 bracket to the holes provided in the stairs using the 3/8" x 1" bolts and nuts.
2. Assemble the fill/discharge kit as shown below. Thread the correct size pipe threaded manifold into the bottom tank bung. Use the provided plug to plug the second bung.
3. Route the 2" enforcer hose from the fill port to the discharge kit under the tank. Make sure to keep the hose away from row units and any moving parts.

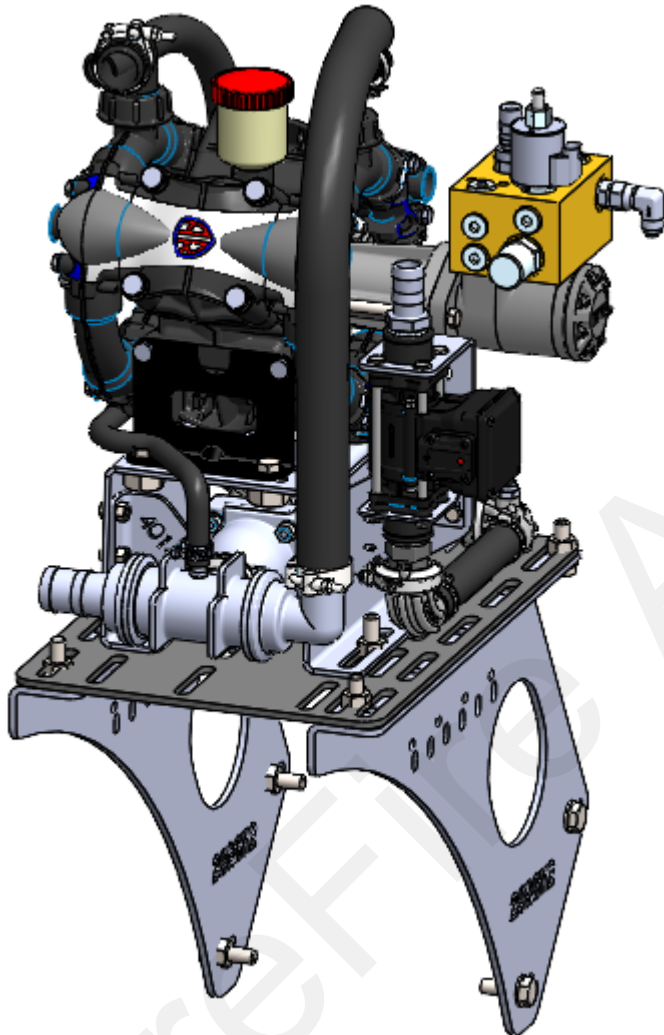


# Over the Tire Pump Mounting Kit

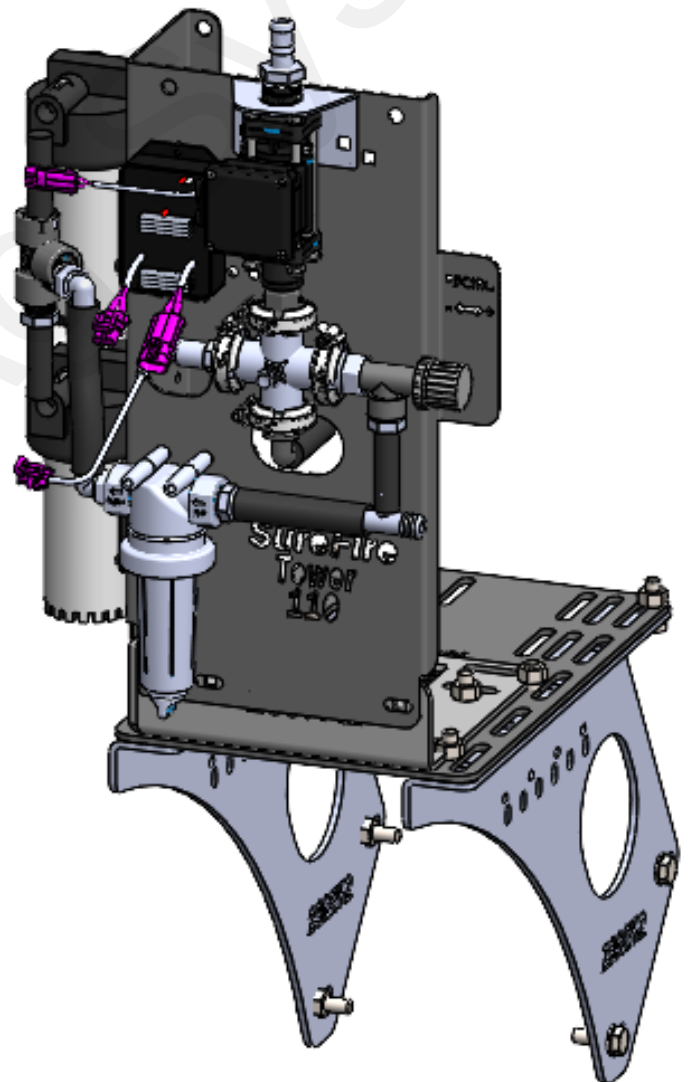
Kit Number: 515-201300

Description: Kinze 4905 16R/12R Over the Tire Pump Mounting Kit

Instruction Sheet: 396-2937Y1



**PumpRight**



**Tower**