



# 396-5036Y1

## Kinze 3660/3665 Wing Tank Mounting Instructions

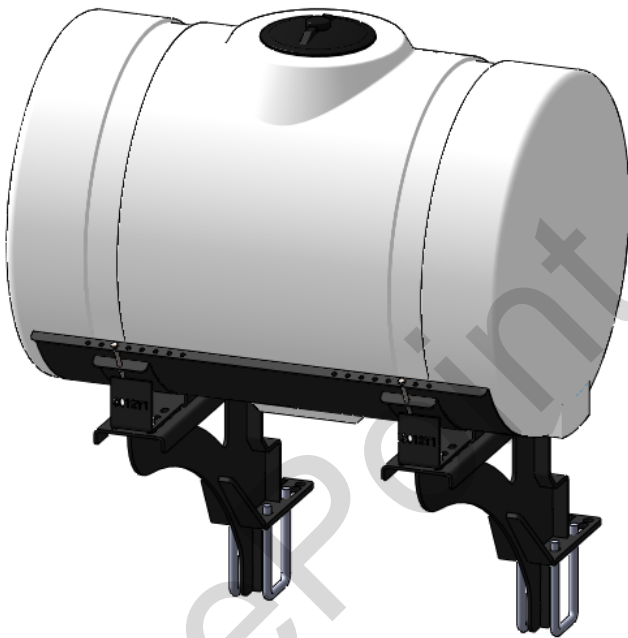
Planter Manufacturer: **KINZE**

Kit Number: 530-03-320150 (150 Gallon Round)

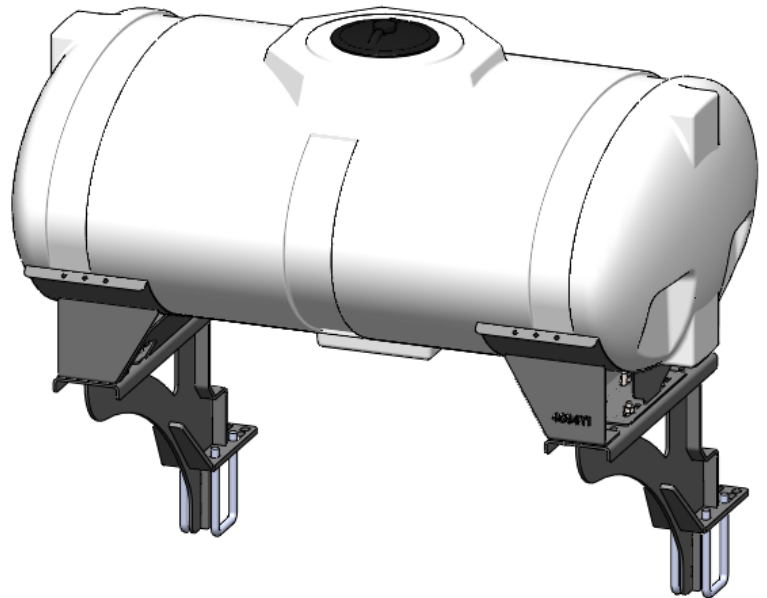
Kit Number: 530-03-320200 (200 Gallon Round)

Kit Number: 530-03-320210 (200 Gallon Elliptical)

Kit Number: 530-03-320300 (200 Gallon Round Low Profile)



**150 Gal Round**



**200 Gal Elliptical**



# SurePoint Ag Systems Fertilizer Tank Safety and Warnings



SurePoint Ag Systems does not recommend transporting your implement with full fertilizer tanks. Doing so can result in damage to brackets and implement.



Remember to wear proper PPE (*Personal Protective Equipment*) when installing SurePoint Ag Systems fertilizer tank kits. Proper PPE includes gloves, foot and eye protection, and hearing protection.



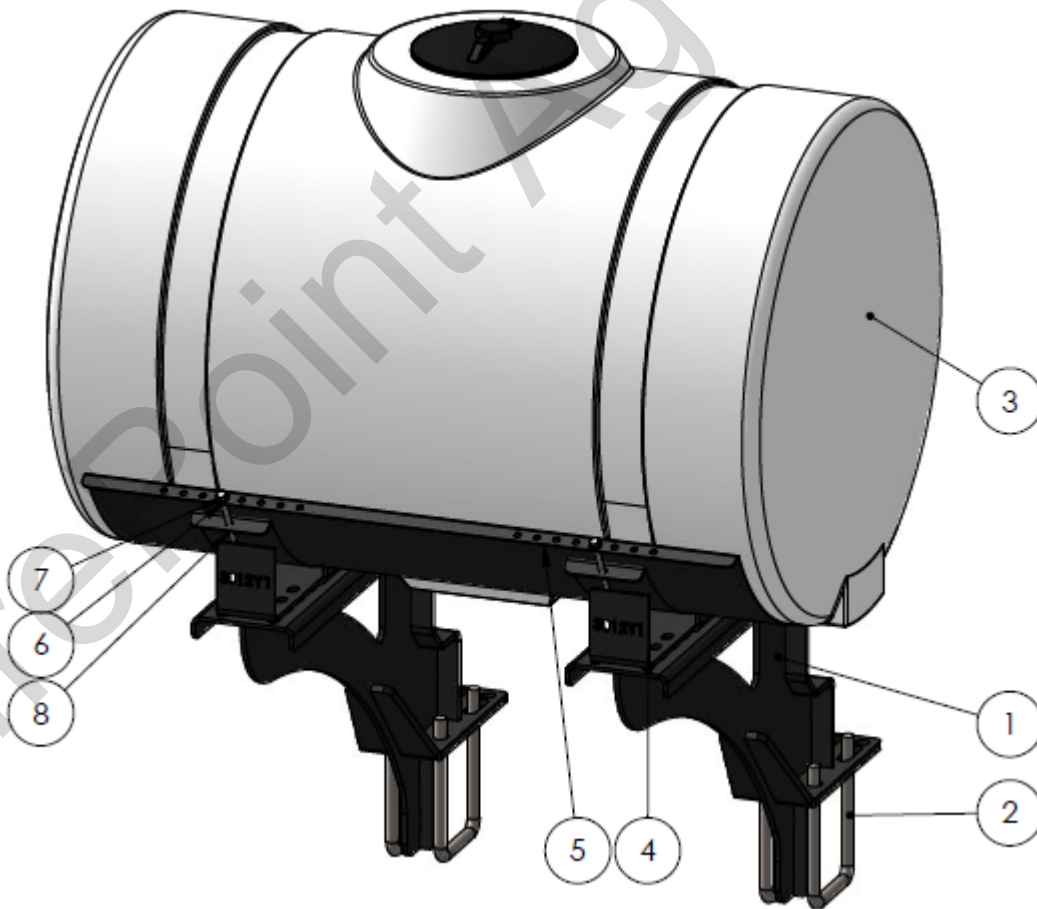
SurePoint Ag Systems fertilizer application systems require winterization when not in use. Refer to your product manual for winterization procedures.

Failure to follow the above warnings can result in personal injury, damage to your SurePoint Ag Systems products, and damage to your implement.



# Parts List and Exploded View 530-03-320150

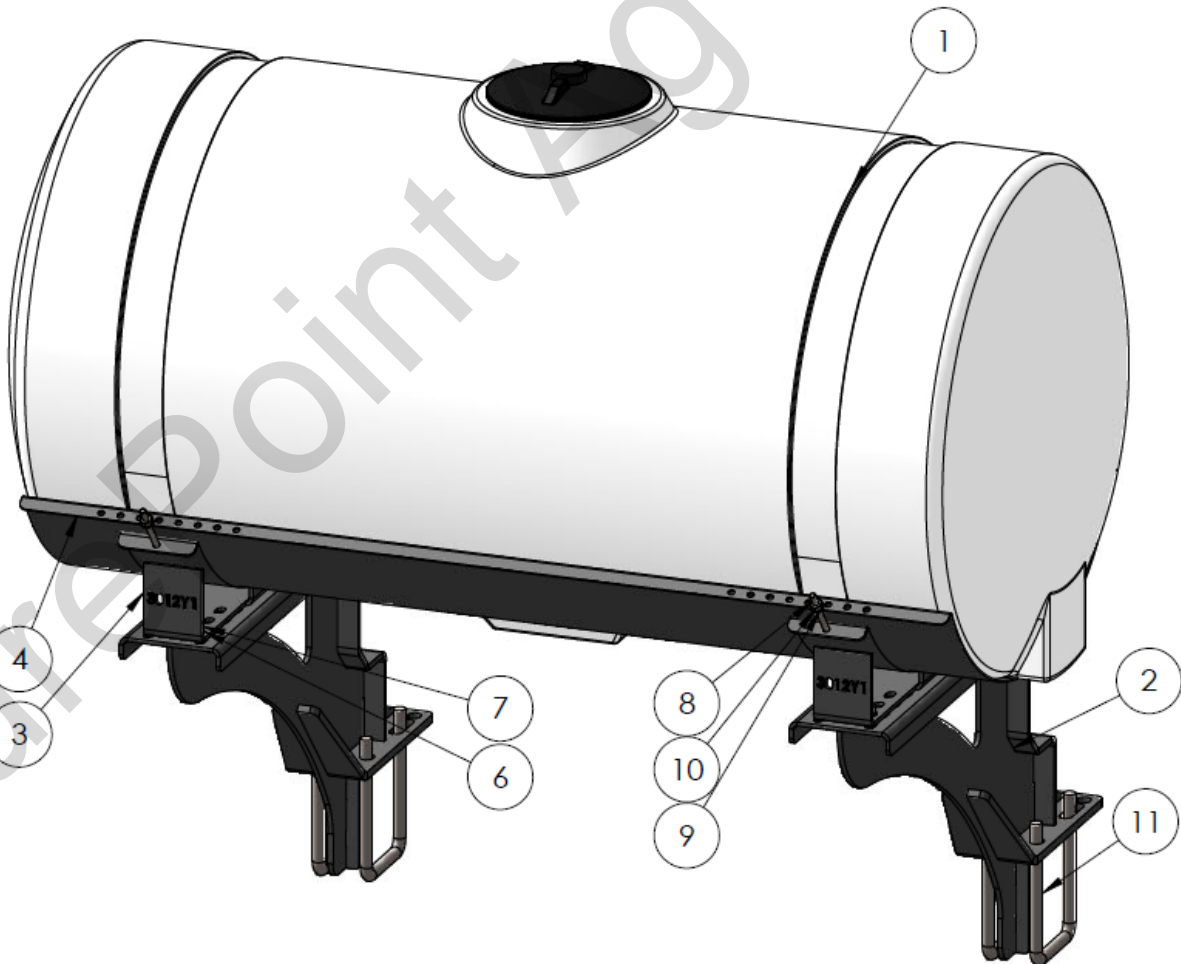
ITEM NO.	PART NUMBER	DESCRIPTION	QTY.
1	420-4724Y1	Kinze 16R Wing Mount Tank Bracket	2
2	380-1074	3/4" U-bolt Kit - fits 4" x 7" tube	4
3	727-02-HZ0150-32-W	Horizontal Tank - 150 Gal - White - 32"	1
4	420-3012Y1	32"Ø Tank Saddle	2
5	420-3003Y1	150 Gallon Round Support Sheet	1
6	330-06	3/8" Flat Washer	8
7	300-060400-5	3/8" x 4" Hex Head Bolt - G5	4
8	321-06	3/8" Nylock Nut	4
9	525-2055	2" Tank Strap Kit	2
10	300-080108-5	1/2" x 1-1/2" Hex Head Bolt - G5	8
11	330-08	1/2" Flat Washer	8
12	323-08	1/2" Flange Nut	8





# Parts List and Exploded View 530-03-320200

ITEM NO.	PART NUMBER	DESCRIPTION	QTY.
1	727-02-HZ0200-32-W	Horizontal Tank - 200 Gal - White - 32"	1
2	420-4724Y1	Kinze 16R Wing Mount Tank Bracket	2
3	420-3012Y1	32"Ø Tank Saddle	2
4	420-3002Y1	200 Gallon Round Support Sheet	1
5	300-080108-5	1/2" x 1-1/2" Hex Head Bolt - G5	8
6	330-08	1/2" Flat Washer	8
7	323-08	1/2" Flange Nut	8
8	300-060400-5	3/8" x 4" Hex Head Bolt - G5	4
9	330-06	3/8" Flat Washer	4
10	323-06	3/8" Flange Nut	4
11	380-1074	3/4" U-bolt Kit - fits 4" x 7" tube (4" opening)	4
12	525-2055	2" Strap Kit for Tanks under 300 Gallon	2

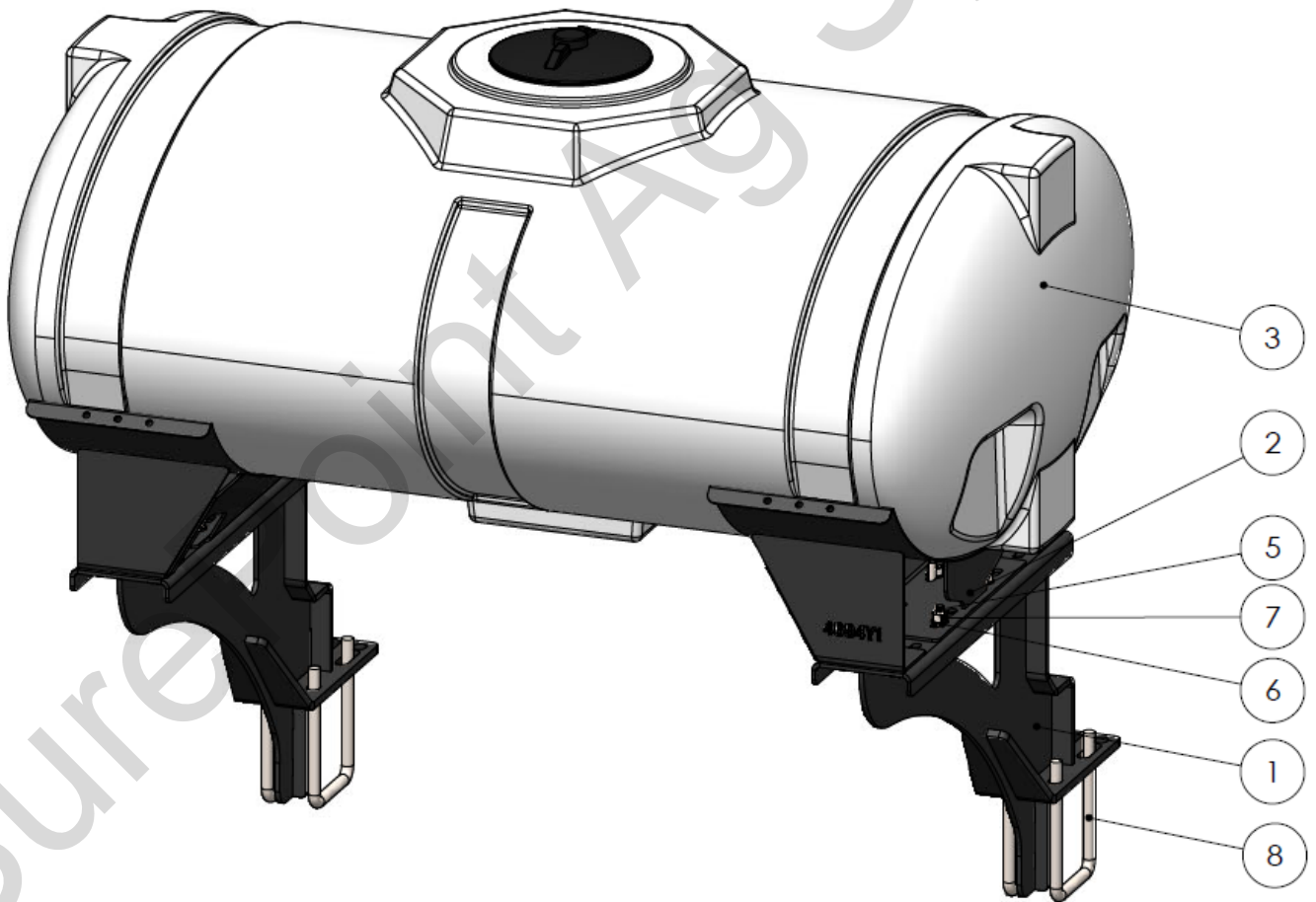




# Parts List and Exploded View

## 530-03-320210

ITEM NO.	PART NUMBER	DESCRIPTION	QTY.
1	420-4724Y1	Kinze 16R Wing Mount Tank Bracket - Weldment	2
2	420-4694Y1	Tank Saddle Weld Assembly for 200 Gal Elliptical Tank	2
3	727-01-HE0200-41-W	Elliptical Tank - 200 Gal - White	1
4	525-2055	2" Strap Kit for Tanks under 300 Gallon	2
5	300-080108-5	1/2" x 1-1/2" Hex Head Bolt - G5	16
6	330-08	1/2" Flat Washer	16
7	323-08	1/2" Flange Nut	16
8	380-1074	3/4" U-bolt Kit - fits 4" x 7" tube (4" opening)	4





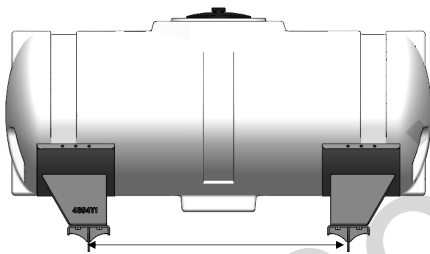
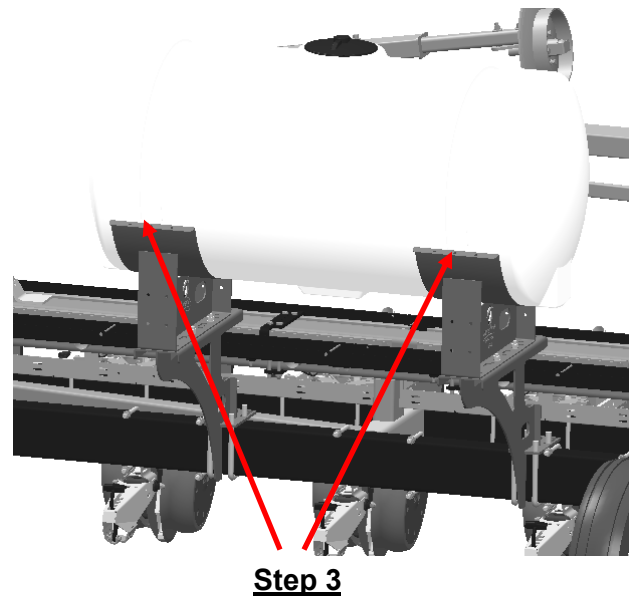
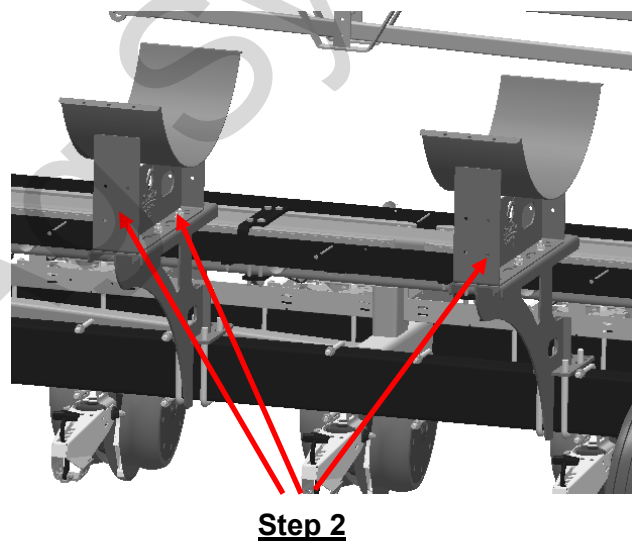
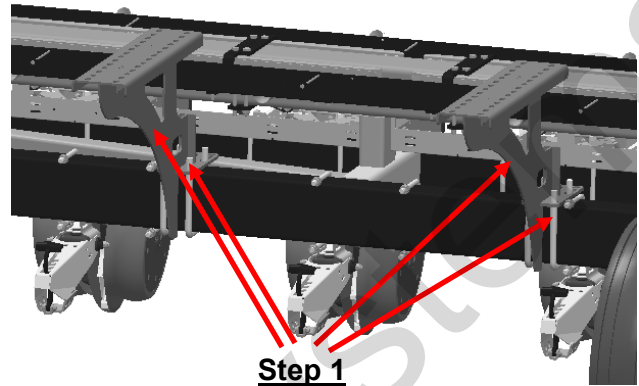
# Parts List and Exploded View 530-03-320300

ITEM NO.	PART NUMBER	DESCRIPTION	QTY.
1	727-02-HZ0200-32-W	Horizontal Tank - 200 Gal - White - 32" x 68"	2
2	420-3032Y1	Offset Bar Mount Saddle for 32"Ø Tank	4
3	420-3002Y1	200 Gallon Round Tank Support Sheet	2
4	380-1045	3/4" U-bolt Kit - fits 7" x 4" tube ( 7" opening)	4
5	300-060400-5	3/8" x 4" HCS G5	8
6	321-06	3/8" Nylock Nut	8
7	330-06	3/8" Flat Washer	8
8	525-2055	2" Strap Kit for Tanks under 300 Gallon	4

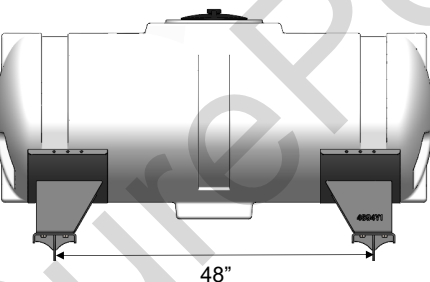


# Step by Step Instructions

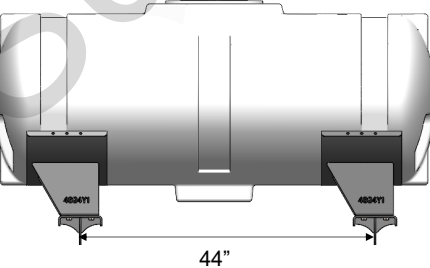
1. Loosely bolt 4724Y1 pedestals to the rear bar using the 380-1074 U-Bolts. You can mount the tanks on the front or rear toolbar depending on your desired mounting location.
2. Using the 1/2" Bolts, nuts, and washers, loosely bolt the saddles to the pedestals. The elliptical saddles can be mounted in several different configurations (see below) to change the footprint of the kit.
3. For Round Tanks: Place the tank support sheet on the saddles and fasten it to the saddles using the provided 3/8" hardware.
4. Place the tank in the saddles, lining the tank strap grooves with the hole pattern in the saddle (make sure tank sits straight in the saddles). Use the tank straps to tighten the tank down to the saddles.
5. Tighten the U-Bolts to the toolbar, followed by the 1/2" saddle mounting bolts.



Elliptical Configuration # 1



Elliptical Configuration # 2

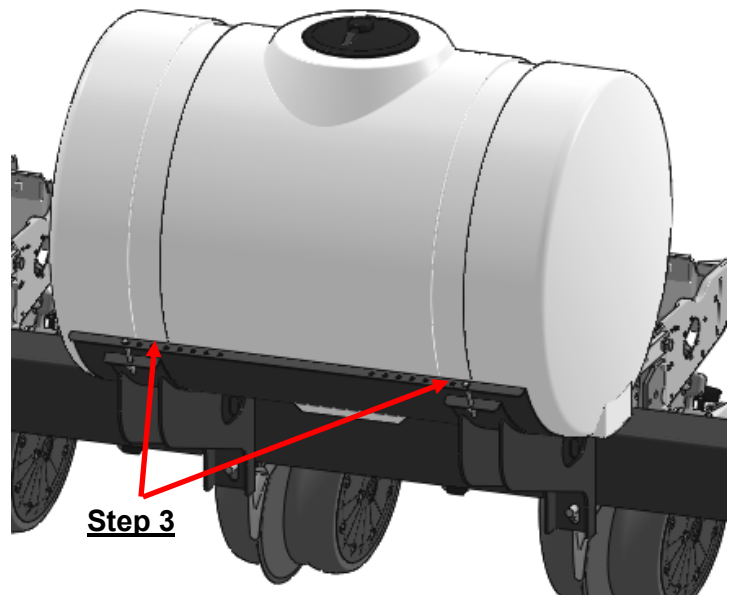
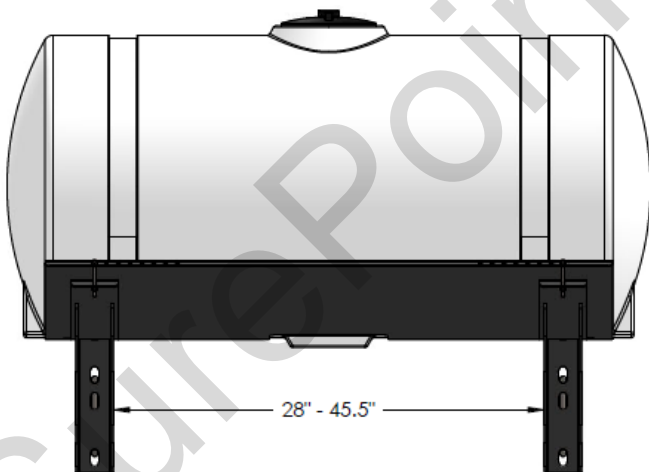
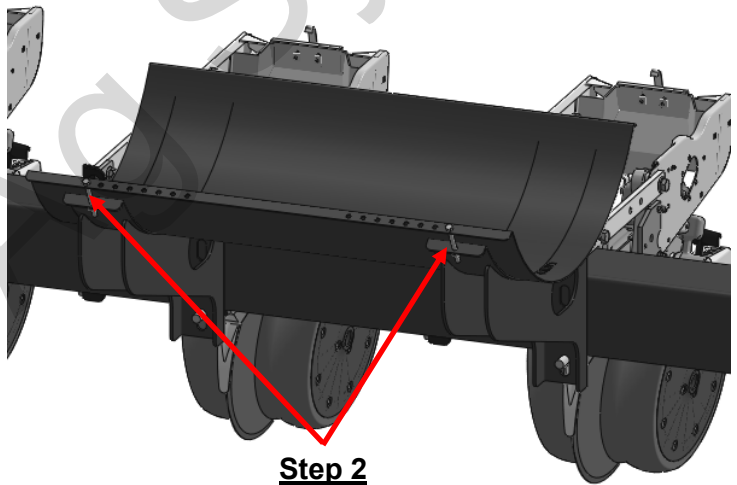
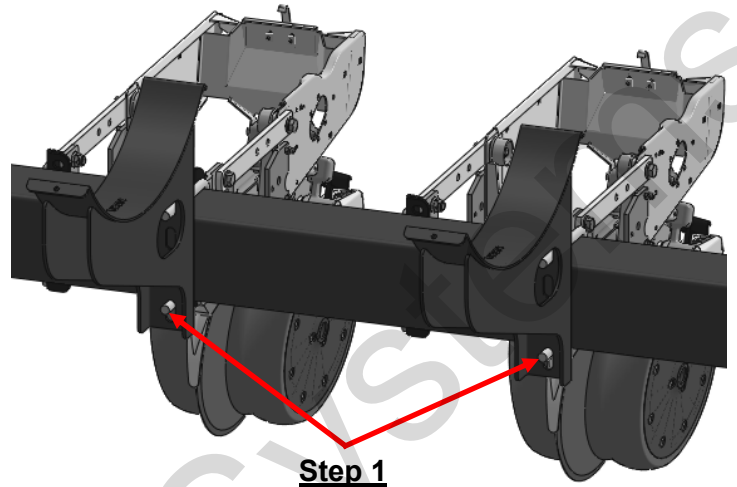


Elliptical Configuration # 3



# Step by Step Instructions Low Profile Tank (Non-Split Row)

1. Using the provided U-Bolts, loosely bolt the tank mounting saddles to the front toolbar. Note that the saddles can be mounted anywhere from 28" to 45.5" apart.
2. Place the tank support sheet onto the saddles. Using the provided 3/8" hardware, loosely fasten the support sheet to the saddles.
3. Place the tank onto the support sheet. Using the tank straps, fasten the tank to the support sheet.
4. Tighten the U-Bolts, followed by the 3/8" support sheet hardware.
5. Tighten the tank straps after first filling to ensure tank is securely fastened to the support sheet.





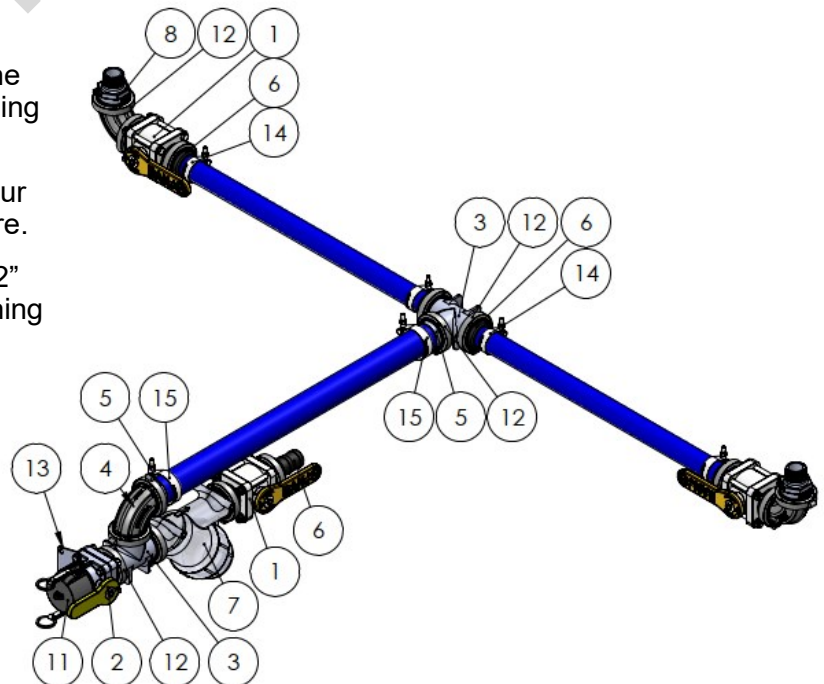


# Fill Kit

## Kit Description: Kinze 3605/3665 16R Wing Tank Fill/Discharge Kit Kit Number: 520-00-250350

ITEM NO.	PART NUMBER	DESCRIPTION	QTY.
1	102-200MVCF	2" Manifold Ball Valve	3
2	102-200VSFCF	200 Series Manifold x 2" Male Quick Coupler Std Port Valve	1
3	105-200TEE	2" Flanged Tee Fitting	2
4	105-200SWP90	2" Manifold Sweep - 90 Degree	3
5	105-200BRB	2" Manifold x 2" HB	2
6	105-200150BRB	2" Manifold X 1-1/2" Barb	5
7*	109-200MLS-20M	2" Manifold Y Strainer - 20 Mesh (OPTIONAL)	1
8	105-200125MPT	2" Manifold x 1-1/4" MPT	2
9	280-200-ENF	2" Enforcer Fertilizer Solution Hose (ft)	10
10	280-150-ENF	1-1/2" Enforcer Fertilizer Solution Hose (ft)	60
11	106-200CAP	2" Cap	1
12	105-FC200	2" Manifold Clamp	15
13	102-200VBR	2" Valve Mounting Bracket	1
14	350-TC181	T-Bolt Hose Clamp - Fits 1-1/2" Enforcer	5
15	350-TC231	T-Bolt Hose Clamp - Fits 2" Enforcer	2
16	330-06	3/8" Flat Washer	2
17	300-050508-5	3/8" x 2-1/2" Hex Head Bolt - G5	2
18	323-06	3/8" Flange Nut	2

1. Thread 105-200125MPT fittings into tank bungs and plug the second bung using the 3/4" threaded plug. Assemble tank plumbing as shown below.
2. Bolt the VBR bracket in the location of your choosing using the provided 3/8" hardware.
3. Route hoses as shown below, using 1-1/2" enforcer to come out of tanks and 2" running from the fill port to the tee assembly.

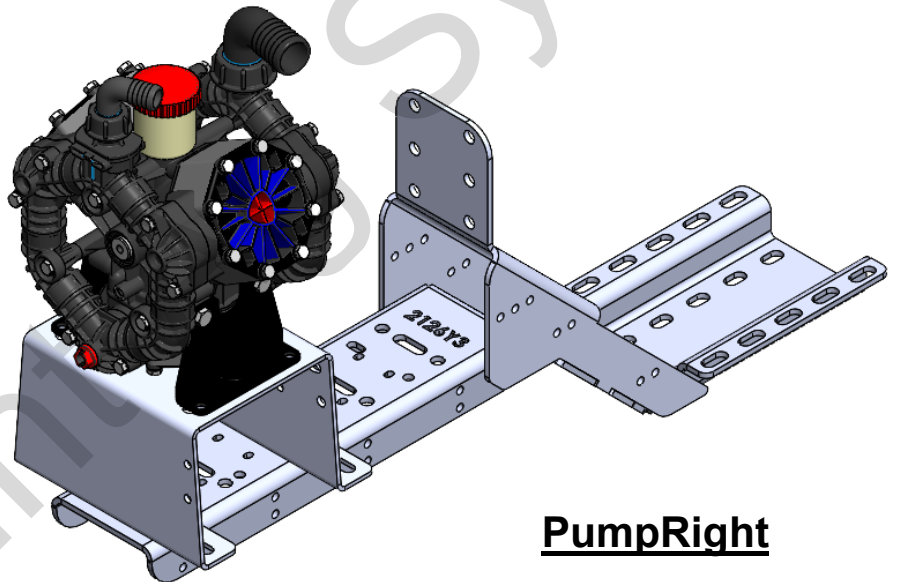


# Pump Mounting

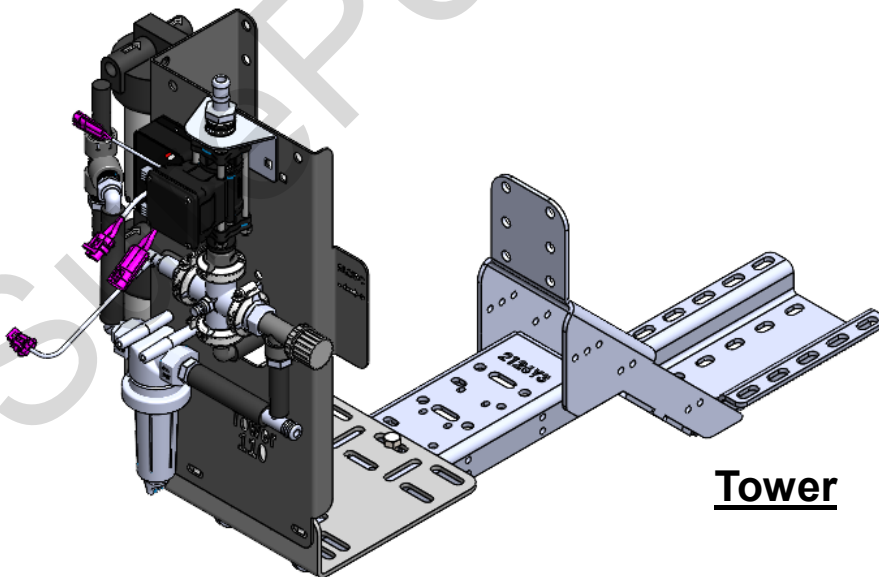
## Kit Description: Between Row Mount Kit for Up to 7x7 Bar Kit Number: 515-03-201600

ITEM NO.	PART NUMBER	DESCRIPTION	QTY.
1	400-2126Y3-BK	Between Row Mounting Bracket	1
2	300-080108-5	1/2" x 1-1/2" Hex Head Bolt - G5	4
3	323-08	1/2" Flange Nut	4
4	380-1039	1/2" U-Bolt Kit - fits 4" x 7" tube - (4" opening)	2

1. Mount bracket to the bar using the 380-1039 U-Bolts. For row box planter mount pump mounting bracket to top bar to ensure proper clearance.
2. Place your pump onto the bracket, use the 1/2" bolts and nuts to fasten it to the bracket.
3. Check around the bracket and pump for obstructions into the rows. Tighten bolts and U-Bolts.



**PumpRight**



**Tower**

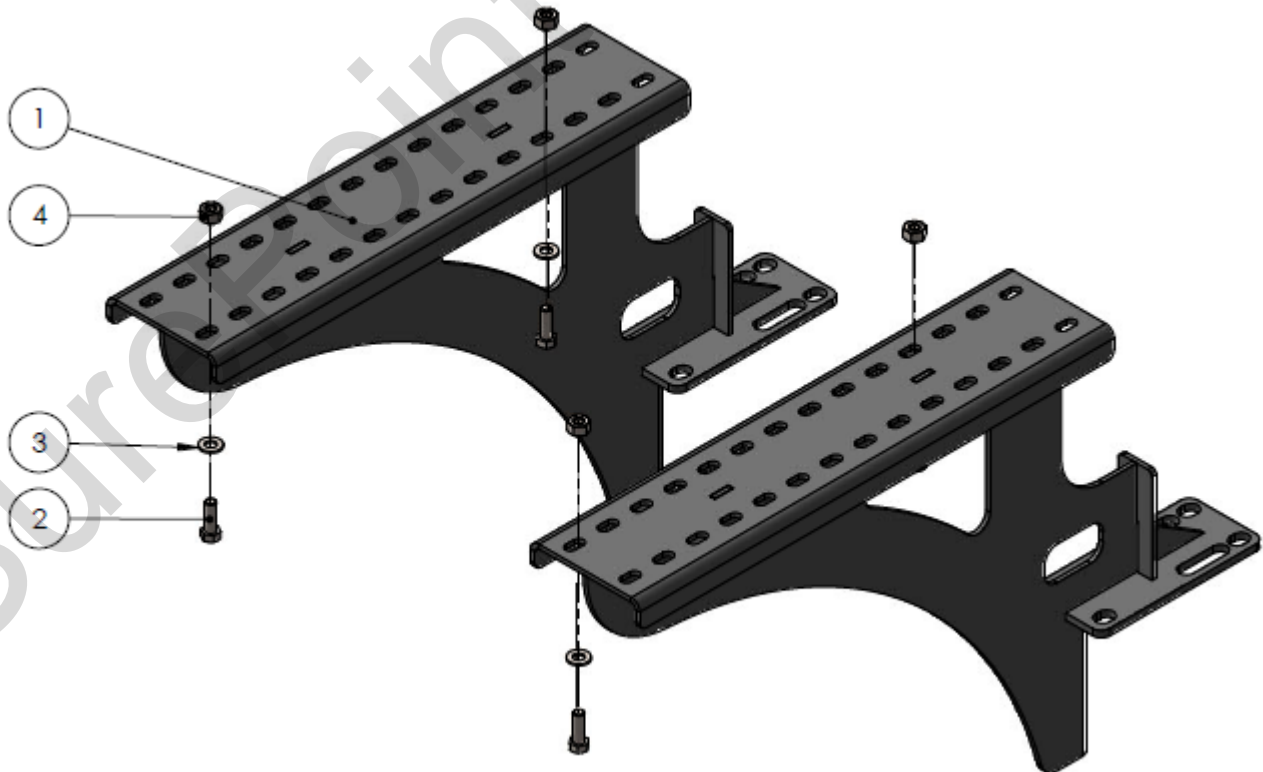


# Accelerator Mounting

## Kit Description: Accelerator Mounting Kit for Kinze 3605/3665 Kit Number: 530-03-350100

ITEM NO.	PART NUMBER	DESCRIPTION	QTY.
1	400-4724Y1-BK	Between Row Mounting Bracket	2
2	300-080108-5	1/2" x 1-1/2" Hex Head Bolt - G5	4
3	330-08	1/2" Flat Washer	4
4	323-08	1/2" Flange Nut	4
5	380-1074	3/4" U-Bolt Kit - fits 4" x 7" tube - (4" opening)	4

1. Loosely bolt 420-4724Y1 brackets to the bar using the provided U-Bolts. Refer to next page for Accelerator dimensions to find the required bracket footprint for your tank.
2. Place Accelerator assembly on mounting brackets, use 1/2" bolts, washers, and nuts to fasten the tank to the brackets.
3. Tighten mounting bolts and U-Bolts.





# THE ACCELERATOR

## General Dimensions SurePoint Accelerator Tanks

