

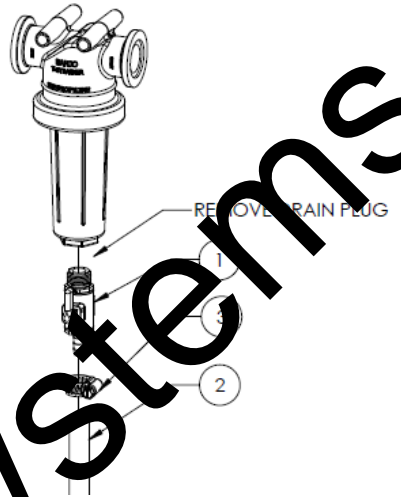


Parts List and Exploded View

520-00-5010 - Strainer Drainer Kit for 3/4" or 1" Strainers			
Item No.	Part Number	Description	Qty
1	102-038050LVHB	3/8" Hose Barb X 1/2" MPT Micro-Valve	1
2	280-038-AG200	3/8" AG200 Bulk	5 ft
3	350-0605	SS Hose Clamp - Size 6	1

Installation Instructions:

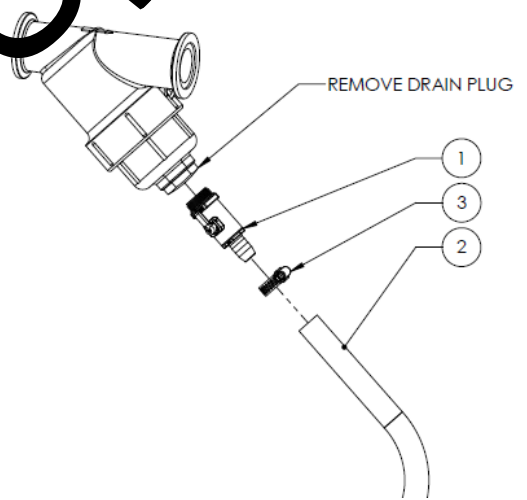
1. Remove drain plug from strainer.
2. Thread micro valve into the strainer port. Do not over tighten.
3. Attach hose to valve and tighten hose clamp.
4. Route 3/8" hose to a safe location to drain strainer bowl.



520-00-5020 - Strainer Drainer Kit for 2" or 2"FP Strainers			
Item No.	Part Number	Description	Qty
1	102-075100LVHB	3/4" Hose Barb X 1" MPT Micro-Valve	1
2	280-075-AG200	3/4" AG200 Bulk	5 ft
3	350-1208	SS Hose Clamp - Size 12	1

Installation Instructions:

1. Remove drain plug from strainer.
2. Thread micro valve into the strainer port. Do not over tighten.
3. Attach hose to valve and tighten hose clamp.
4. Route 3/4" hose to a safe location to drain strainer bowl.



520-00-5030 - Strainer Drainer Kit for 3" Strainers			
Item No.	Part Number	Description	Qty
1	102-075075LVHB	3/4" Hose Barb X 3/4" MPT Micro-Valve	1
2	280-075-AG200	3/4" AG200 Bulk	5 ft
3	350-1208	SS Hose Clamp - Size 12	1

Installation Instructions:

1. Remove drain plug from strainer.
2. Thread micro valve into the strainer port. Do not over tighten
3. Attach hose to valve and tighten hose clamp.
4. Route 3/4" hose to a safe location to drain strainer bowl.

