

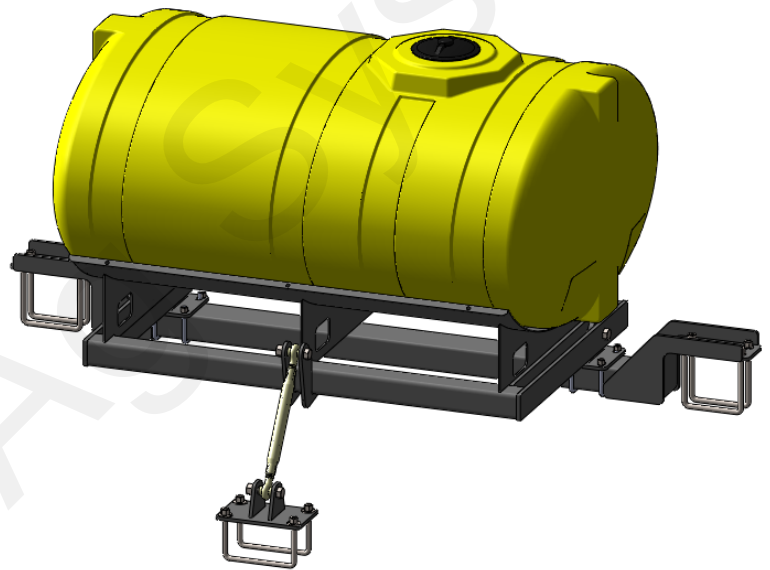


396-4657Y1

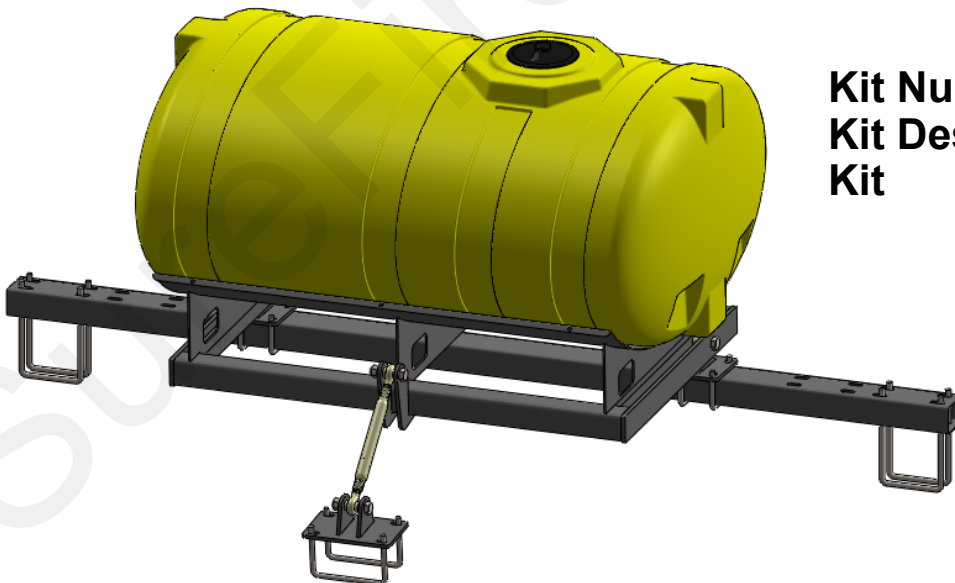
John Deere N500C Tank Kit Installation Manual - John Deere, N530-540C, 500 Gal Elliptical Tank

Air Seeder Manufacturer: **JOHN DEERE**

Kit Number: 551-03-200150
Kit Description: N530C Tank
Kit



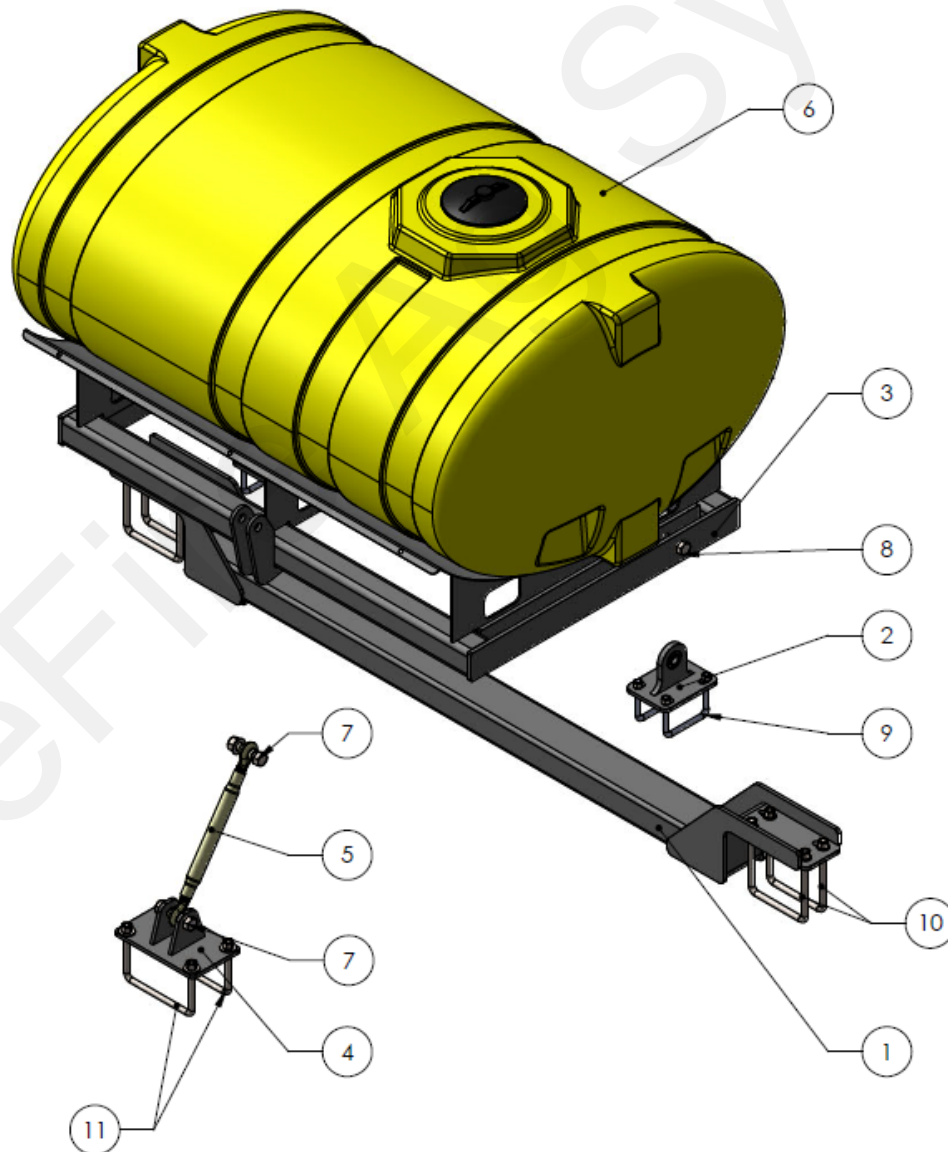
Kit Number: 551-03-200100
Kit Description: N540C Tank
Kit





Parts List and Exploded View N530C

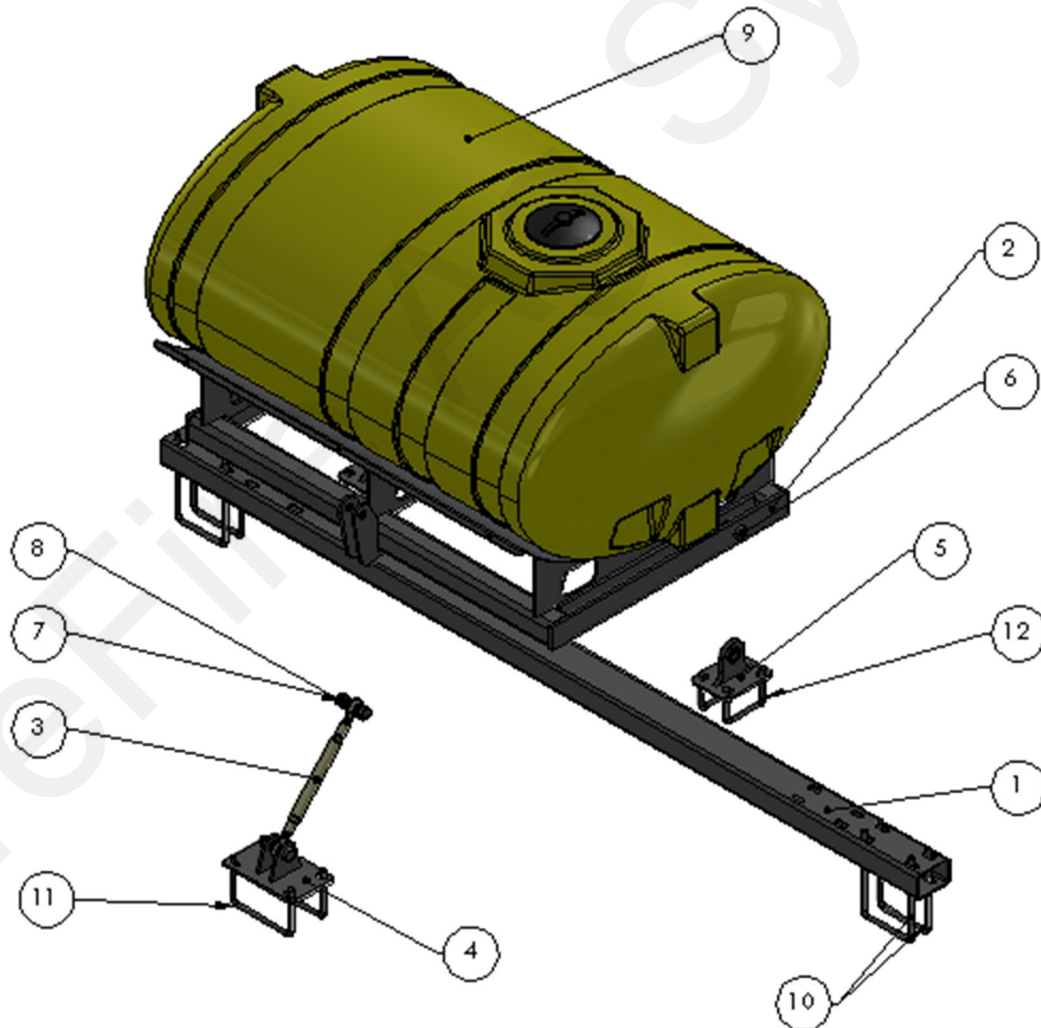
| ITEM NO. | PART NUMBER | DESCRIPTION | QTY. |
|----------|-----------------------|--|------|
| 1 | 455-4500Y1 | JD N530C - Saddle Support Beam | 1 |
| 2 | 455-4293Y1 | Cradle Ball Mount | 2 |
| 3 | 455-1300A1 | Front Mount 500 Gal Cradle for JD CCS | 1 |
| 4 | 455-4291Y1 | N500C Tank Saddle Pivoting Hitch Mount | 1 |
| 5 | 399-TL173 | Cat 2, 1" Bore Swivel Ball | 1 |
| 6 | 727-01-HE0500-57-OS-Y | 500 Gal Elliptical Tank - Yellow | 1 |
| 7 | 300-160400-5 | 1" x 4" HCS G5 | 2 |
| 8 | 300-160500-5 | 1" x 5" HCS G5 | 2 |
| 9 | 380-1046 | 5/8" U-Bolt Kit - Fits 6" x 5" Tube | 4 |
| 10 | 380-1077 | 3/4" U-Bolt Kit - Fits 8" x 8" Tube | 4 |
| 11 | 380-1075 | 3/4" U-Bolt Kit - Fits 10" x 6" Tube | 2 |





Parts List and Exploded View N540C

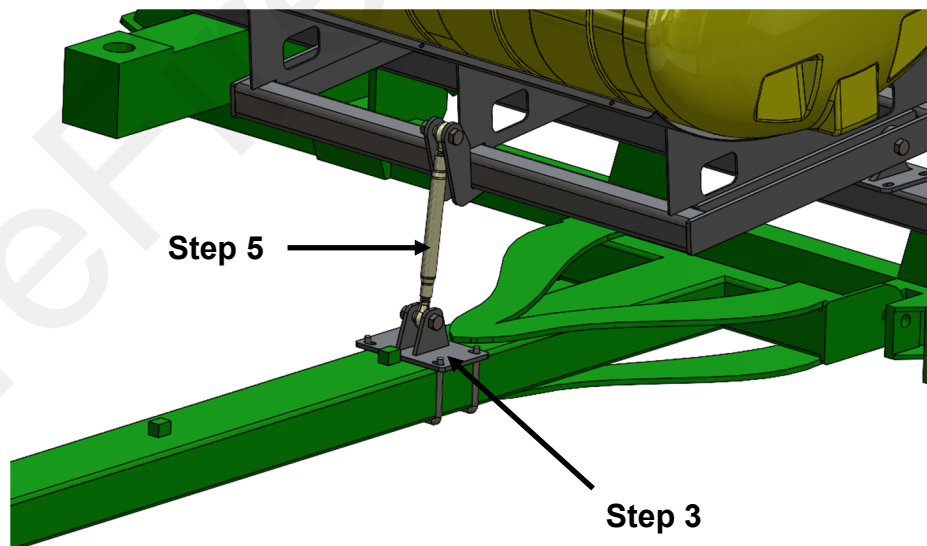
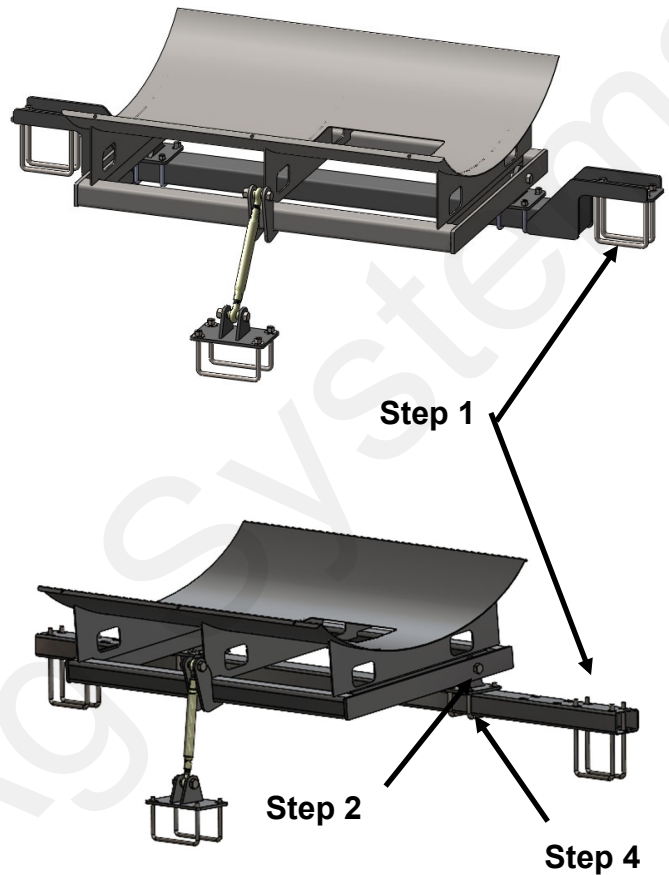
| ITEM NO. | PART NUMBER | DESCRIPTION | QTY. |
|----------|-----------------------|--|------|
| 1 | 455-4294Y1 | JD N540C Tank Saddle Mounting Base | 1 |
| 2 | 455-1300A1 | Front Mount 500 Gal Cradle for JD CCS | 1 |
| 3 | 399T-L173 | Cat 2, 1" Bore Swivel Ball | 1 |
| 4 | 455-4291Y1 | N500C Tank Saddle Pivoting Hitch Mount | 1 |
| 5 | 455-4293Y1 | Cradle Ball Mount | 2 |
| 6 | 300-160400-5 | 1" x 4" HCS G5 | 4 |
| 7 | 331-16 | 1" Lock Washer | 4 |
| 8 | 300-160500-5 | 1" x 5" HCS G5 | 4 |
| 9 | 727-01-HE0500-57-OS-Y | 500 Gal Elliptical Tank - Yellow | 1 |
| 10 | 380-1066 | 3/4" U-Bolt Kit - Fits 8" x 12" Tube | 4 |
| 11 | 380-1075 | 3/4" U-Bolt Kit - Fits 10" x 6" Tube | 2 |
| 12 | 380-1076 | 3/4" U-Bolt Kit - Fits 6" x 4" Tube | 4 |





Step by Step Instructions

1. Begin by using either 8" x 8" U-Bolt kit (N530C) or 8" x 12" U-Bolt Kit (N540C) to attach the rear mounting bar to the wheel supports on the air seeder
2. Use 1" bolts to attach rear ball joint mounts and top link to the tank cradle
3. Loosely bolt pivoting hitch mount to main hitch bar using 10" x 6" U-Bolts. Run OEM harness between pivot plates
4. Set the cradle on the rear mounting bar and use 6" x 4" U-Bolt kit to fasten the rear ball joint mounts to the rear bar and fasten the top link to the front mount on the hitch
5. Adjust top link to proper length and tighten all bolts. Make final adjustment to top link when the seeder is attached to the tractor. Level out the tank and cradle.

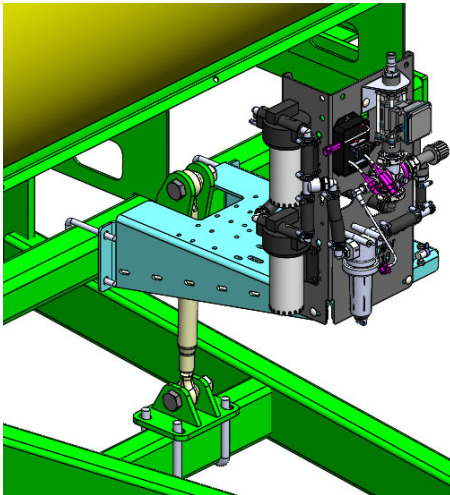




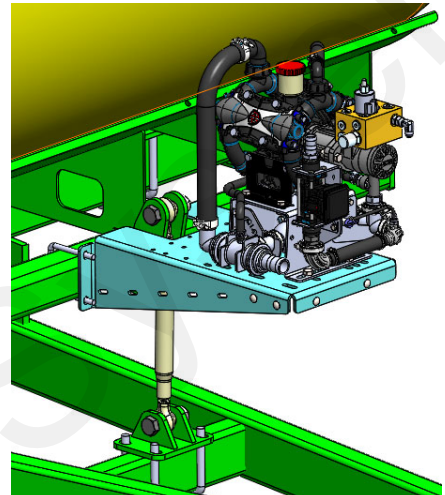
Optional/Related Items

Tower and PumpRight Mount Kit: 515-03-201050

Instruction Sheet for this Kit: 396-2647Y1



Tower pumps are fed with 3/4" hose from the valve in the plumbing kit below.

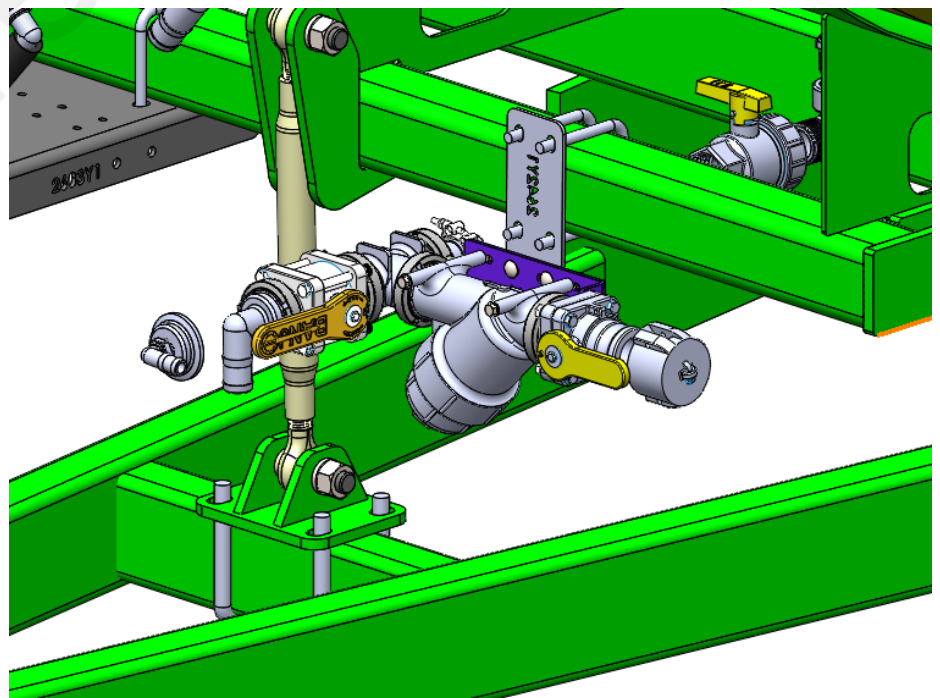


PumpRight pumps are fed with 1-1/2" hose from the valve in the plumbing kit below

Tank Fill and Discharge Kit

Kit Number: 555-101250

Instruction sheet for this kit: 396-2623Y1



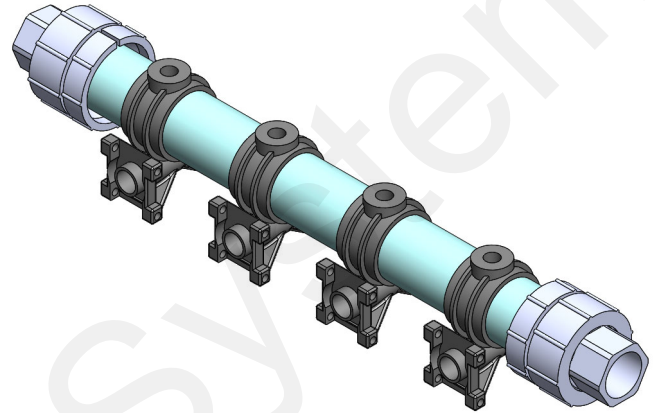


Optional/Related Items

Manifold Kits:

Instruction sheet for these kits: **396-2620Y1**

| | |
|----------------------|--------------------|
| 553-03-30000: | 30' 7.5" spacing |
| 553-03-30500: | 30' 10" spacing |
| 553-03-36000: | 36' 7.5" spacing |
| 553-03-36500: | 36' 10" spacing |
| 553-03-40000: | 40' 7.5" spacing |
| 553-03-40500: | 40' 10" spacing |
| 553-03-42000: | 42.5' 7.5" spacing |
| 553-03-42500: | 42.5' 10" spacing |



The Fin:

Instruction Sheet **396-2624Y1**

272-01-FIN60/90-L
272-01-FIN60/90-R

