

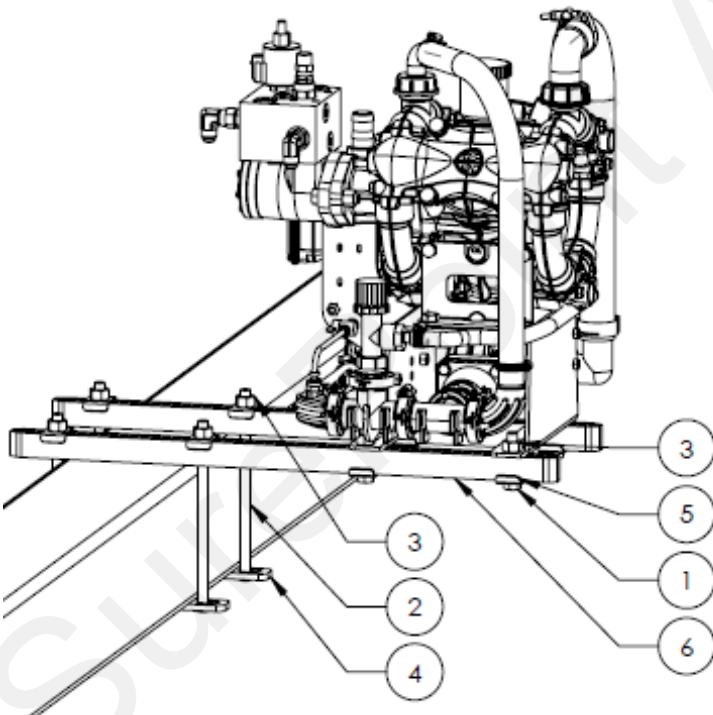
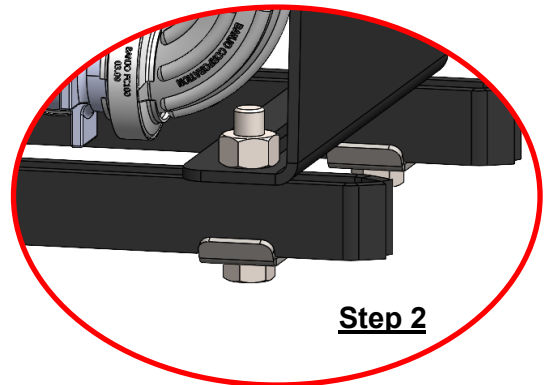
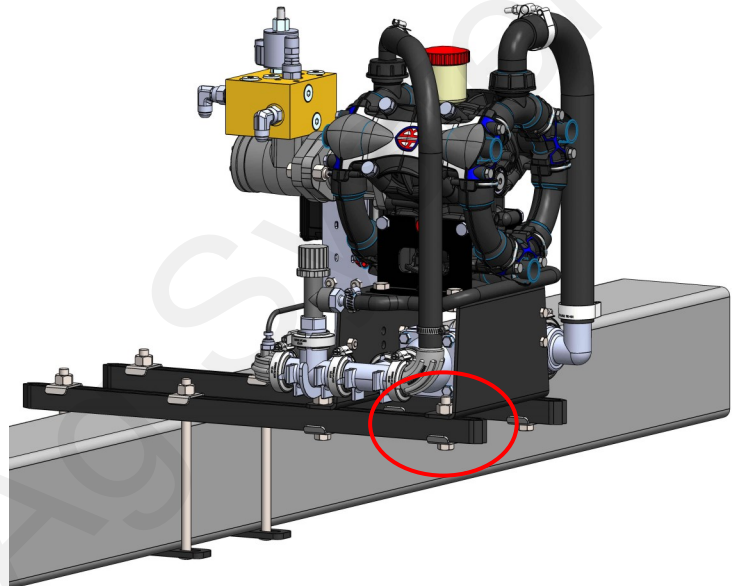


396-4584Y1

Rail Kit Pump Mounting Instructions

Kit Number: 515-03-2015 - Rail Kit For Diaphragm Pump

1. Mount the 28" rails to the toolbar using 1/2" x 9-1/2" carriage bolts, flange nuts, backer plate and U-Clamp. The carriage bolt head should be installed on the backer plate, and the flange nut on the U-Clamp. *Note: The kit is designed to fit up to an 8"x8" toolbar. U-Bolts can be substituted to fit larger bars.*
2. Use the four (4) 1/2" x 2-1/2" bolts, flange nuts and U-Clamps to mount the pump in the desired location and orientation.
3. Check for clearance from any equipment fold/pinch points, row unit travel or other obstructions and tighten all nuts.



ITEM NO.	PART NUMBER	DESCRIPTION	QTY.
1	300-080208-5	1/2" x 2-1/2" Hex Head Bolt - G5	4
2	304-080908-5	Carriage Bolt - 1/2" x 9-1/2" G5	4
3	323-08	1/2" Flange Nut	8
4	400-2043A1-BK	Universal 1/2" Bolt Backer Plate, 5/16" Thick, fits 4" - 8" tubes	2
5	722-00363-95-BK	U Clamp for Rails	8
6	722-00431-30-BK	28" Rails	2