

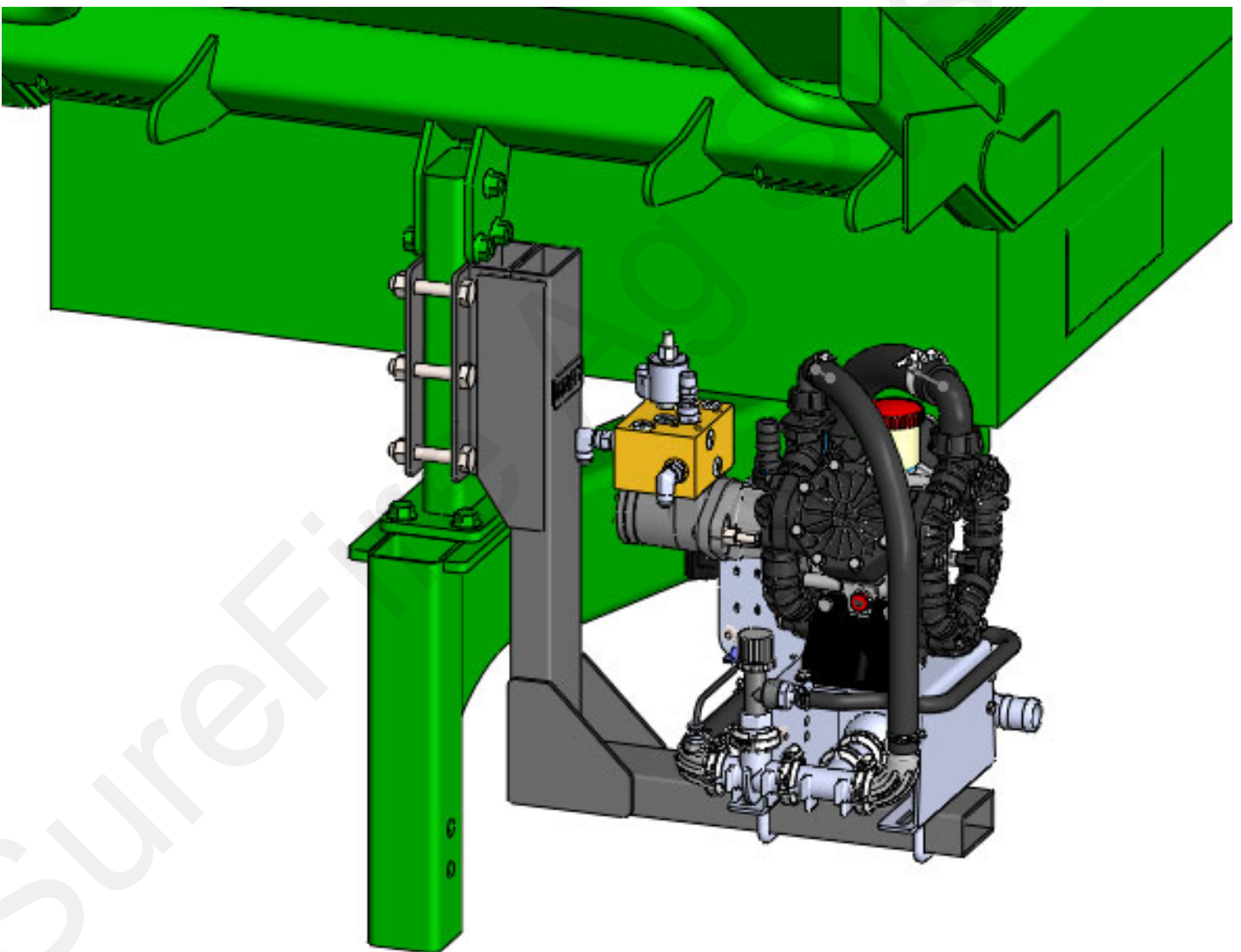


396-4439Y1

John Deere 1725C Planter PumpRight Pump Mount Bracket Installation Instructions

John Deere: 1725C Planter

Kit Number: 515-03-200600

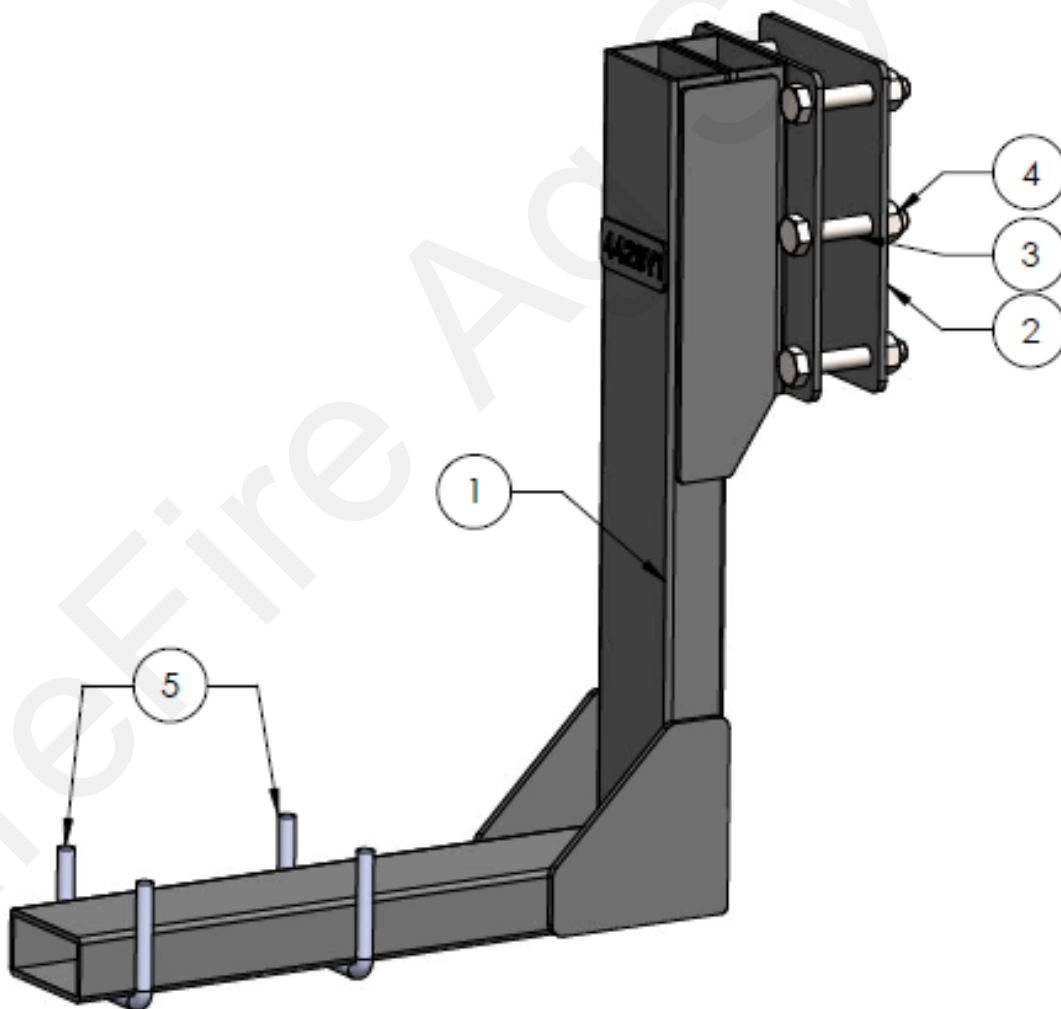




Parts List and Exploded View

Kit Number: 515-03-200600

ITEM NO.	PART NUMBER	DESCRIPTION	QTY.
1	410-4429Y1	JD 1725C - PumpRight Pump Bracket - Weldment	1
2	410-4424Y1	JD 1725C - 7"x6"x1/4" Backer Plate (Fits 4" wide vert toolbar)	1
3	300-100308-5	5/8" x 3-1/2" Hex Head Bolt - G5	4
4	323-10	5/8" Flange Nut	4
5	380-1037	1/2" U-bolt Kit - Fits 4" x 2" tube (4" opening) includes flange nuts	2

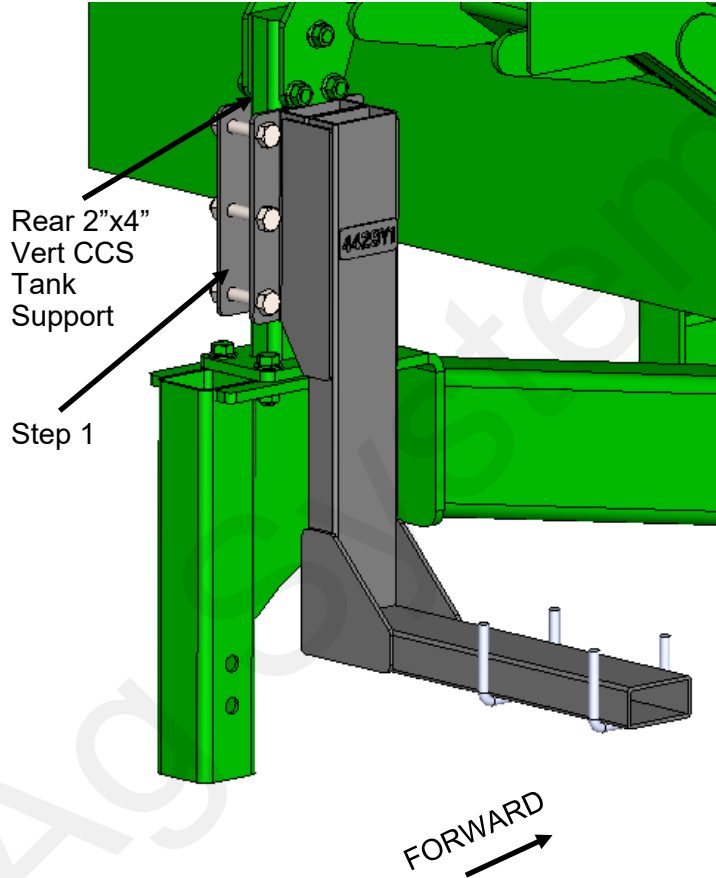


Step by Step Instructions

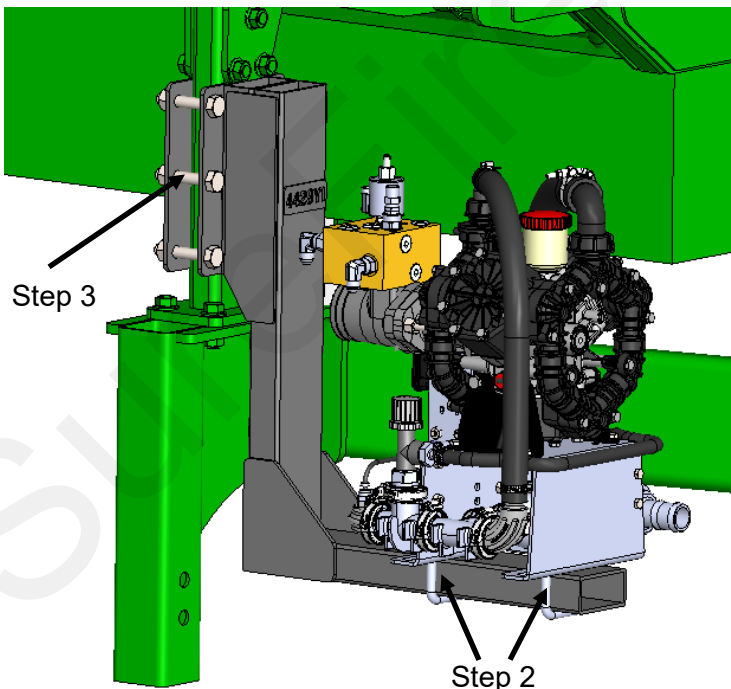
1. Mount 410-4429Y1 PumpRight Bracket to Rear CCS Vertical 2"x4" Support as shown in picture to the right using the supplied 410-4424Y1 Backer Plate and 5/8" hardware. Do not tighten to allow for adjustment in future steps.



PumpRight
Mount
Location



2. Mount PumpRight Pump on Horizontal bar of 410-4429Y1 Bracket using the supplied 1/2" U-bolts. Pump can be mounted 180 degrees from what picture on left shows per your preference on pump inlet and outlet locations.
3. Tighten 5/8" bolts once there is sufficient head clearance between bottom of CCS Tank and Top of Pump.





Step by Step Instructions

If planter requires two PR Pumps

Do not use the supplied 410-4424Y1 Backer Plates and bolt both 410-4429Y1 PumpRight Brackets together with the supplied 5/8" hardware to the rear CCS vert 2"x4" support as shown in picture below.

