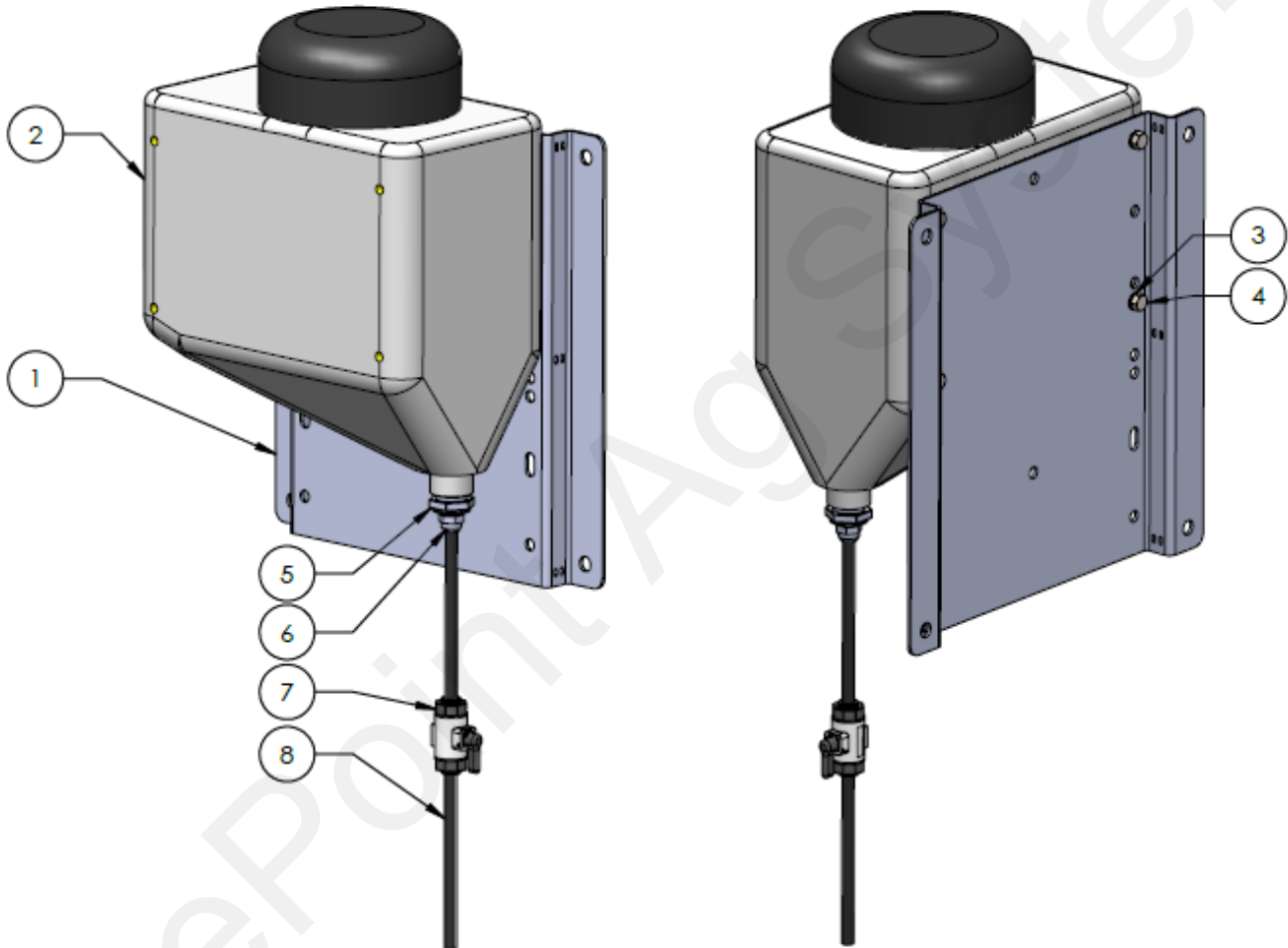




396-4274Y1

508-03-100150

3 Gal Rinse Tank Kit For 20 Gal Spartan Tank Kit (508-02-100100)



ITEM NO.	PART NUMBER	DESCRIPTION	QTY.
1	470-3211Y1	Mount Bracket for 3 Gal Rinse Tank and Ace Roto 10 Gal	1
2	727-05-SP0003-RT-BLACK	3 Gallon Square Tank, Black	1
3	331-05	5/16" Lock Washer	4
4	300-050008-5	5/16" x 1/2" Hex Head Bolt-G5	4
5	100-075038RB	3/4" MPT x 3/8" FPT Reducer Bushing	1
6	113-06-038038-P	QC to MPT - 3/8" QC x 3/8" MPT	1
7	113-50-038038-V	Viton - Valve - 3/8" QC x 3/8" QC	1
8	281-038	3/8" Poly Tube	2'

508-03-100150

3 Gal Rinse Tank Kit

Mounting Instructions

Step 1: Remove QTY 4, 5/16"x3/4" Bolts and all washers that fasten the 20 gallon tank to the tank frame. Install Rinse Tank Assembly to 20 gallon tank frame as shown while re-using the 5/16"x3/4" bolts. DO NOT reinstall the 7/16" flat washers.

Step 2: Remove 3/8" Quick Connect Plug (113-05-038) and insert the 3/8" poly tube into Quick Connect Fitting Rinse Port.

