

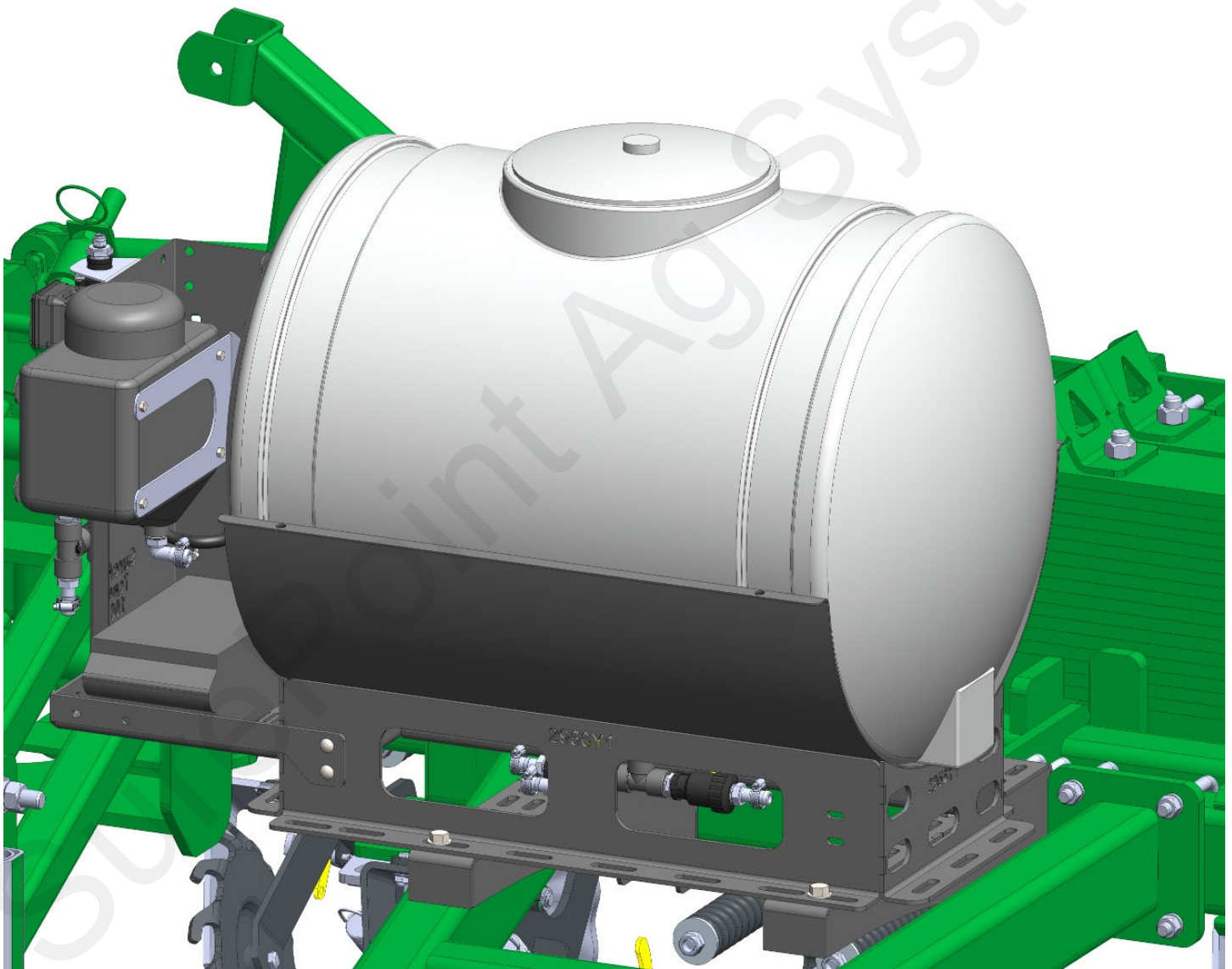


396-4200Y1

Universal Front/Rear of Bar Tank Mount Kit Installation Instructions

Kit Number: 530-00-100500

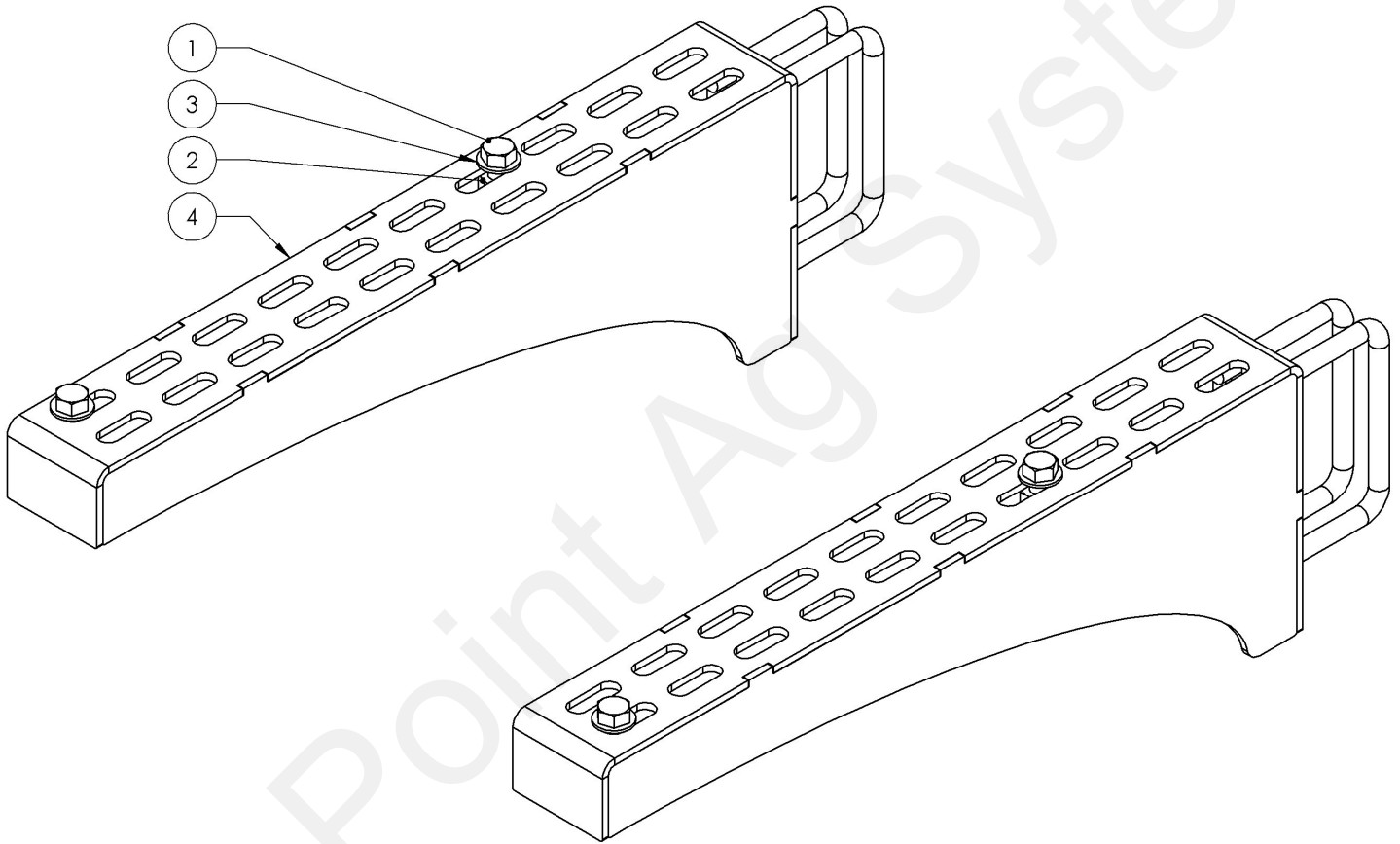
**Kit Description: Universal Front/Rear of Bar Tank Mount Kit
(Fits 4-7" Tall Toolbar)**





Parts List and Exploded View

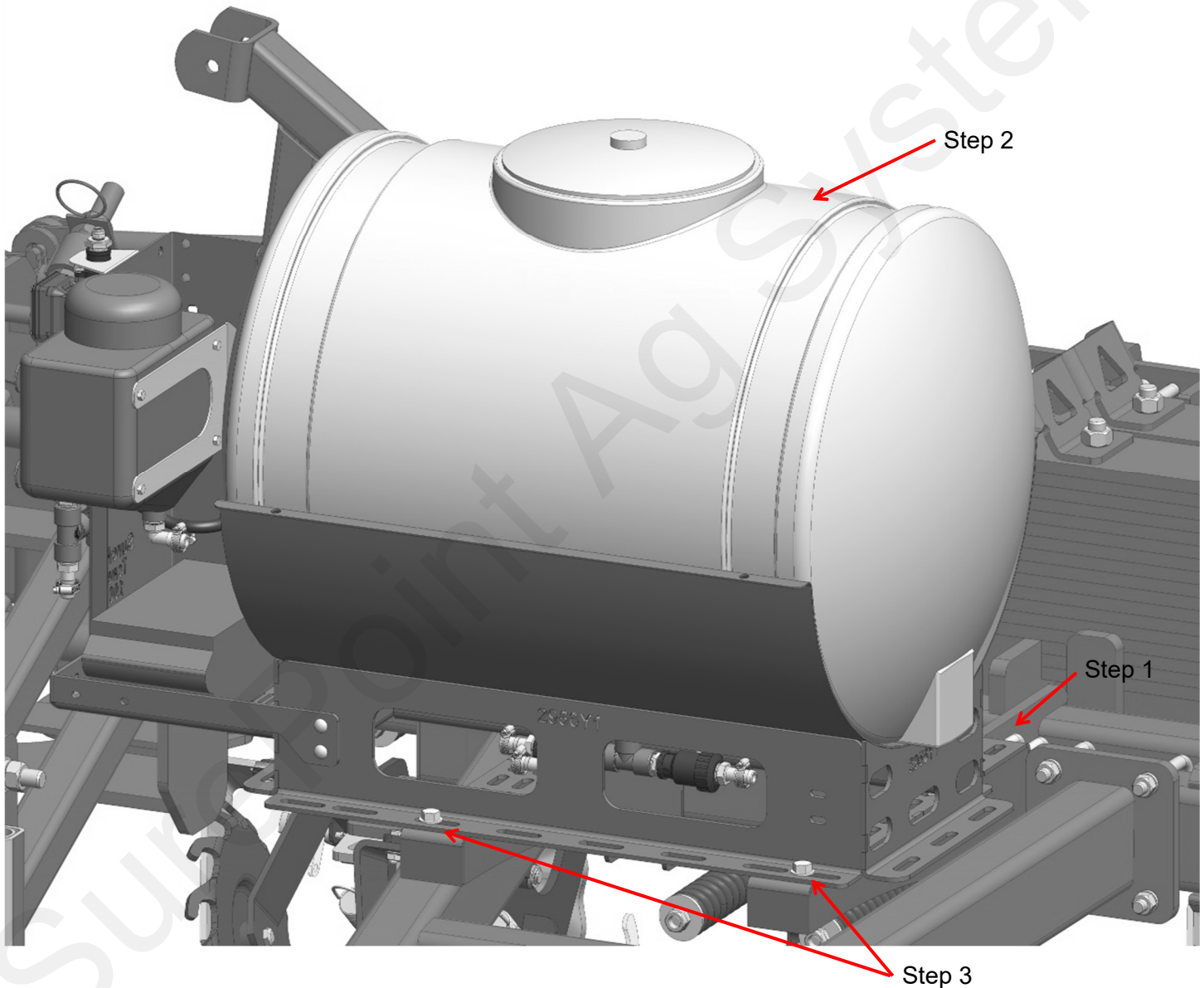
| ITEM NO. | PART NUMBER | DESCRIPTION | QTY. |
|----------|---------------|----------------------------------|------|
| 1 | 300-100108-5 | 5/8" x 1-1/2" Hex Head Bolt - G5 | 4 |
| 2 | 323-10 | 5/8" Flange Nut - G5 | 4 |
| 3 | 330-10 | 5/8" Flat Washer - G5 | 4 |
| 4 | 420-3171Y1-BK | Rear Frame Tank Mount | 2 |





Step by Step Instructions

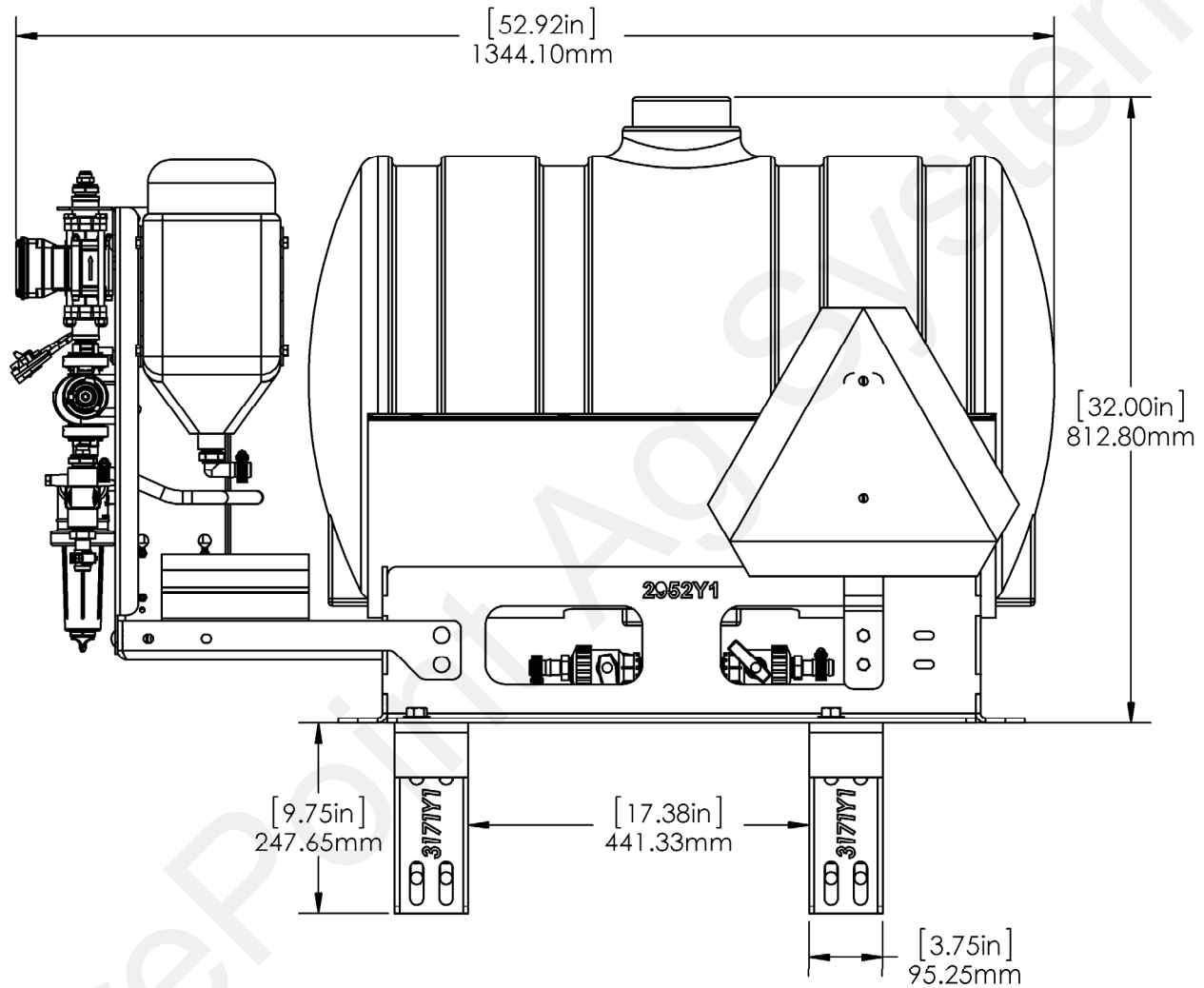
1. Using four (4) u-bolt kits provided, attach P/N 400-3171Y1 to front/rear frame as shown.
2. Position tank assembly on the tank brackets and check for clearance with wheels, row units, etc.
3. Fasten tank assembly to tank mounting brackets using four (4) 5/8" x 1-1/2" hex head bolts flat washers and flange nuts.





General Dimensions SurePoint Catalyst™ 55 System

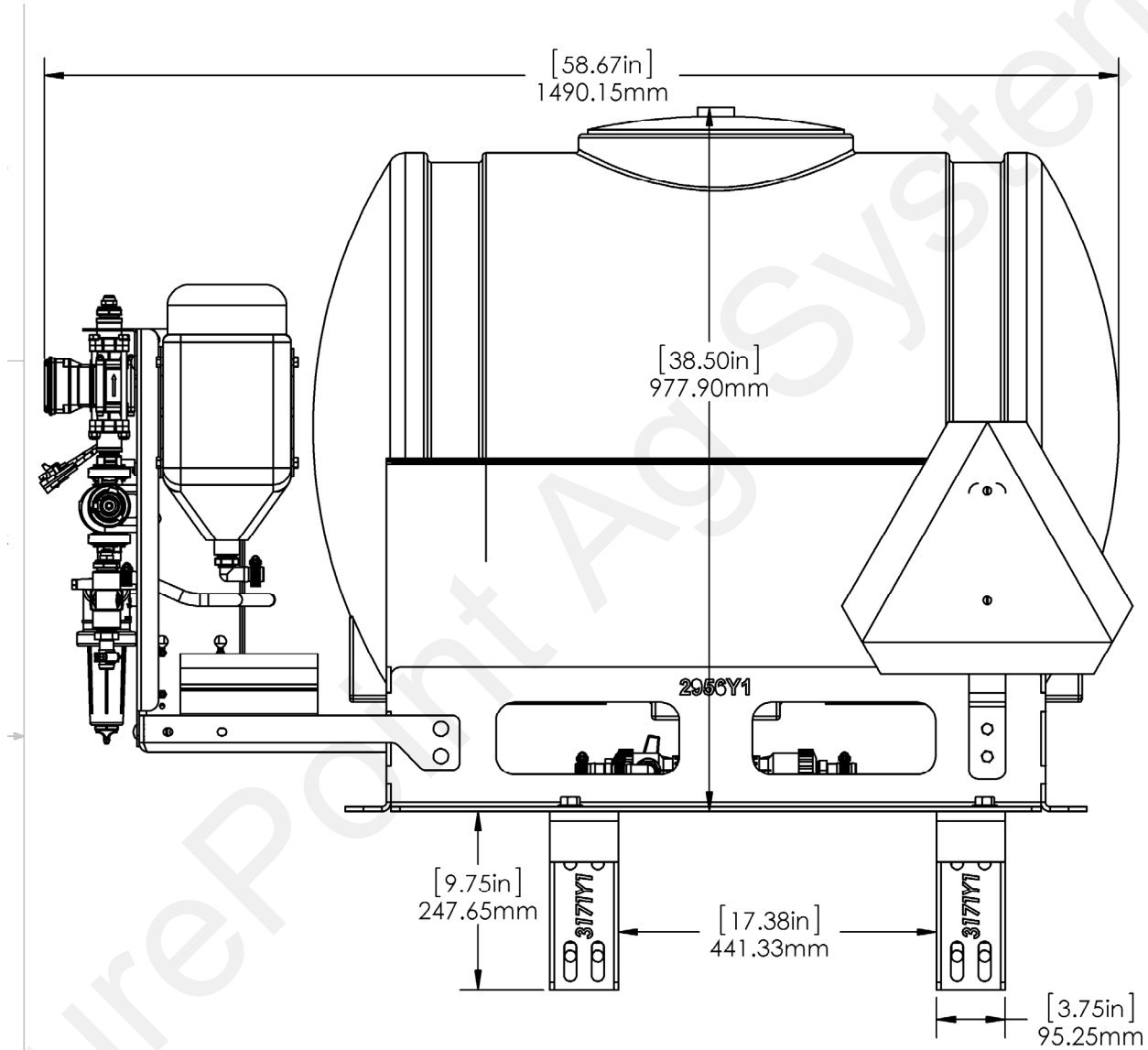
CATALYST
MICRO VOLUME APPLICATION SYSTEM





General Dimensions SurePoint Catalyst™ 110 System

CATALYST
MICRO VOLUME APPLICATION SYSTEM



General Dimensions SurePoint Accelerator Tanks

55 Gallon Tank

