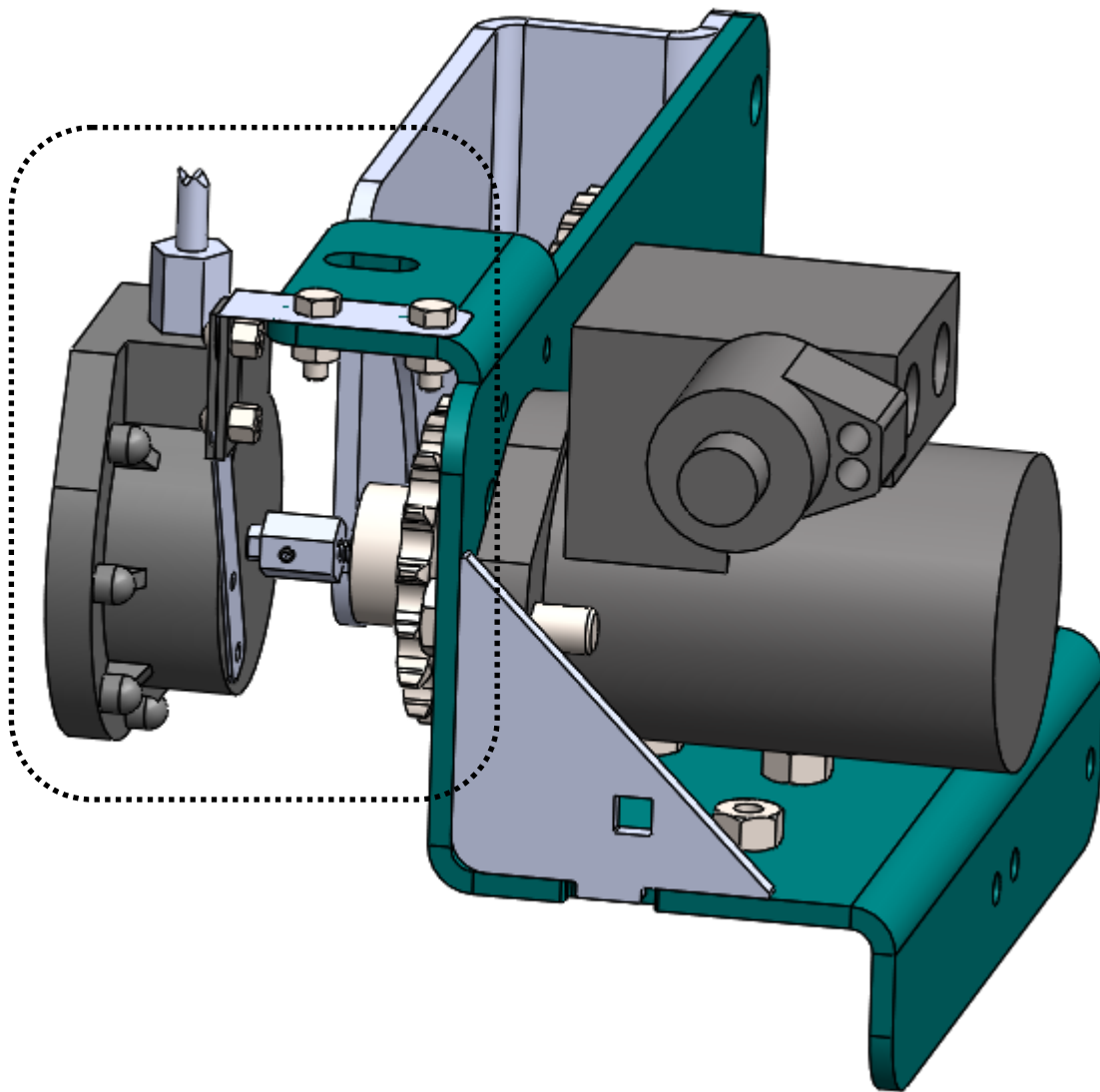




# 396-4110Y1

## Dickey John 360 Shaft Sensor Retro-Fit Kit for Planter Drive

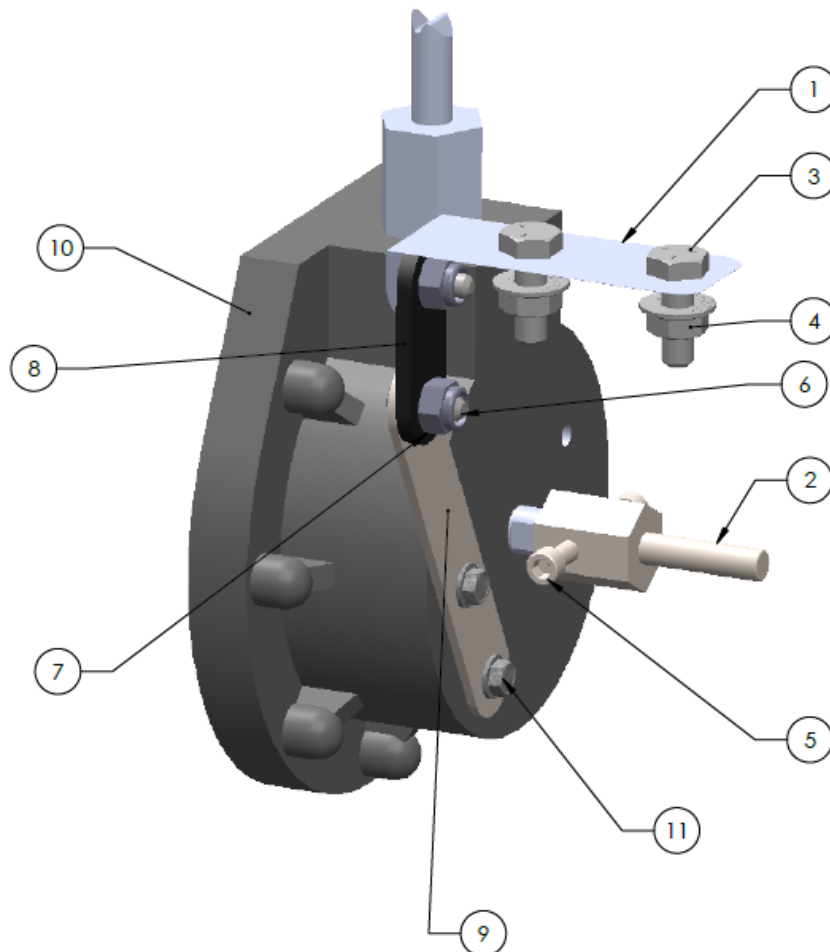
Kit Number: 204-04-200100





# Parts List and Exploded View 204-04-200100

ITEM NO.	PART NUMBER	DESCRIPTION	QTY.
1	405-2924Y1-BK	Mounting Bracket for Dickey John 360	1
2	229-03-467092221	Dickey John 360 pulse/rev encoder coupler - adapts from encoder to 1/4" male bolt thread	1
3	300-040012-5	1/4" x 3/4" Hex Head Bolt - G5	2
4	323-04	1/4" Flange Nut	2
5	305-S080008-SS	Socket Head Bolt, Size 8-32 x 1/2", SS	2
6	340-100008-24	Machine Screw - Size 10 x 1/2" - 24 Thread Count	2
7	321-1024	Size 10-24 Nylock	2
8	069-6588Y1	Plastic Tab, Dickey John Encoder	1
9	400-6397Y1	Mounting Bracket, Dickey John Encoder	1
10	204-04-464360178S1	Dickey John 360 pulses/rev shaft sensor w/ 1' of Cable and 3-pin WP Tower Flow Connector	1
11	341-080008	Self Drilling Screw - Size 8 x 1/2" (16 Thread)	2





# Step by Step Instructions

Step 1: Install the included mount bracket (405-2924Y1) using the 1/4"x3/4" Bolts and Flange Nuts. Do not tighten bolts.

Step 2: Screw the coupler (229-03-467092221) into the hydraulic motor shaft, tighten. Then place the Dickey John Sensor shaft into other end of the coupler and tighten set screws.

Step 3: Screw Flat Mounting Bracket (400-6397Y1) to Encoder using Self Drilling Screws (341-080008). Connect the Sensor to the Mount Bracket (405-2924Y1) with the plastic tab (069-6588Y1).

Step 4: Tighten all bolts.

