

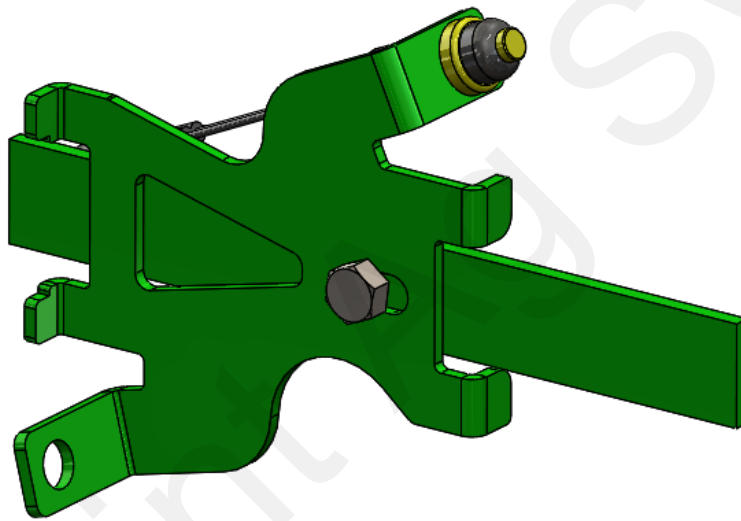


# 396-4064Y1

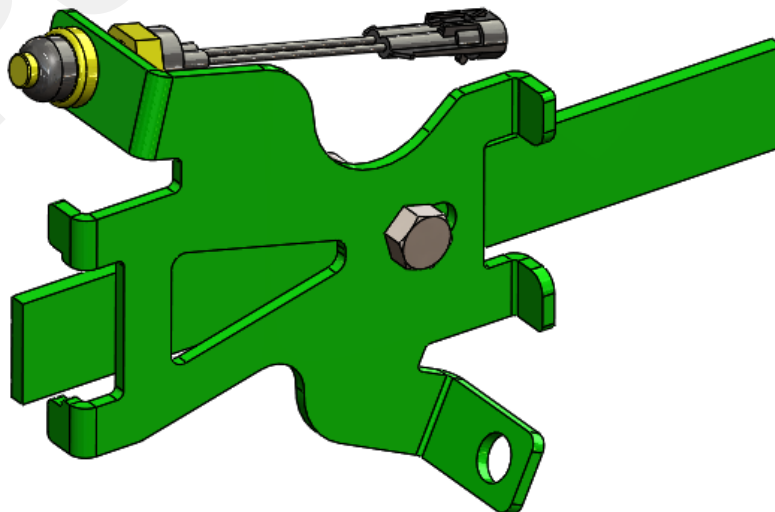
## John Deere Planters Universal Push Button Switch Bracket Instructions for Short or Long Parallel Linkage Bars

Kit: 501-100515

### Short Parallel Linkage Bar Configuration



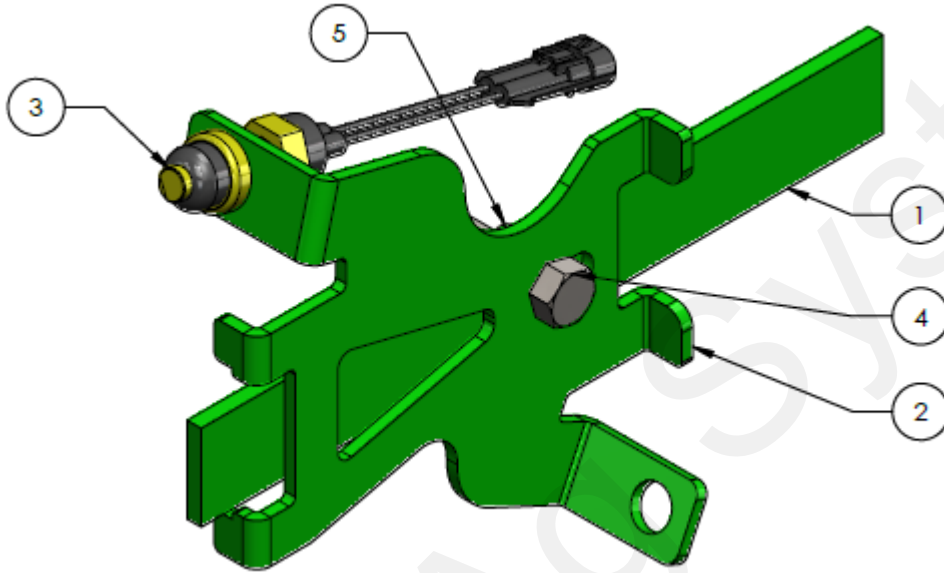
### Long Parallel Linkage Bar Configuration





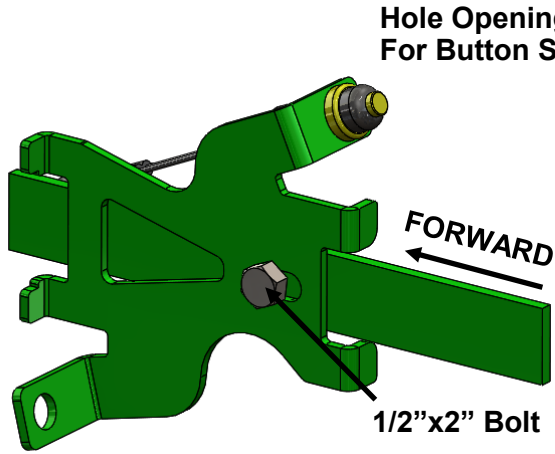
# Kit: 501-100515

## Parts List

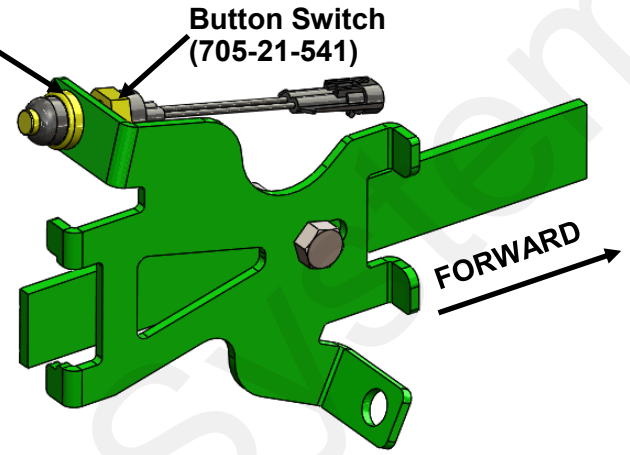


ITEM NO.	PART NUMBER	DESCRIPTION	QTY.
1	Linkage Bar	Illustration Purpose Only	1
2	400-4011Y1	On/Off Button Bracket for Short/Long Parallel Arm Linkage	1
3	705-21-541	Momentary Switch - Normally On (Push to Off)	1
4	300-080200-5	1/2" x 2" Hex Head Bolt-G5	1
5	323-08	1/2" Flange Nut	1

# Step by Step Instructions for Installing Switch Button Brackets

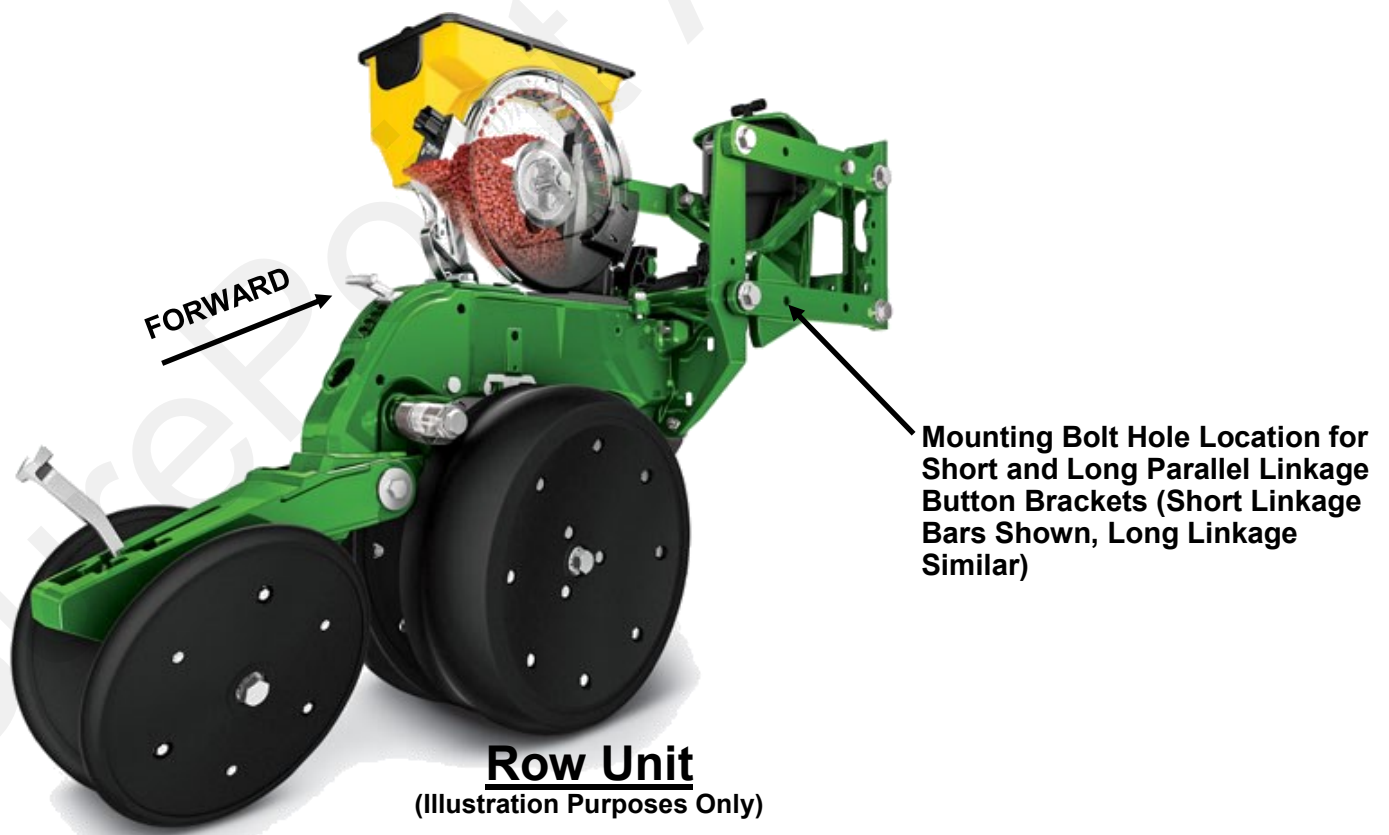


**Short Linkage Bracket Configuration**



**Long Linkage Bracket Configuration**

1. Use Bracket 400-4011Y1 for Short or Long Parallel Linkage Bar Planter Setups.
2. Insert Button into Hole Opening of Bracket as shown in pictures above.
3. Mount Bracket using 1/2"x2" Bolt and Flange Nut to Mounting Hole Location shown in picture below.



# Installation Pictures

## Short Linkage Bracket Configuration



## Long Linkage Bracket Configuration

