



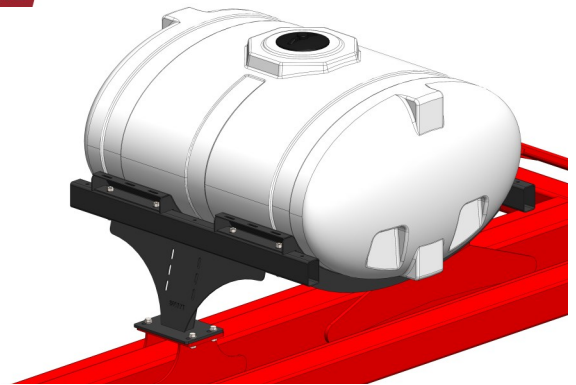
# 396-3848Y1

## Case 2150 400/500 Gallon Tank Mounting Instructions

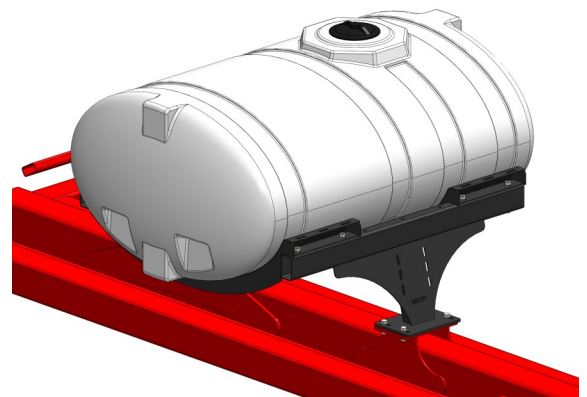
Planter Manufacturer:



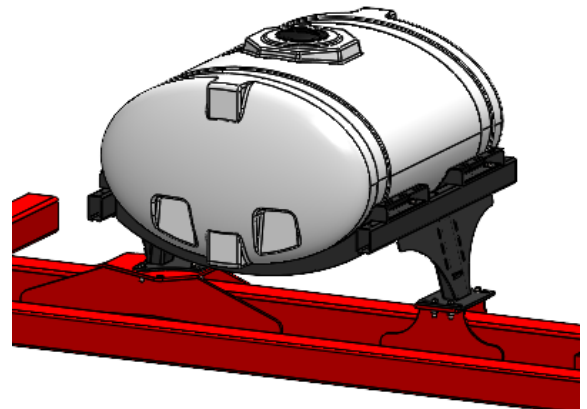
**Kit Number:** 530-02-400400  
**Description:** Case IH 2150 - 400 Gallon  
Elliptical Tank Kit  
(12R / 16R / 24R Bulk Fill)



**Kit Number:** 530-02-400500  
**Description:** Case IH 2150 - 500 Gallon  
Elliptical Tank Kit  
(12R / 16R / 24R Bulk Fill)



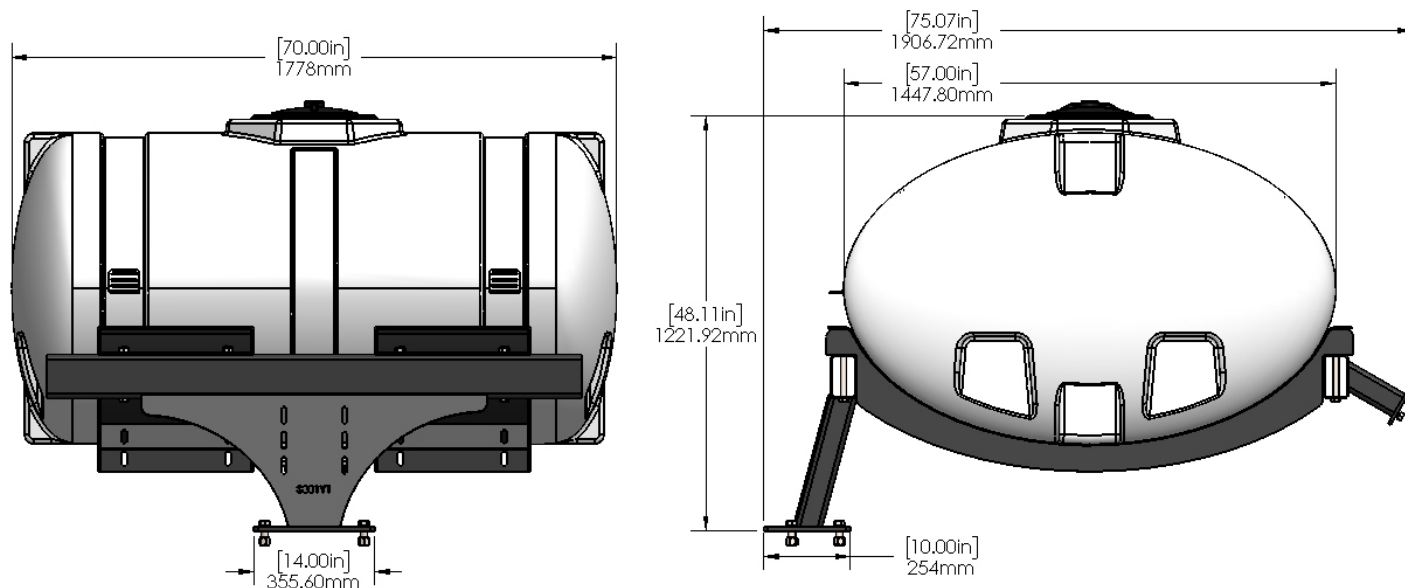
**Kit Number:** 530-02-425400  
**Description:** Case IH 2150 - 400 Gallon  
Elliptical Tank Kit  
(16R Box Planter)





# Installation Dimensions/Parts List

## 530-02-400400 400 Gallon Elliptical Tank Kit (12R / 16R / 24R Bulk Fill)

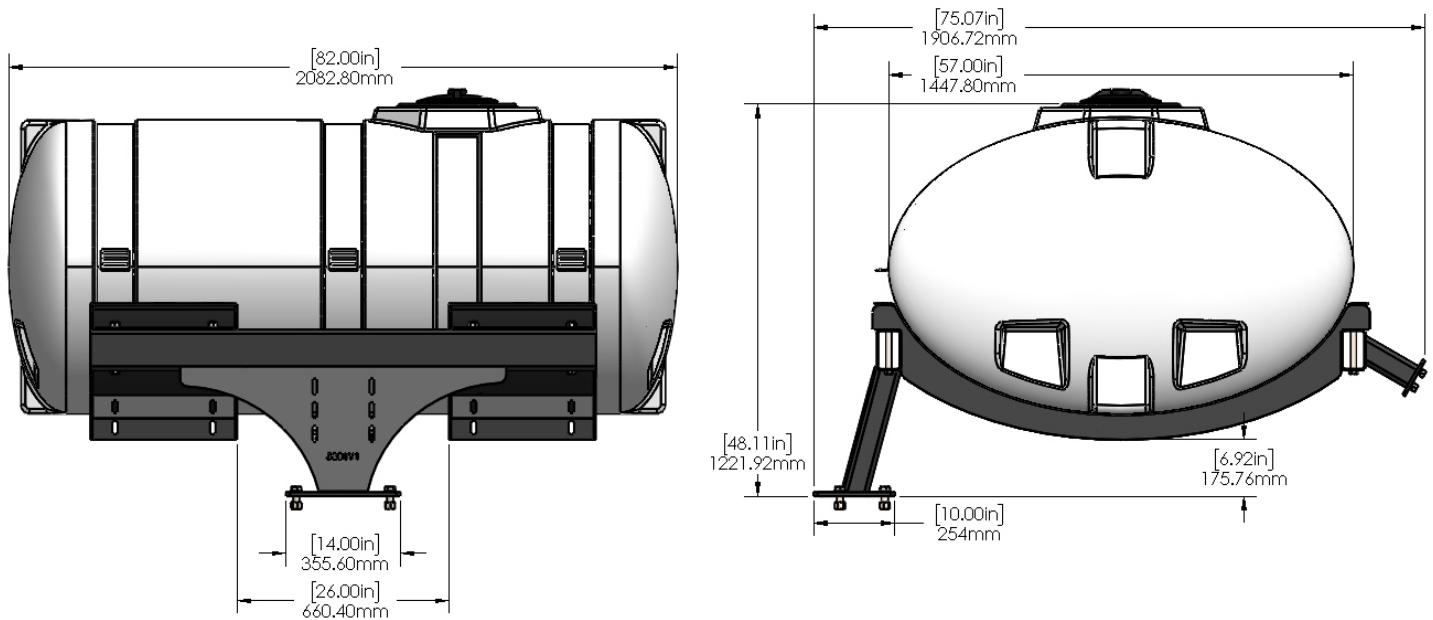


ITEM NO.	PART NUMBER	DESCRIPTION	QTY.
1	300-050100-5	5/16" x 1" Hex Head Bolt - G5	4
2	300-080108-5	1/2" x 1-1/2" Hex Head Bolt - G5	4
3	300-100600-5	5/8" x 6" Hex Head Bolt - G5	8
4	300-120300-5	3/4" x 3" Hex Head Bolt - G5	4
5	321-12	3/4" Nylock Nut	4
6	323-05	5/16" Flange Nut	4
7	323-08	1/2" Flange Nut	4
8	323-10	5/8" Flange Nut	8
9	330-05	5/16" Flat Washer	4
10	330-08	1/2" Flat Washer	4
11	330-12	3/4" Flat Washer	4
12	396-3848Y1	Case 2150 Tank Mounting Instructions	1
13	420-3797Y1-BK	Case 2150 CCS Support - Tank Mount	1
14	420-3801Y1-BK	Case 2150 Front Tank Mount Pedestal	1
15	420-3806Y1-BK	Case 2150 Saddle - Rolled Tank Saddle	2
16	421-4940Y1-BK	Case 2150 Air Compressor Mount Bracket	1
17	525-3000	3" Tank Strap Kit for 400-1000 Gallon	2
18	727-01-HE0400-57-W	Elliptical Tank - 400 Gal - White	1



# Installation Dimensions/Parts List

## 530-02-400500 500 Gallon Elliptical Tank Kit (12R / 16R / 24R Bulk Fill)

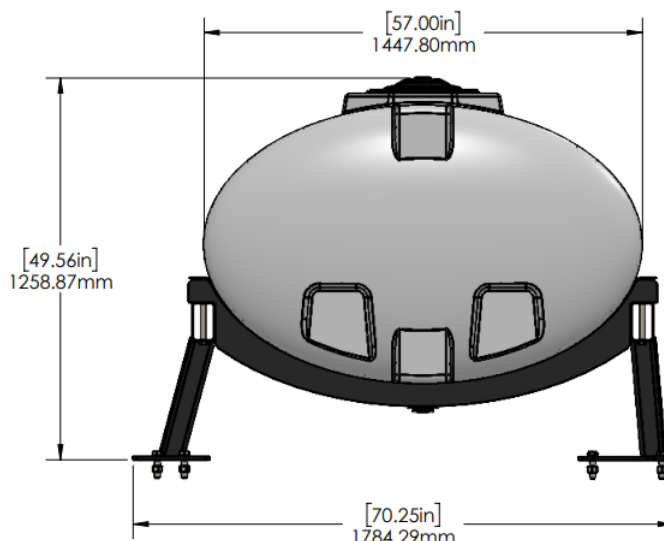
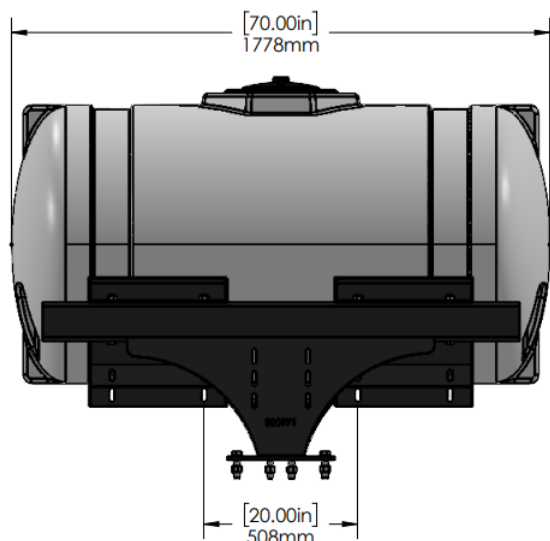


ITEM NO.	PART NUMBER	DESCRIPTION	QTY.
1	300-050100-5	5/16" x 1" Hex Head Bolt - G5	4
2	300-080108-5	1/2" x 1-1/2" Hex Head Bolt - G5	4
3	300-100600-5	5/8" x 6" Hex Head Bolt - G5	8
4	300-120300-5	3/4" x 3" Hex Head Bolt - G5	4
5	321-12	3/4" Nylock Nut	4
6	323-05	5/16" Flange Nut	4
7	323-08	1/2" Flange Nut	4
8	323-10	5/8" Flange Nut	8
9	330-05	5/16" Flat Washer	4
10	330-08	1/2" Flat Washer	4
11	330-12	3/4" Flat Washer	4
12	396-3848Y1	Case 2150 Tank Mounting Instructions	1
13	420-3797Y1-BK	Case 2150 CCS Support - Tank Mount	1
14	420-3801Y1-BK	Case 2150 Front Tank Mount Pedestal	1
15	420-3806Y1-BK	Case 2150 Saddle - Rolled Tank Saddle	2
16	421-4940Y1-BK	Case 2150 Air Compressor Mount Bracket	1
17	525-3000	3" Tank Strap Kit for 400-1000 Gallon	2
18	727-01-HE0400-57-W	Elliptical Tank - 400 Gal - White	1



# Installation Dimensions/Parts List

## 530-02-425400 500 Gallon Elliptical Tank Kit (16R Box Planter)



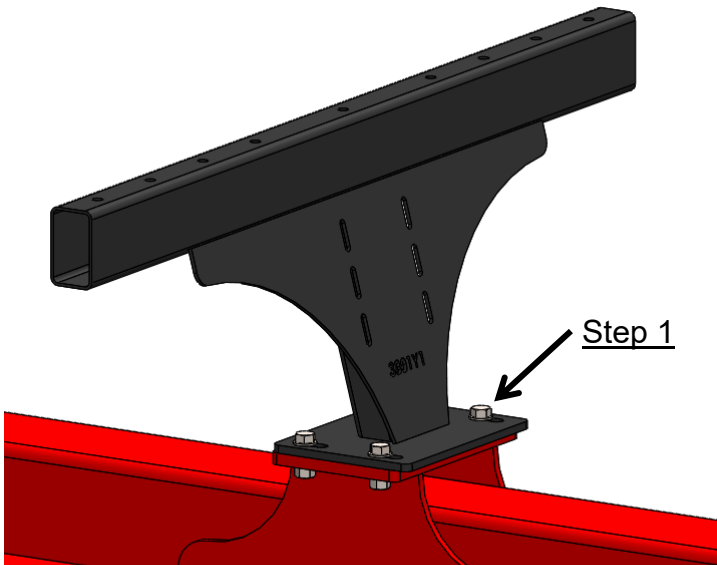
ITEM NO.	PART NUMBER	DESCRIPTION	QTY.
1	300-050100-5	5/16" x 1" Hex Head Bolt	4
2	300-100600-5	5/8" x 6" Hex Head Bolt	8
3	300-120300-5	3/4" x 3" Hex Head Bolt	8
4	321-12	3/4" Nylock Nut	8
5	323-05	5/16" Flange Nut	4
6	323-10	5/8" Flange Nut	8
7	330-05	5/16" Flat Washer	4
8	330-12	3/4" Flat Washer	8
9	396-3848Y1	Case 2150 Tank Mounting Instructions	1
10	420-3801Y1-BK	Case 2150 Front Tank Mount Pedestal	1
11	420-3806Y1-BK	Case 2150 Saddle - 400/500 Gallon	2
12	420-5433Y1-BK	Case 2150 16R Box Planter Rear Support	1
13	421-4940Y1-BK	Case 2150 Air Compressor Mount Bracket	1
14	525-3000	3" Tank Strap Kit for 400 - 500 Gallon Tanks	2
15	727-01-HE0400-57-W	Elliptical Tank - 400 Gal - White	1



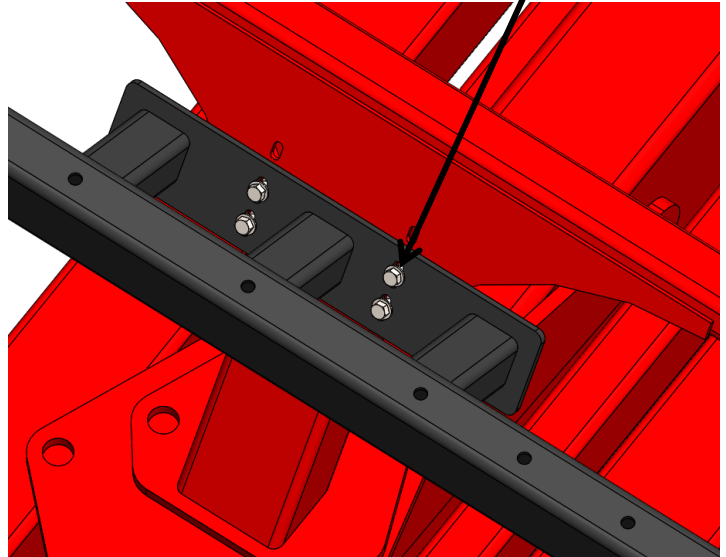
# Step by Step Instructions - 400/500 Gallon Bulk Fill Planters

Installation instructions for 12, 16 or 24 Row Bulk Fill planters are the same.

1. Loosely mount the 420-3801Y1—Front Tank Mount Pedestal to the bolt plate on the hitch using four (4) 3/4" x 3" hex head bolts, washers, and nylock nuts.



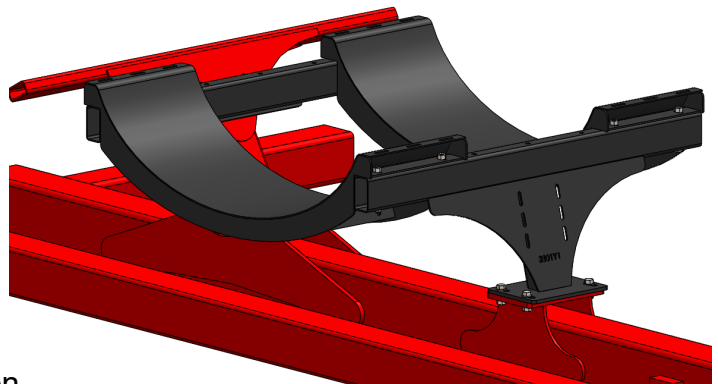
Step 2



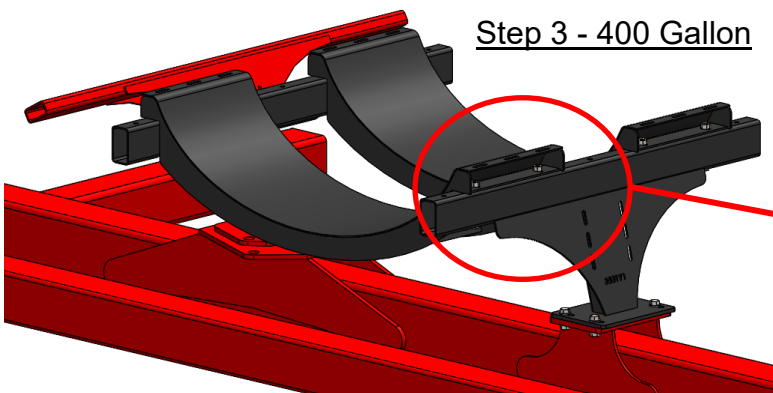
2. Loosely mount the 420-3797Y1 rear bulk fill support tank mount to the bolt plate on the rear CCS support using four (4) 1/2" x 1-1/2" hex head bolts, washers and flange nuts.

3. Position two (2) 420-3806Y1—Tank Saddles between the two 3x5 support bars. Use the outer bolt holes for a 500 gallon tank or the inner holes for a 400 gallon tank.
4. Attach saddles to tank using four (4) 5/8" x 6" bolts and flange nuts for each saddle, or a total of eight (8). Tighten these bolts before tightening the mounting bracket bolts (see next page).

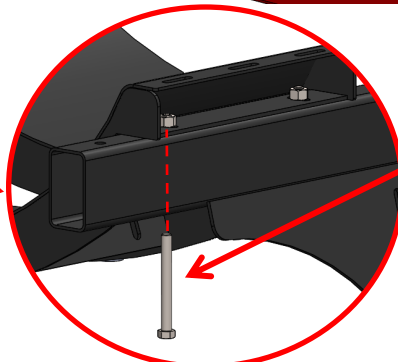
Step 3 - 500 Gallon



Step 3 - 400 Gallon

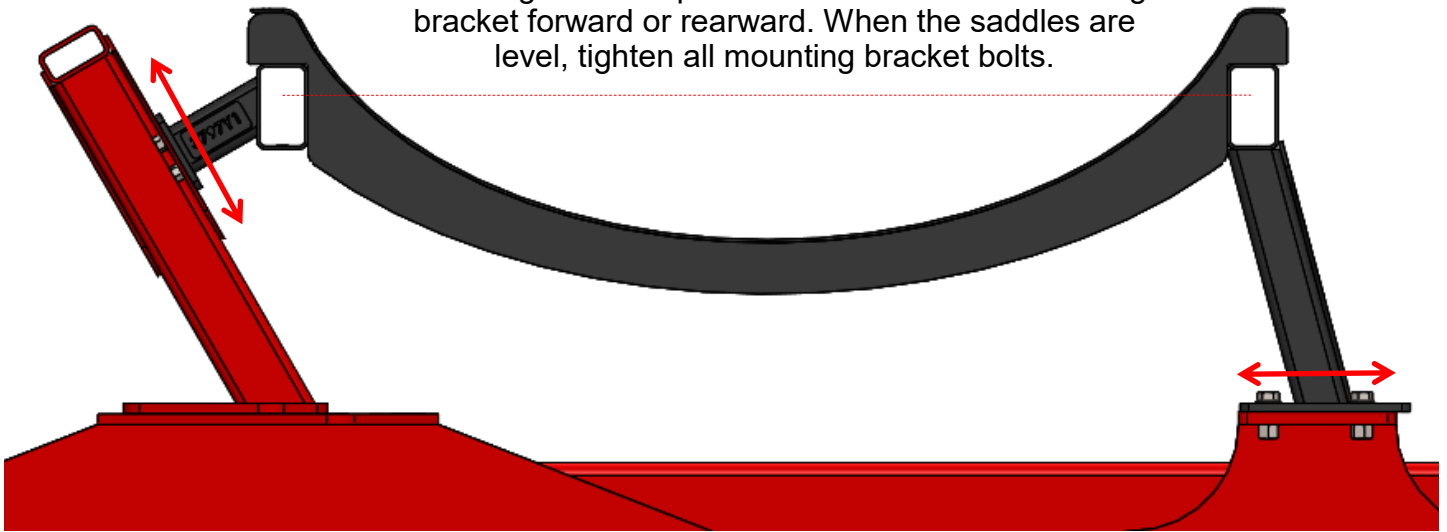


Step 4



## Step by Step Instructions

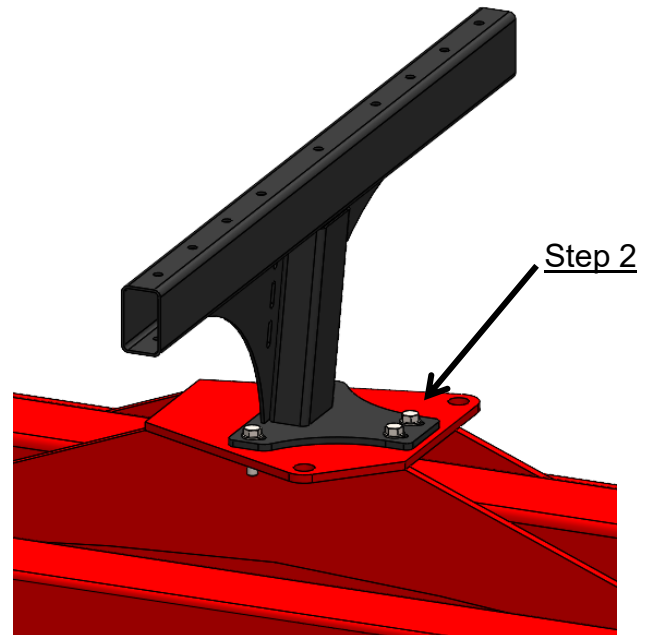
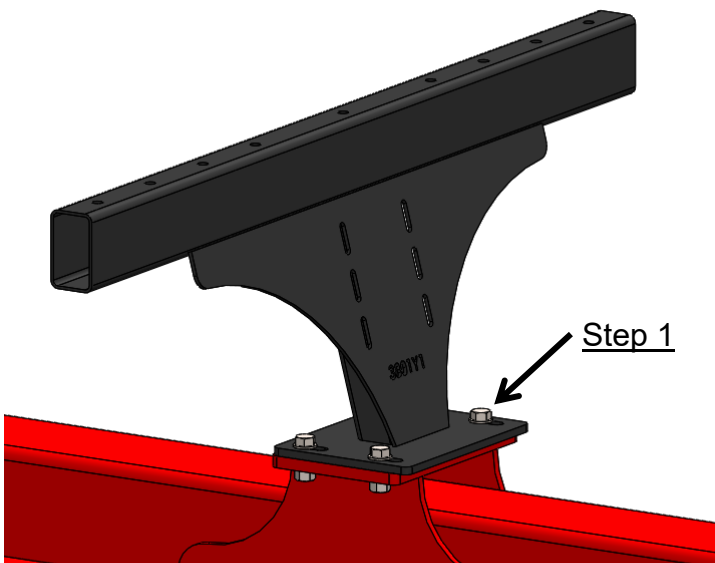
5. Make sure the 3x5 bar in the front and back are level with the planter. This can be done by moving the rear mounting bracket up or down and the front mounting bracket forward or rearward. When the saddles are level, tighten all mounting bracket bolts.



6. Finally, install the tank in the saddles and fasten the tank strap mounting brackets, and tank straps. Check for clearance when folding markers (if applicable) and when the planter is lowered. Note: Tighten straps again once the tank has been filled.

### Tank Mounting Instructions for Box Planter - 400 Gal Tank

1. Loosely mount the 420-3801Y1—Front Tank Mount Pedestal to the bolt plate on the hitch using four (4) 3/4" x 3" hex head bolts, washers, and nylock nuts.

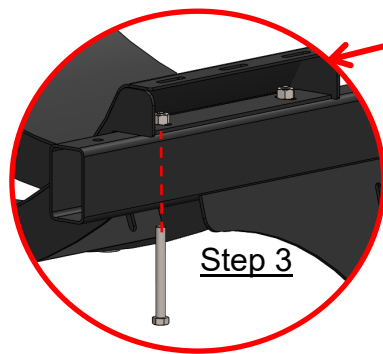
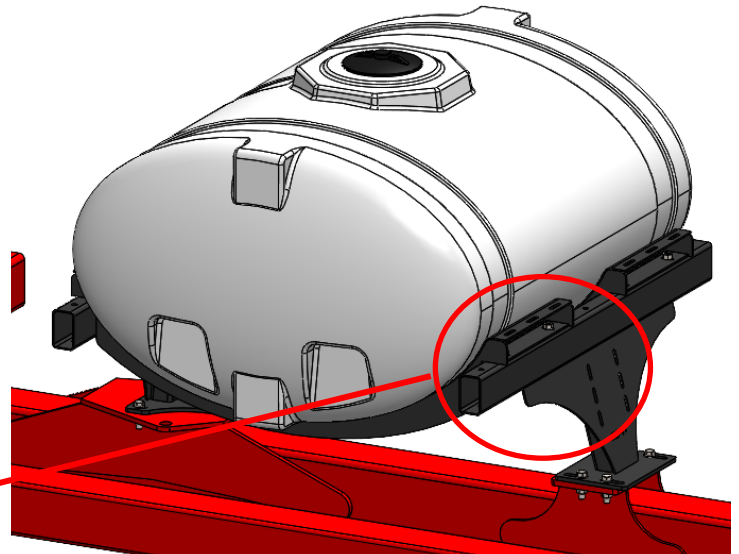


2. Loosely mount the 420-5433Y1 to the bolt plate on the rear bulk fill support using four (4) 3/4" x 3" hex head bolts, washers, and nylock nuts.

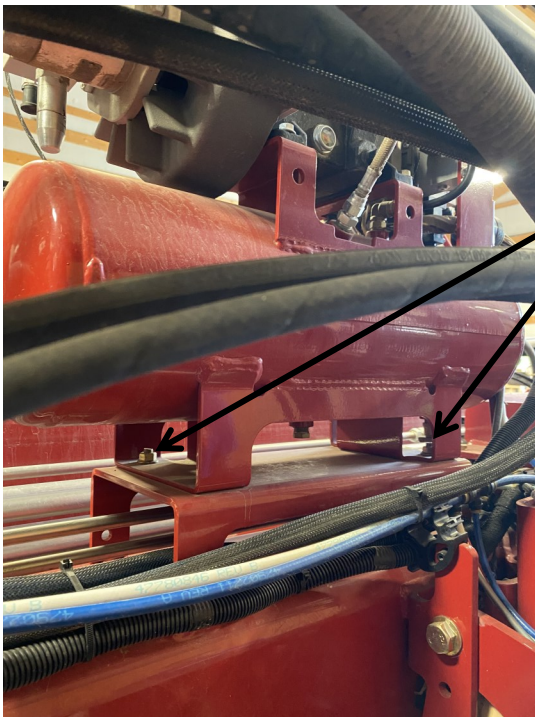


## Step by Step Instructions (cont.)

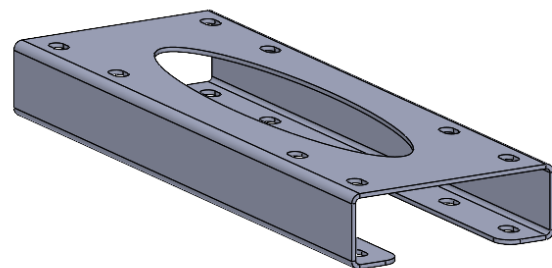
3. Attach saddles to tank using four (4) 5/8" x 6" bolts and flange nuts for each saddle, or a total of eight (8). Tighten these bolts before tightening the mounting bracket bolts.
4. Finally, install the tank in the saddles and fasten tank strap mounting brackets and tank straps. Check for clearance when folding markers (if applicable) and when the planter is lowered.



## Case 2150 Air Compressor Mount Bracket Instructions



Step 1



1. Remove bolts from air compressor.
2. Remount air compressor on 421-4940Y1 bracket, using the same hardware.
3. Move air compressor and bracket forward on the planter as desired and mount back on hitch using hardware provided in tank kit.

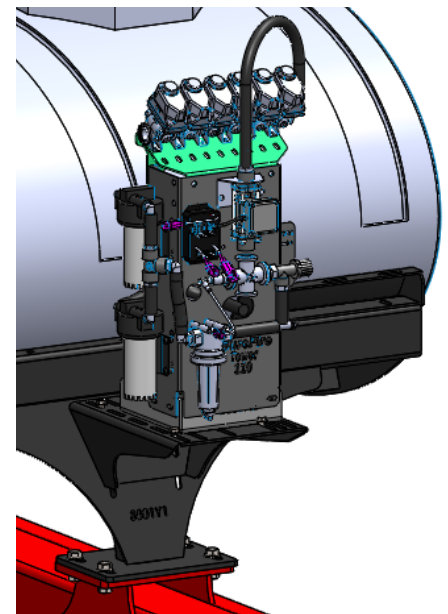
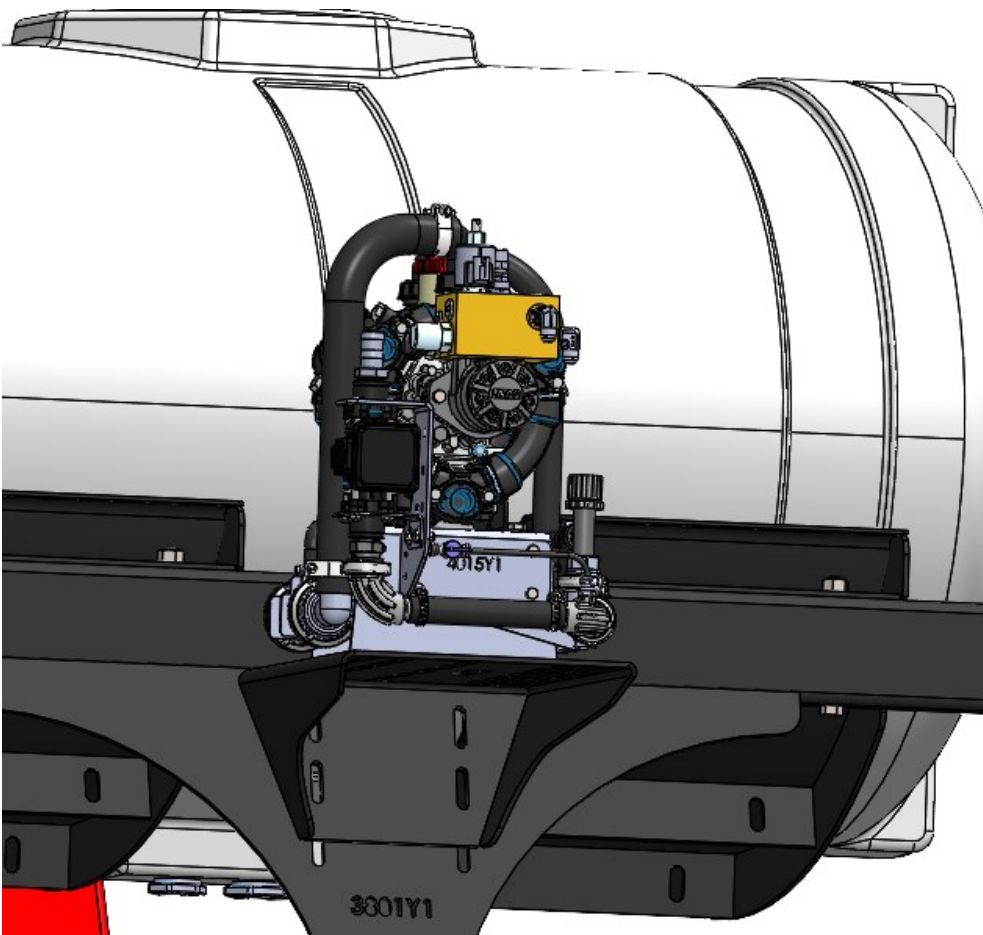


# Suggested Items

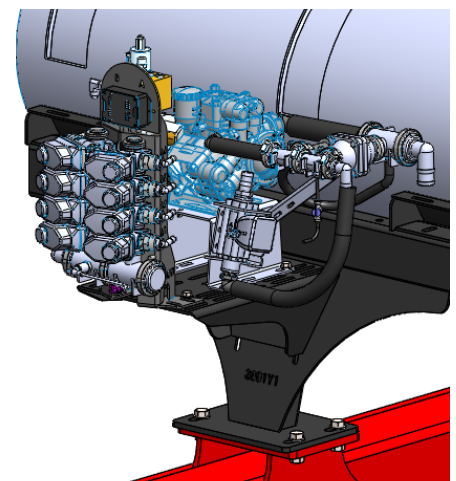
**Kit Number: 515-201250**

**Kit Description: Case 2150 Pump Mount For 400/500 Gallon (Front of Tank)**

ITEM NO.	PART NUMBER	DESCRIPTION	QTY.
1	300-080108-5	1/2" x 1-1/2" Hex Head Bolt - G5	8
2	323-08	1/2" Flange Nut	8
3	330-08	1/2" Flat Washer	8
4	420-3807Y1-BK	Case 2150 Front Pump Mount	1



*Shown with SureFire Tower System*



*Shown with SureFire LiquiShift™ System*

1. Mount 420-3807Y1-BK pump mounting bracket to the Case 2150 Front pedestal (420-3801Y1-BK) using four (4) 1/2"x 1-1/2" hex head bolts, washers and flange nuts.
2. Mount Tower/PumpRight using four (4) 1/2"x 1-1/2" hex head bolts, washers and flange nuts.



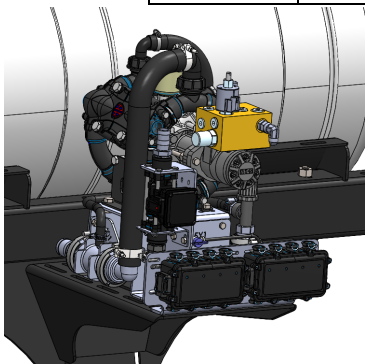


# Suggested Items

**Kit Number: 515-00-201300**

**Kit Description: Case 2150 Flow Indicator & Sentinel**

ITEM NO.	PART NUMBER	DESCRIPTION	QTY.
1	300-080108-5	1/2" x 1-1/2" Hex Head Bolt - G5	7
2	323-08	1/2" Flange Nut	7
3	330-08	1/2" Flat Washer	7
4	400-5043Y1	Case 2150 Flowmeter Bracket	1



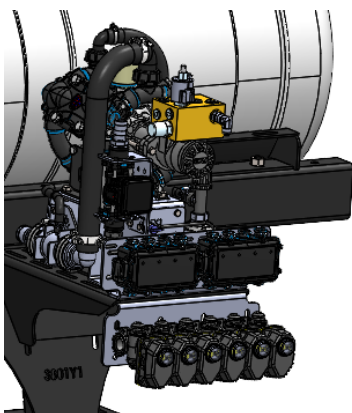
1. Mount 400-5043Y1 flowmeter bracket to the Case 2150 Front Pump Mount (457-3807Y1-BK) using three (3) 1/2"x 1-1/2" hex head bolts, washers and flange nuts.
2. Mount sentinel flow indicators with provided hardware.

**Kit Number: 515-00-201325**

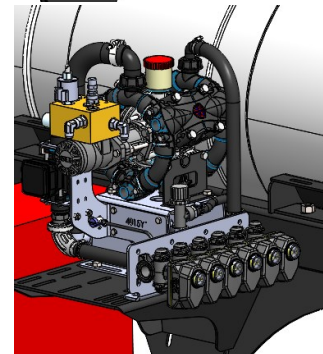
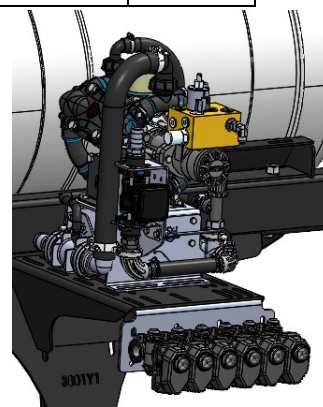
**Kit Description: Case 2150 Section Valves**

ITEM NO.	PART NUMBER	DESCRIPTION	QTY.
1	300-080108-5	1/2" x 1-1/2" Hex Head Bolt - G5	7
2	323-08	1/2" Flange Nut	7
3	330-08	1/2" Flat Washer	7
4	400-5044Y1	Case 2150 Section Valve Mounting Bracket	1

1. Mount 400-5044Y1 section valve mounting bracket to the Case 2150 Front Pump Mount (457-3807Y1-BK) using three (3) 1/2"x 1-1/2" hex head bolts, washers and flange nuts.
2. Mount section valves with provided hardware.



*Shown with both options*

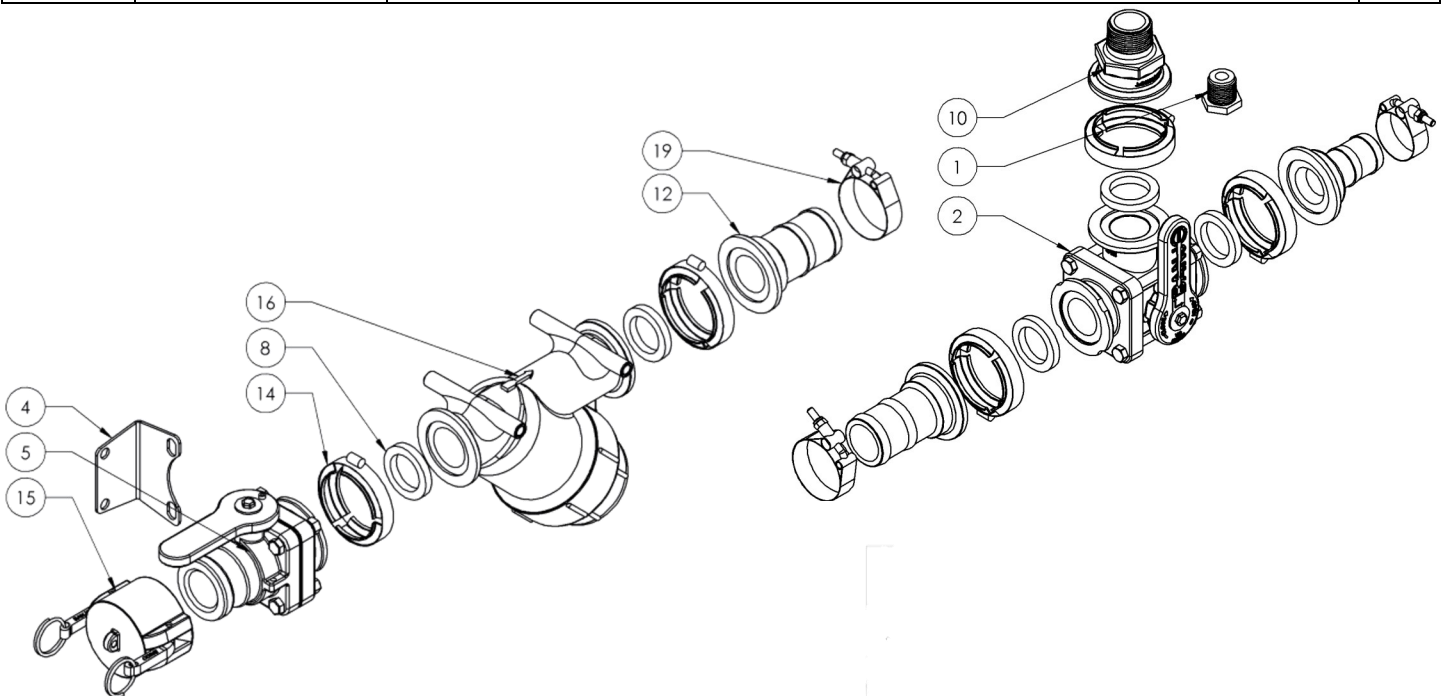




# Suggested Items

## Kit Description: Case 2150 Fill/Discharge Tank Plumbing Kit Kit Number: 520-00-200100

ITEM NO.	PART NUMBER	DESCRIPTION	QTY.
1	100-075PLUG	3/4" Pipe Plug	1
2	102-200MV-3SL	2" Manifold 3-Way Valve - Side Load	1
3	102-200VBR	2" Mounting Bracket - Straight	1
4	102-200VBR-90	2" Mounting Bracket - 90 Degree	1
5	102-200VSFCF	200 Series Manifold x 2" Male Quick Coupler Standard Port Poly Valve	1
6	105-100075BRB	1" Manifold x 3/4" HB	1
7	105-100G-H	1" EPDM Manifold Gasket	1
8	105-150G-H	1-1/2" EPDM Manifold Gasket for 200 Series Manifold Fittings	5
9	105-200100CPG	2" Manifold x 1" Manifold - Reducer Coupling	1
10	105-200125MPT	2" Manifold x 1-1/4" MPT	1
11	105-200150BRB	2" Manifold x 1-1/2" HB	1
12	105-200BRB	2" Manifold x 2" HB	2
13	105-FC100	1" Manifold Clamp	1
14	105-FC200	2" Manifold Clamp	5
15	106-200CAP	2" Cap	1
16	109-200MLS-50M	2" Manifold Y Strainer - 50 Mesh w/ 5/16" bolt holes for mounting	1
17	350-1208	SS Hose Clamp - Size 12 - 1-1/4" Diameter (fits 3/4" AG200)	2
18	350-TC181	Pressure Seal HD Clamp, Size 238 (fits 1 1/2" Enforcer)	2
19	350-TC231	Pressure Seal HD Clamp, Size 288 (fits 2" Enforcer)	2
20	384-1095	Hardware Kit - 3/8" Hex Cap Bolts and 3/8" Flange Nuts (Qty: 4)	1
21	384-1004	Hardware Kit - Qty 6 Size 12 x 1-1/4" Self Drilling Screws with Qty 4 5/16" Fender Washers	1
22	280-200-ENF	2" Enforcer Fertilizer Solution Hose	1

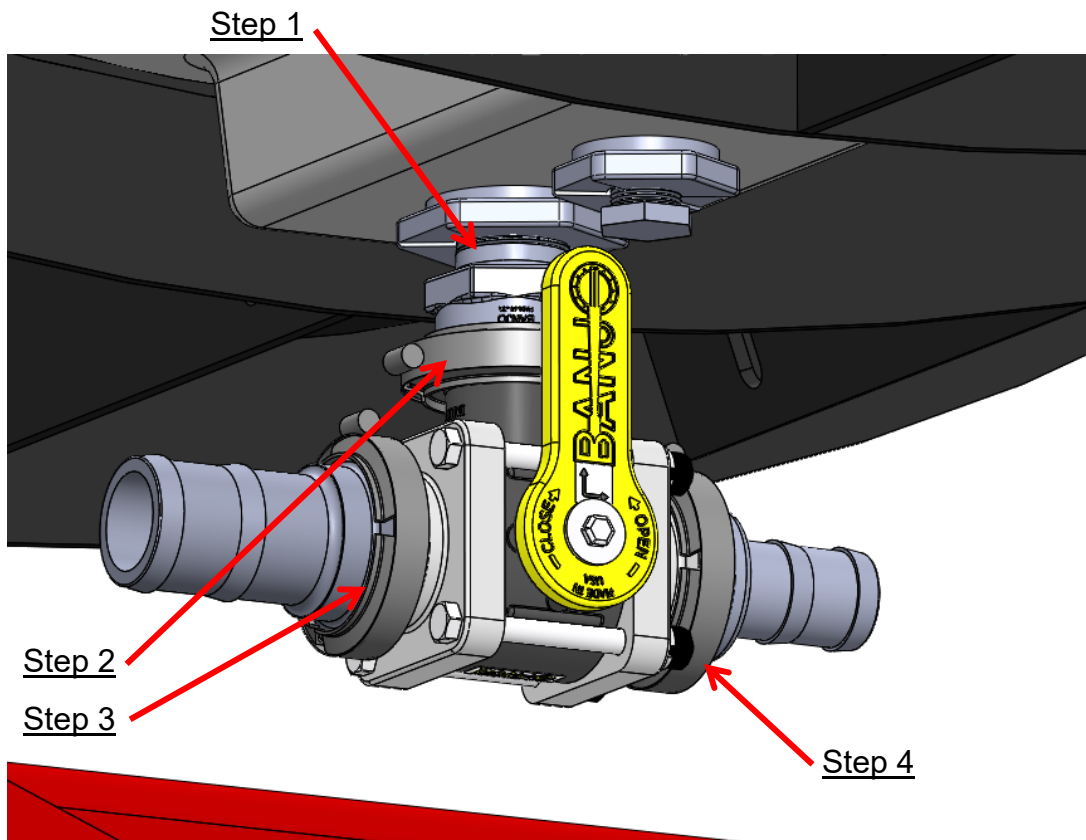




# Step by Step Instructions

## Fill/Discharge 3-Way Valve Assembly

1. Thread 2" Manifold x 1-1/4" MPT (Item 10) into 1-1/4" tank bung.
2. Connect 2" Manifold 3-Way Valve (Item 2) using EPDM gasket (Item 8) and manifold clamp (Item 14).
3. Attach 2" Manifold x 2" HB (Item 12) to valve using EPDM gasket and manifold clamp. *Note: The hose barb should be facing the rear of the planter.*
4. For PumpRight, use 2" Manifold x 1-1/2" HB (Item 11) and connect to valve using EPDM gasket and manifold clamp. For Tower, use 2" Manifold x 1" Manifold reducer coupling (Item 9) and 1" Manifold x 3/4" HB fitting (Item 6). Attach appropriate size hose using provided hose clamps (Item 17/18) and route to pump inlet.





# Step by Step Instructions

## Fill Kit Strainer Assembly

1. Remove nuts on 2" Quick Coupler Valve (Item 5) as required to fasten mounting brackets (Item 3 or Item 4) to valve and replace nuts, tighten. (*Straight and 90° bracket are provided for mounting location flexibility*)
2. Using the appropriate hardware kits (Item 20/21) fasten poly valve and mounting brackets to the planter, likely on the rear hitch or platform stairs.
3. Assemble the rest of the fill kit strainer assembly as shown.
4. Route 2" hose (Item 22) from strainer assembly 2" hose barb to tank opening 2" hose barb (Item 12) and tighten using two hose clamps (Item 19). Make sure to check hose routing for pinch points.

