

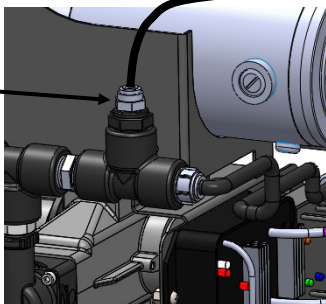


396-3440Y1

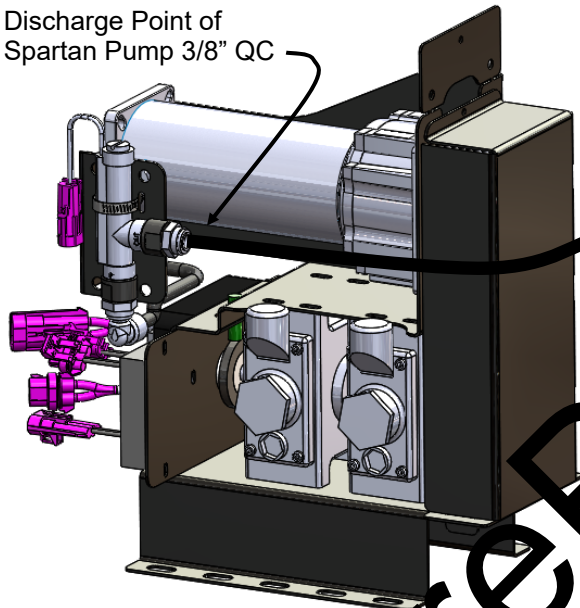
### Spartan Pump Assembly Bag Installation Instructions PN: 507-050000



Optional Pressure Gauge or Pressure Sensor Port. For Gauge, remove 1/4" plug and install 1/4" MPT x 1/4" QC. For Sensor, remove 1/4" plug and thread sensor in.



Discharge Point of Spartan Pump 3/8" QC



Gauge Assembly w/ Magnet Mount  
PN:521-05-250200

3/8" QC Equal Tee  
PN:113-08-03803-038

3/8" Stem x 1/4" QC Reducer  
PN:113-03-038025-P

1/4" Tube  
Option #2

Pressure Gauge  
PN:137-ASG150

1/4" Tube  
Option #1

Air Bleeder/Priming Valve  
1/4" QC Valve  
PN: 113-50-025025-V

Radial Lock Cap  
3/8" QC Outlet  
PN:132-40436-05

15 lb Check Valve  
3/8" QC Inlet x 1/4" QC Outlet  
PN:136-15-06QC04QC-V

**NOTE:** Keep length of tubing that is highlighted in RED to a minimum

1/4" or 3/8" Tube

One-Way Check Valve

Injection Point

**NOTE:** When Injecting into a Mixing Chamber or Main Product Line with the Spartan Pump, you must use a One-Way Check Valve at the Injection Point to prevent back flow to the Spartan Pump.

Standard NH3 Mixing Chamber Kit