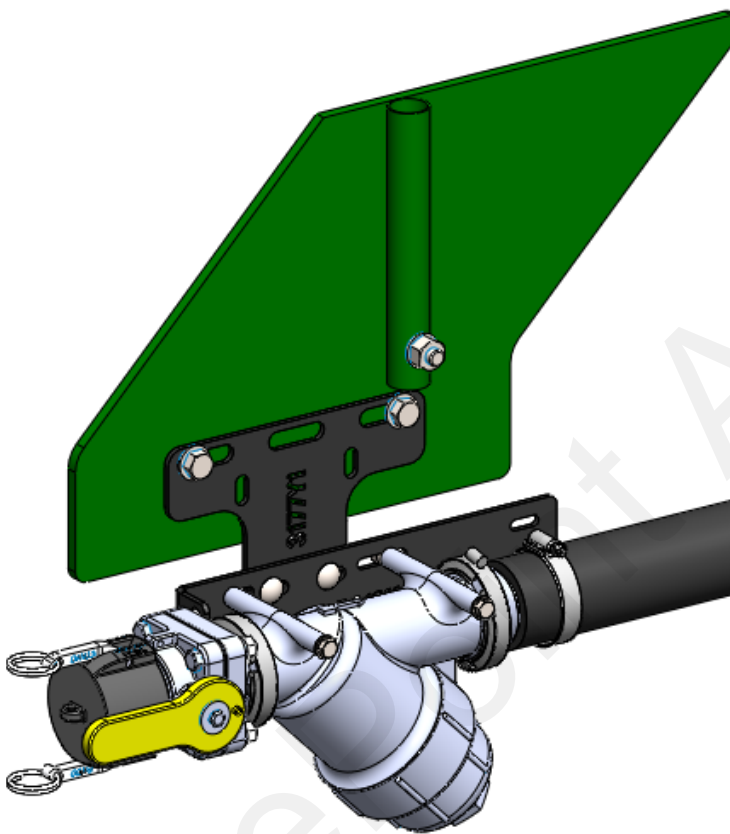




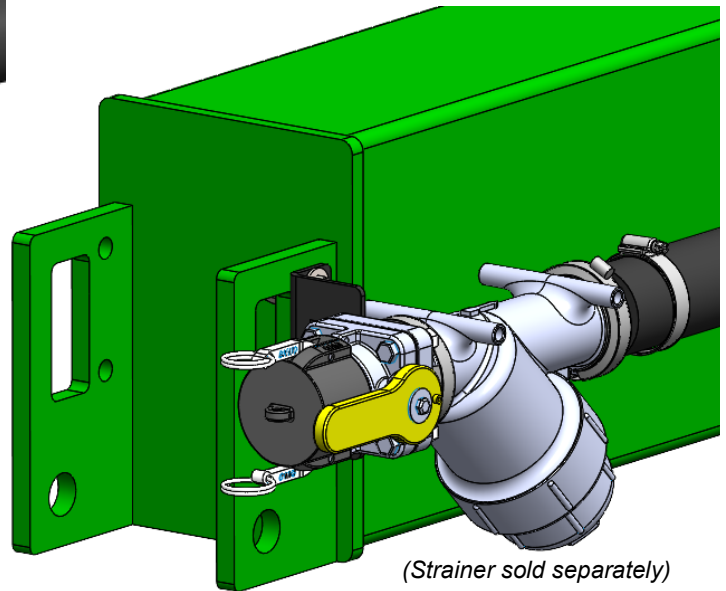
396-3178Y1

John Deere Planter Fill Kit Installation Instructions

Planter Manufacturer: John Deere DB Series, 1775NT, 1795



(Strainer sold separately)



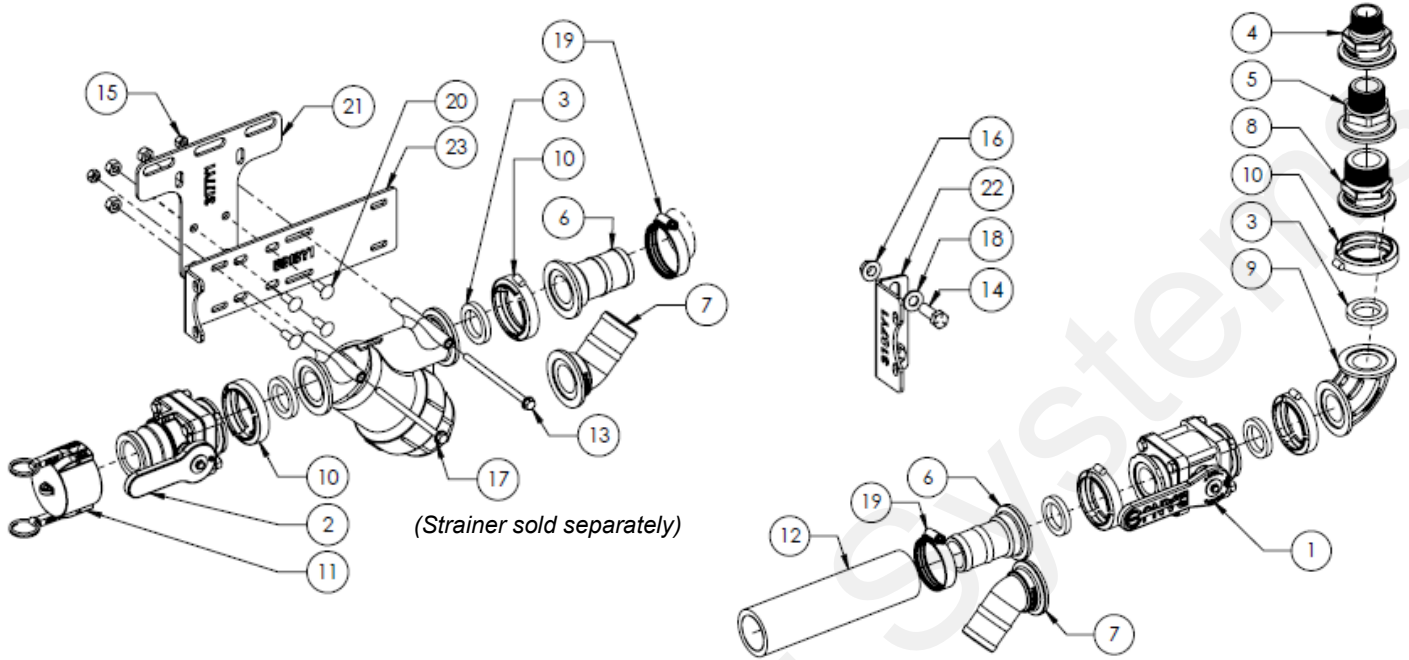
(Strainer sold separately)

Kit Number: 520-00-101710

Kit Description: Fill Kit, JD Planter CCS Stairs or Rear Hitch Mount, 2" Hose



Parts List and Exploded View Kit: 520-00-101710



ITEM NO.	PART NUMBER	DESCRIPTION	QTY.
1	102-200MVCF	2" Manifold Standard Port Poly Valve	1
2	102-200VSFCF	200 Series Manifold x 2" Male Quick Coupler Standard Port Poly Valve	1
3	105-150G-H	1-1/2" EPDM Manifold Gasket for 200 Series Manifold Fittings	5
4	105-200125MPT	2" Manifold x 1-1/4" MPT	1
5	105-200150MPT	2" Manifold x 1-1/2" MPT	1
6	105-200BRB	2" Manifold x 2" HB	2
7	105-200BRB45	2" Manifold x 2" HB - 45 Degree	2
8	105-200MPT	2" Manifold x 2" MPT	1
9	105-200SWP90	2" Manifold Sweep—90 Degree	1
10	105-FC200	2" Manifold Clamp	5
11	106-200CAP	2" Cap	1
12	280-200-ENF	2" Enforcer Fertilizer Solution Hose	1
13	300-050508-5	5/16" x 5-1/2" Hex Head Bolt - G5	2
14	300-080108-5	1/2" x 1-1/2" Hex Head Bolt - G5	2
15	323-05	5/16" Flange Nut	2
16	323-08	1/2" Flange Nut	2
17	330-05	5/16" Flat Washer	2
18	330-08	1/2" Flat Washer	2
19	350-PS288	Pressure Seal HD Clamp, Size 288 - 2.125" - 2.625"	2
20	384-1080	Hardware Kit - Qty 4 of 3/8" Carriage Bolts and 3/8" Flange Nuts	1
21	400-3177Y1-BK	JD 1770 Fill Kit Strainer Mounting Bracket	1
22	400-3187Y1-BK	JD 1770 Rear Hitch Fill Kit Mounting Bracket	1
23	400-5918Y1	JD 1775 Long Strainer Mounting Bracket	1

Note: Strainer is not provided as part of this kit.



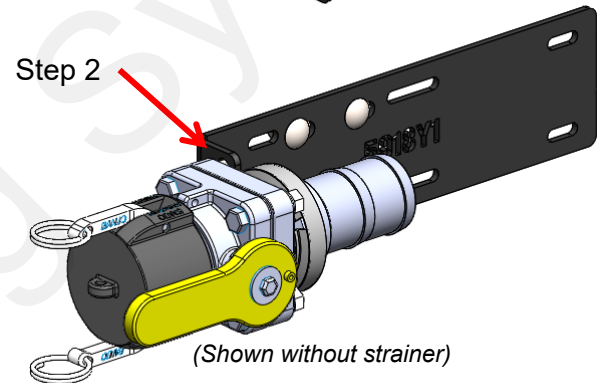
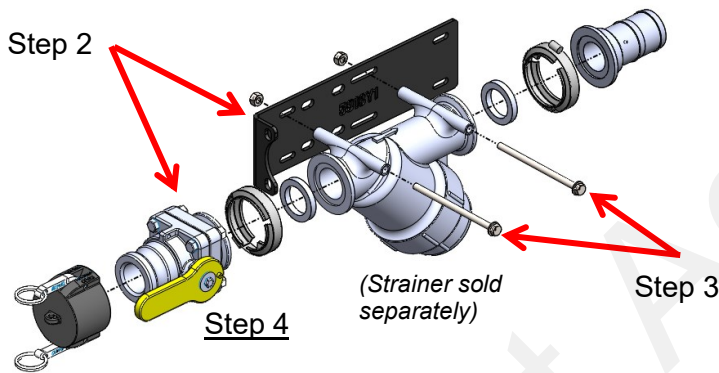
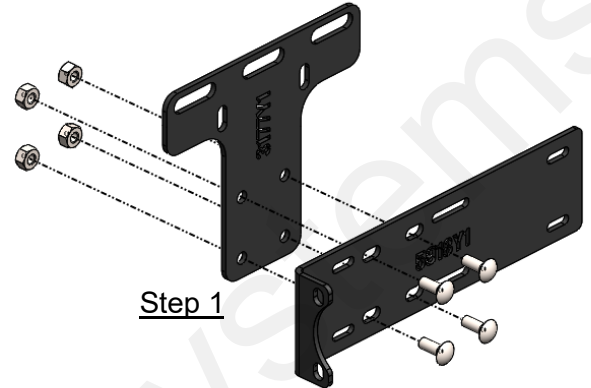
Step by Step Instructions Platform Stairs Mounting

520-00-101710 Fill Kit mounting bracket is designed to work with 1770NT and 1775NT CCS planters, as well as DB60 and DB90 planters. Use 5918Y1 and 3177Y1 for planters with no rear hitch.

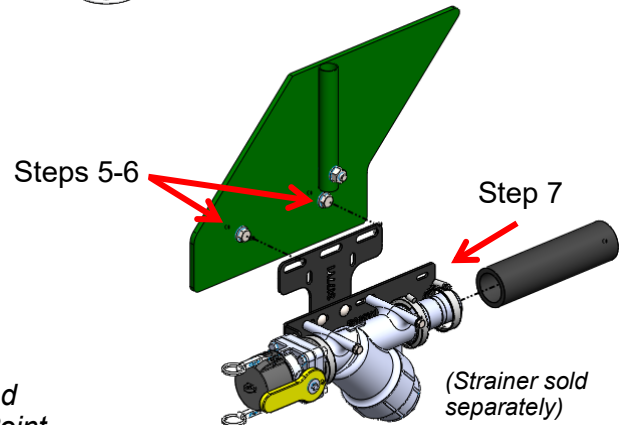
Optional Strainer Assembly Mounting:

Note: Strainer is not provide as part of this kit.

1. Attach strainer mounting bracket to mounting bracket using four (4) 3/8" x 1" carriage bolts and flange nuts.
2. Remove nuts on Poly Valve as required to fasten valve to strainer mounting bracket. Re-install nuts and wrench tighten
3. Using two (2) 5/16" x 5-1/2" hex head bolts, flat washers and nuts, attach strainer to strainer mounting bracket. Re-tighten all bolts.
4. Pre-assemble fill kit components as shown.

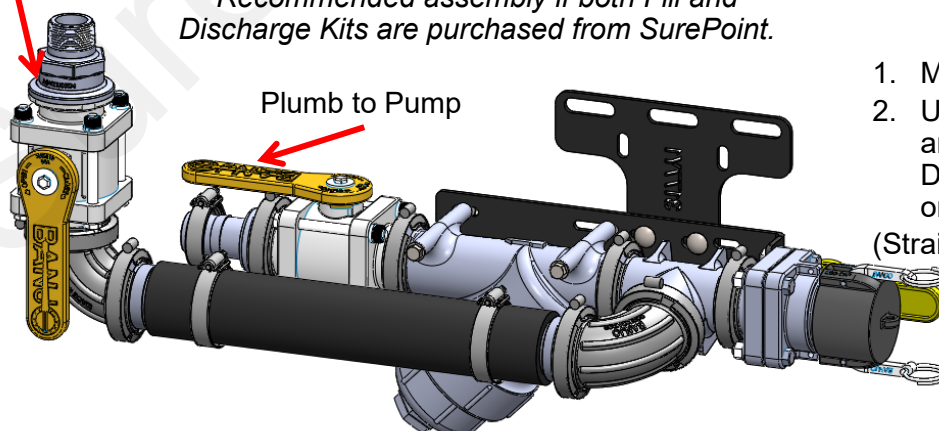


5. Remove existing bolts that fasten the lower step of the rear platform steps.
6. Mount fill kit strainer assembly and mounting bracket to rear step of John Deere 1770NT or 1775NT as shown right. Re-install bolts and wrench tighten.
7. Push 2" enforcer hose onto hose barb fittings of choice and tighten hose clamp. Route 2" hose from tank assembly hose barb to strainer assembly hose barb.



Tank Valve

Recommended assembly if both Fill and Discharge Kits are purchased from SurePoint.



1. Mount brackets as shown above
2. Using fittings from provided fill kit and fittings from SurePoint Discharge kit, assembly as shown on the left. (Strainer sold separately)



Step by Step Instructions (cont)

400-3187Y1 mounting bracket is designed to work with 1770NT and 1775NT, CCS or non-CCS planters with a rear hitch. 400-3187Y1 variation will not work when pulling a liquid cart. On CCS planters with no rear hitch, use 400-2605Y1 and 400-3177Y1.

Optional Strainer Assembly Mounting:

1. Remove nuts on Poly Valve as required to fasten valve to rear hitch mounting bracket. Re-install nuts and wrench tighten.
2. Pre-assemble fill kit components as shown.
3. Using two (2) 1/2" x 1-1/2" hex head bolts, flat washers and nuts, attach rear hitch bracket to rear hitch of planter as shown..

