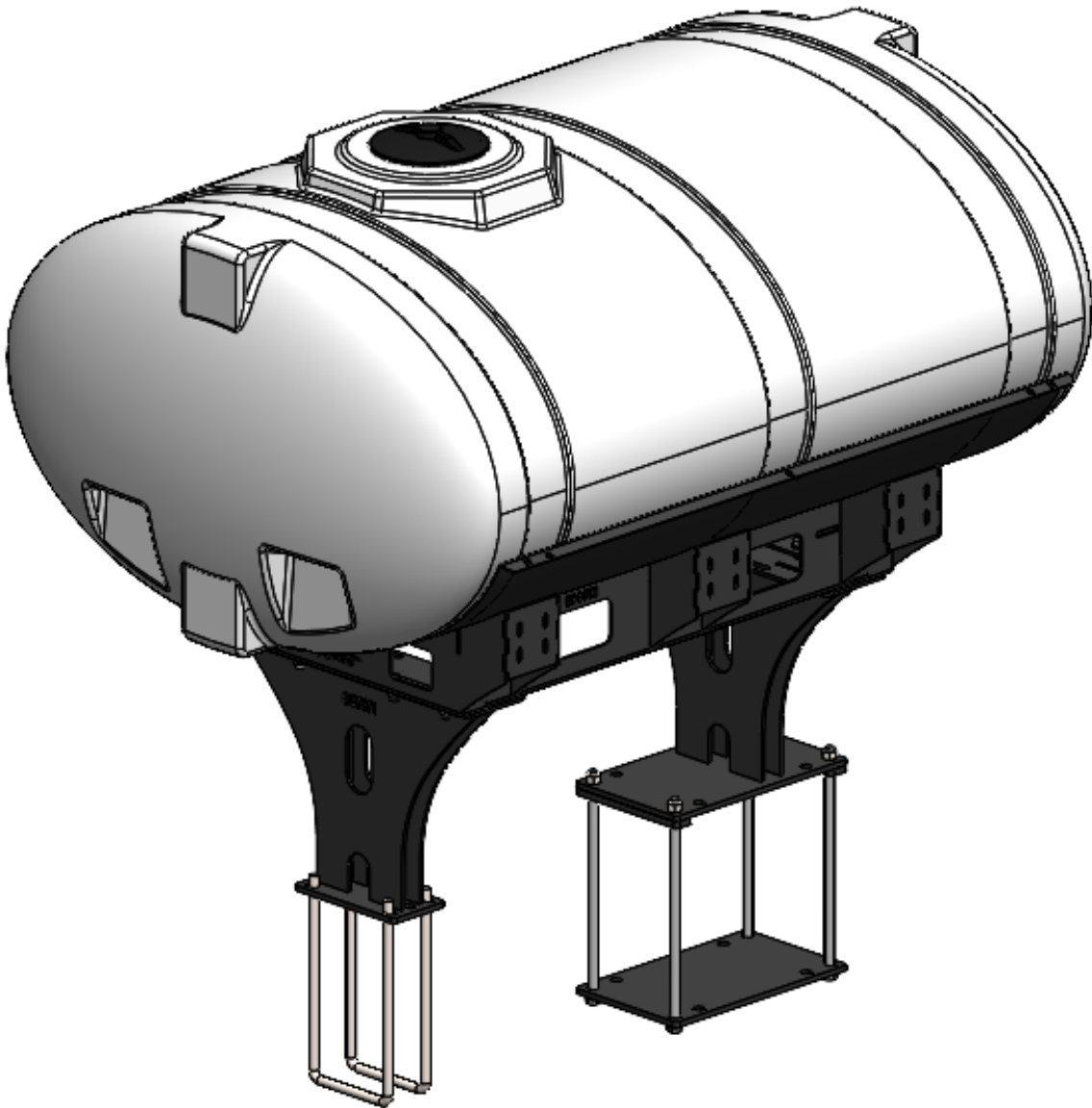




# 396-3095Y1

## Case iH 24 Row 1250 Planter 500 Gallon Elliptical Tank Mounting

Kit Number: 530-02-155500

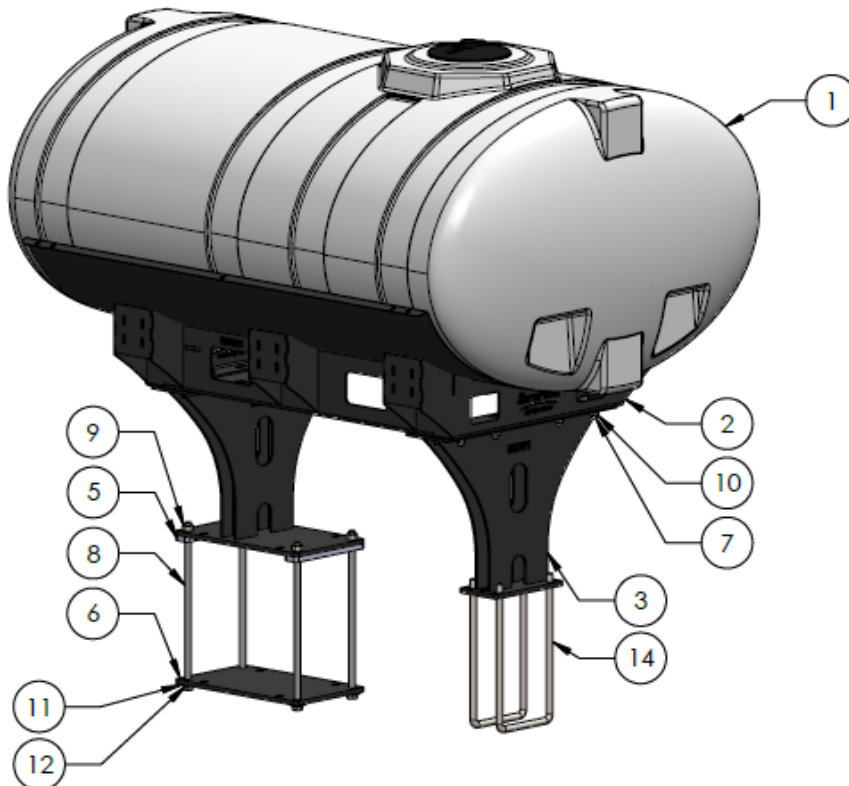




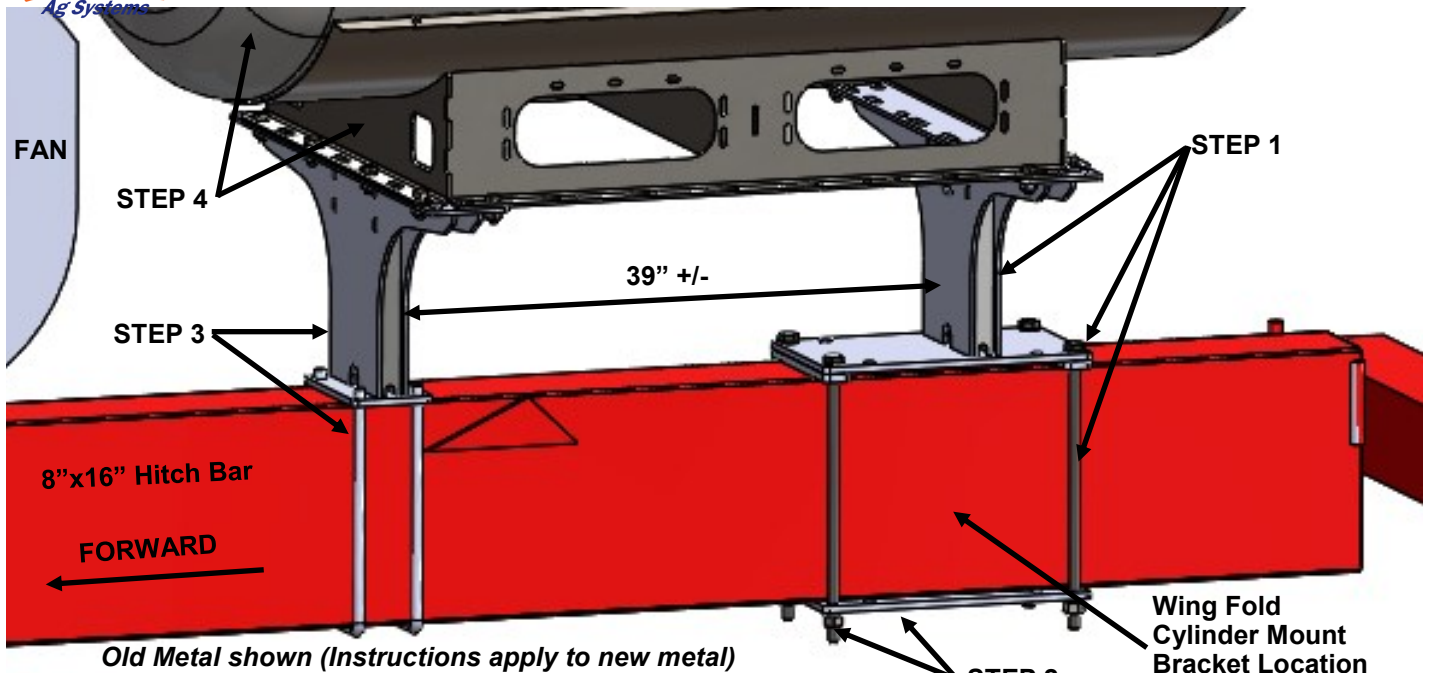
# Parts List and Exploded View

**Kit Number: 530-02-155500 (500 Gallon Elliptical Tank)**

ITEM NO.	PART NUMBER	DESCRIPTION	QTY.
1	727-01-HE0500-57-CS-W	Elliptical Tank - 500 Gal - White - Center Sump	1
2	421-5638Y1	500 Gallon Elliptical Cradle - New Design	1
3	421-6571Y1	20" Light Duty Tank Pedestal	1
4	421-6621Y1	Rear Pedestal for Case IH 24R 1250	1
5	421-2274Y1	Spacer Plate, CaseIH 24R30 Rear Tank Bracket	2
6	421-2058A1	Bolt Plate, 24 Row Case IH Tank Support	1
7	307-100108-5	Flange Head Bolt, 5/8" x 1-1/2" - G5	12
8	300-122000-8	3/4" x 20" Hex Head Bolt - G8	4
9	320-12-8	3/4" Nut G8	4
10	325-10	5/8" Top Lock Hex Flange Nut	12
11	330-12-8	3/4" Flat Washer G8	8
12	331-12-8	3/4" Lock Washer G8	4
13	525-3000	3" Tank Strap Kit for 400 - 1000 gal tank (one strap per kit)	3
14	380-1067	3/4" U-Bolt Kit - fits 8" x 16" tube (8" Opening)	2
15	521-00-100285	Tank Overflow Assembly Bag for 400 - 750 Gal Tanks	1
16	280-100-AG200	1" AG200 Bulk	10'



# Step by Step Instructions



1. Using the 3/4" hardware provided, mount the Rear Pedestal so that it straddles the Wing Fold Cylinder Mount Bracket (See Detail A, Below) attached to the 8"x16" Hitch Bar towards the rear. Place the Spacer Brackets underneath the Rear Tank Stand as shown in picture above.
2. Lift the Bolt Plate (421-2058A1) up to bottom of Hitch Bar making sure all four 20" long Bolts go through the hole openings of the Bolt Plate. Use the supplied 3/4" Washers, Lock washers and Flange Nuts. Leave the Nuts loose to allow for adjustment in Step 4.
3. Mount the Front Tank Stand about 39" from rear tank stand (Inside to Inside, see picture above) with the supplied Square Bend U-bolts as shown in picture above. Do not fully tighten U-bolts to allow for adjustment in Step 4.
4. Mount the Tank Cradle to the pedestal as shown in picture above with the provided 5/8" hardware. Place the 500 Gal Elliptical Tank onto the cradle and center. Strap down and tighten the tank with the 3 provided straps (The straps will need to be re-tightened after the tank is filled) . Once the Cradle and Tank is in its desired location, fully tighten all Nuts and Bolts.



**DETAIL A**