

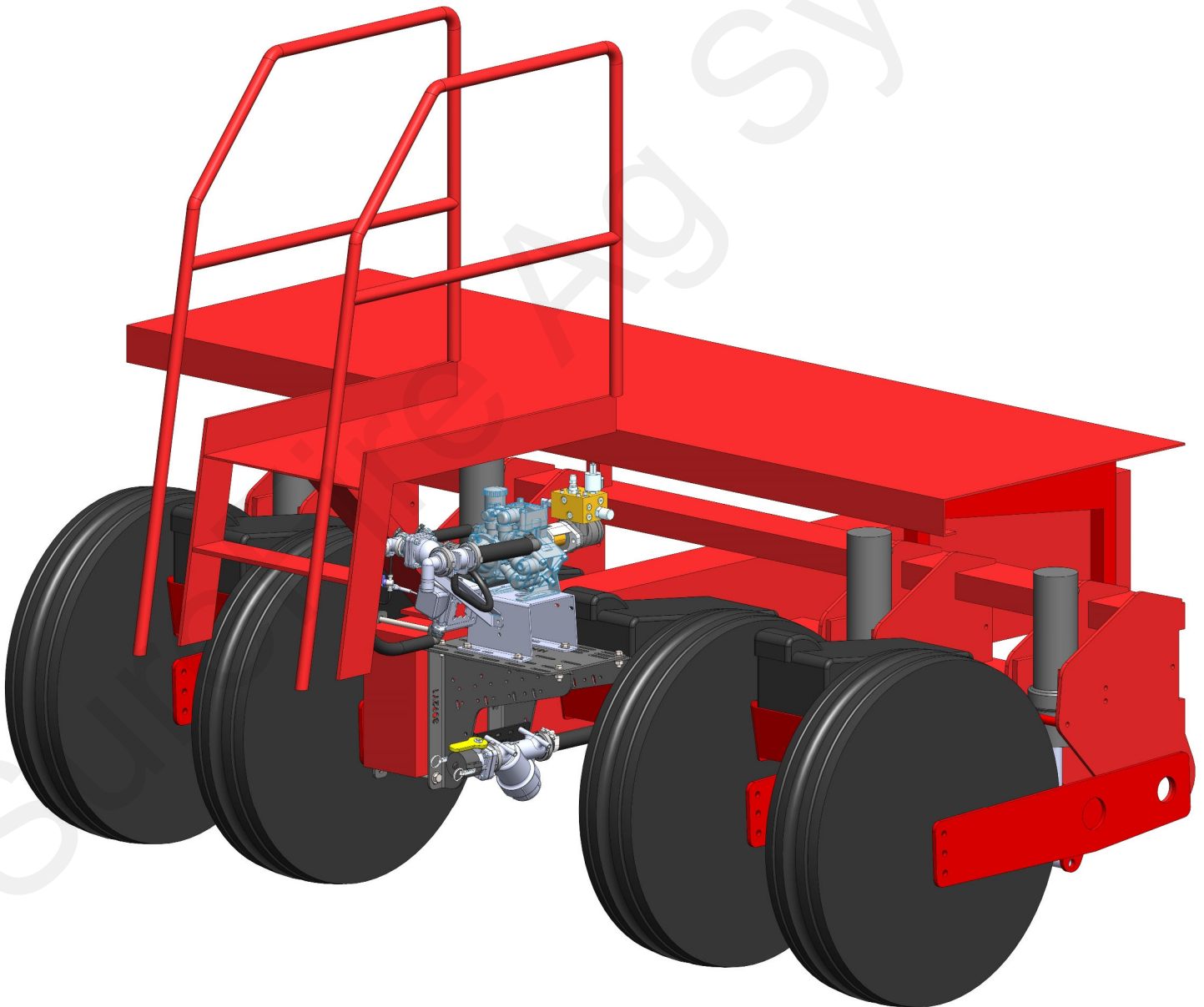


# 396-3093Y1

## Case iH 1250/1255 24 Row Rear Hitch Pump Mount Instructions

Planter Manufacturer: **CASE IH**  
AGRICULTURE

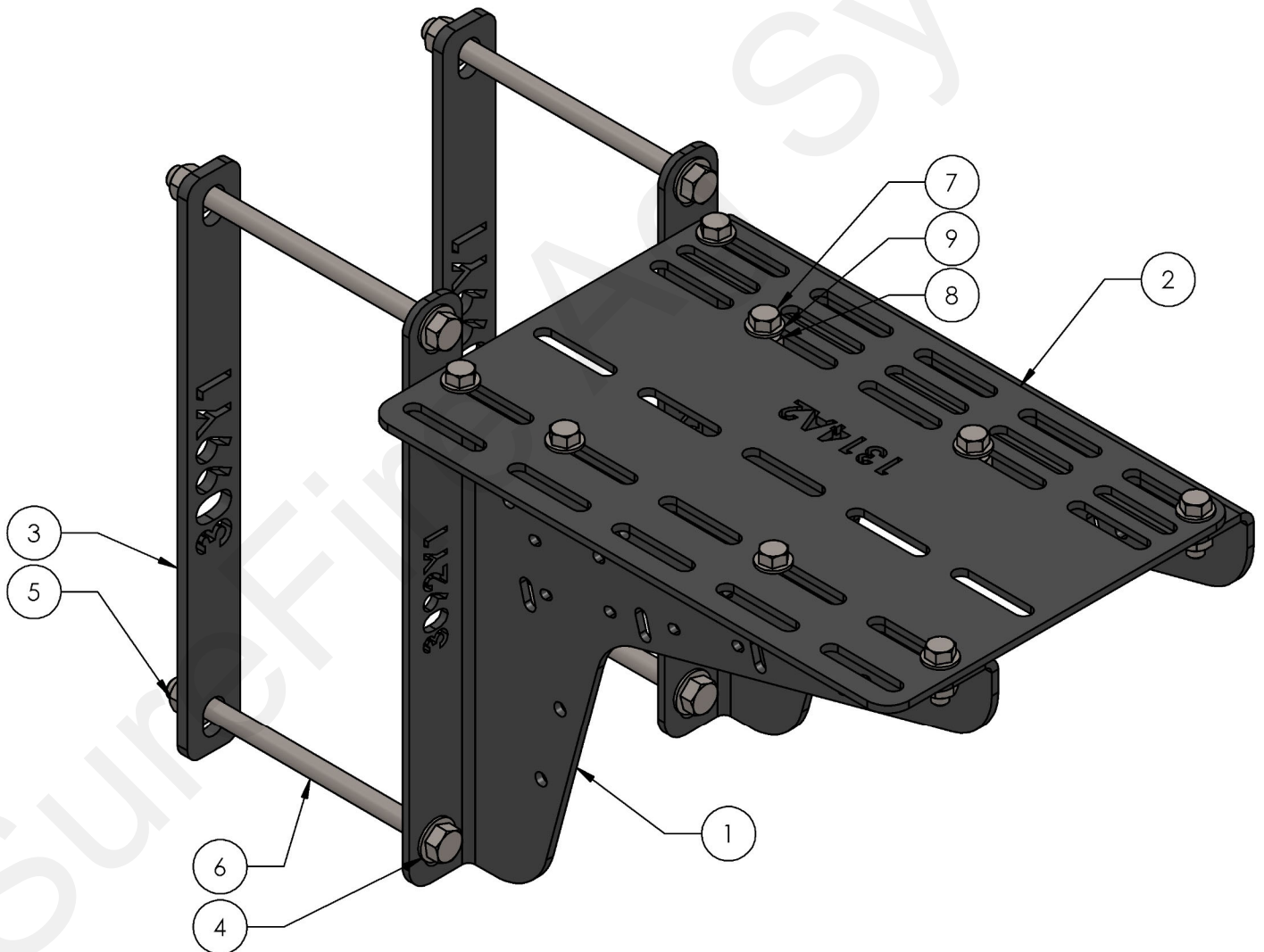
Kit Number: 515-03-201210





# Parts List

ITEM NO.	PART NUMBER	DESCRIPTION	QTY.
1	457-3092Y1	Case iH 24 Row Rear Hitch Pump Mounting Bracket	2
2	400-1314A2-BK	Black Over Tire Pump Mount - Top Plate	1
3	457-3099Y1	Case iH 24 Row Rear Hitch Pump Mount Backer Plate	2
4	330-10	5/8" Flat Washer	8
5	321-10	5/8" Nylock Nut	4
6	300-101000-5	5/8" x 10" Hex Head Bolt - G5	4
7	300-080108-5	1/2" x 1-1/2" HCS G5	8
8	323-08	1/2" Flange Nut	8
9	330-08	1/2" Flat Washer	8

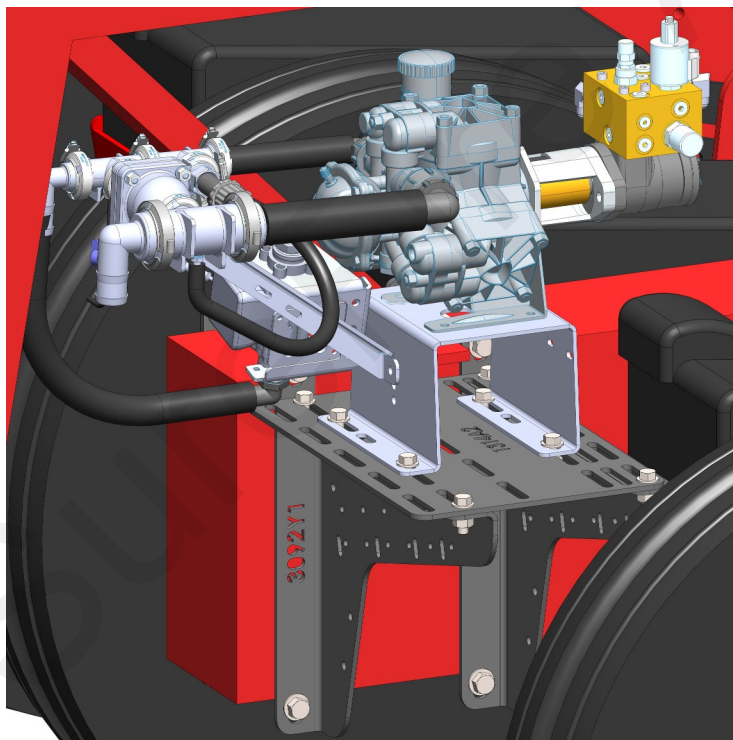
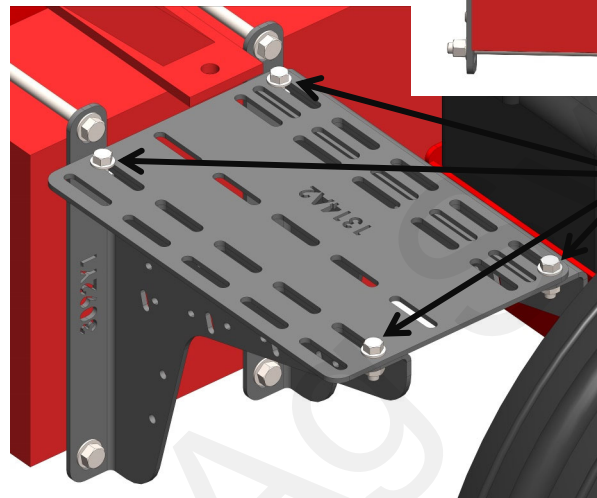
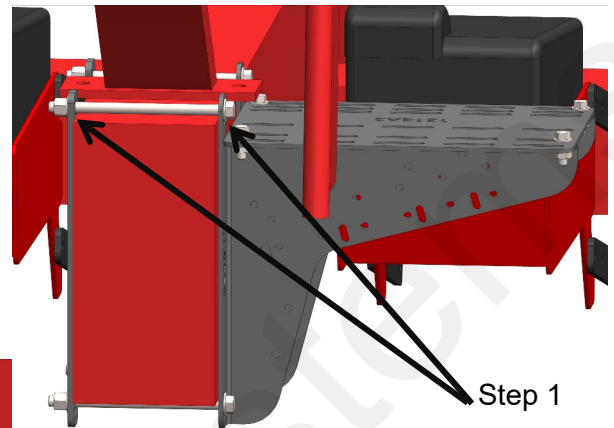




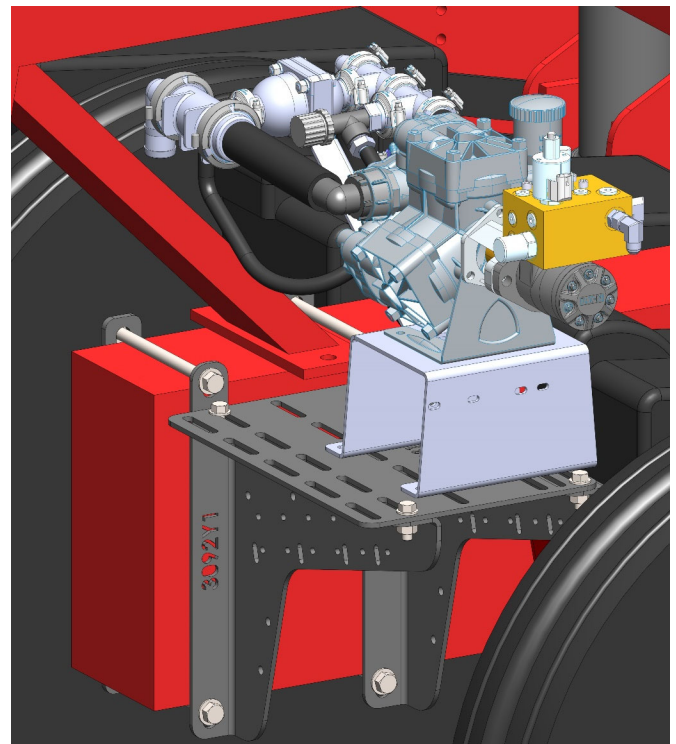
# Step by Step Instructions D70 & D115

## Single Pump - D115 and D70

1. Loosely attach pump mount brackets (Item 1) and backer plates (Item 3) using four (4) 5/8" x 10" hex head bolts, washers and nylock nuts. Note: Pump mount brackets should be approximately 9-1/2" apart.
2. Attach top plate (Item 2) using four (4) 1/2" x 1-1/2" hex head bolts and flange nuts. Bolts should go in the 1st and 5th rows as shown.
3. Mount D70 or D115 pump with plumbing toward the rear or to the side as shown below.
4. Inspect pump installation for clearance with tire and row unit and wrench tighten all bolts.



Shown Above: D115 with plumbing to the side



Shown Above : D115 with plumbing to the rear

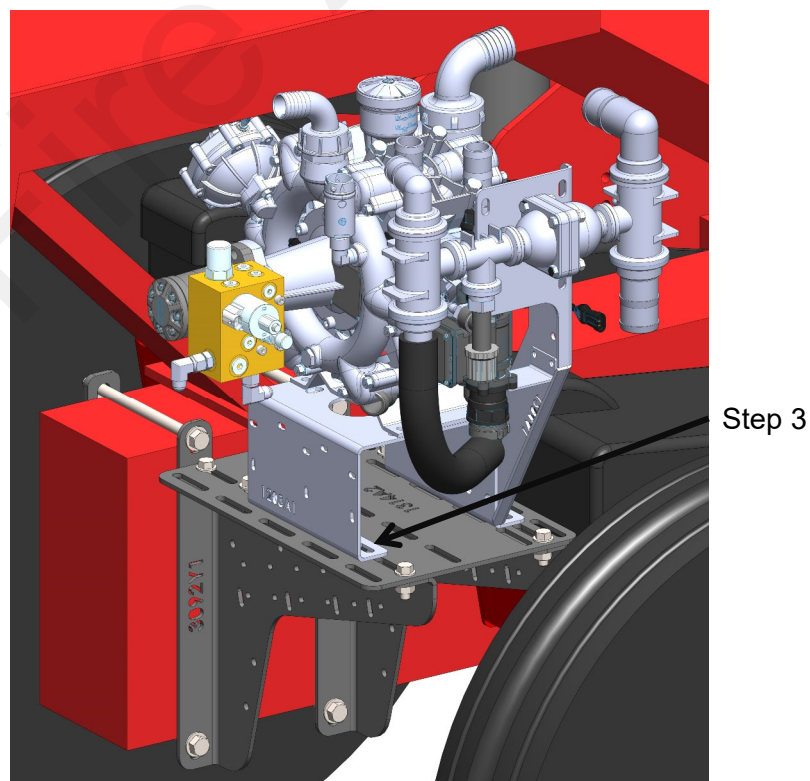
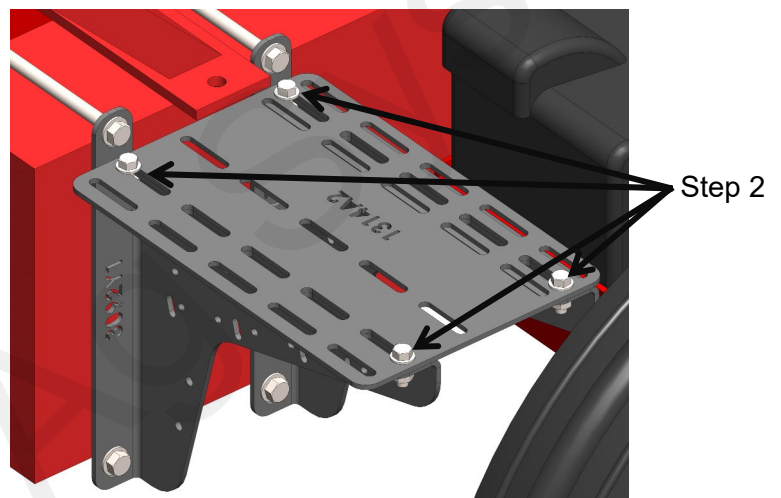
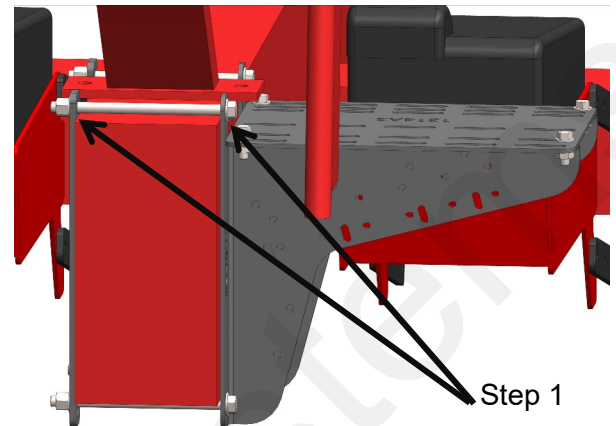




# Step by Step Instructions D160 & D250

## Single Pump - D115 and D70

1. Loosely attach pump mount brackets (Item 1) and backer plates (Item 3) using four (4) 5/8" x 10" hex head bolts, washers and nylock nuts. Note: Pump mount brackets should be approximately 9-1/2" apart.
2. Attach top plate (Item 2) using four (4) 1/2" x 1-1/2" hex head bolts and flange nuts. Bolts should go in the 2nd and 5th rows as shown.
3. Mount D160 or D250 pump using four (4) 1/2" x 1-1/2" hex head bolts and flange nuts. Bolts should also go in the 2nd and 5th rows as shown.
4. Inspect pump installation for clearance with tire and row unit and wrench tighten all bolts.

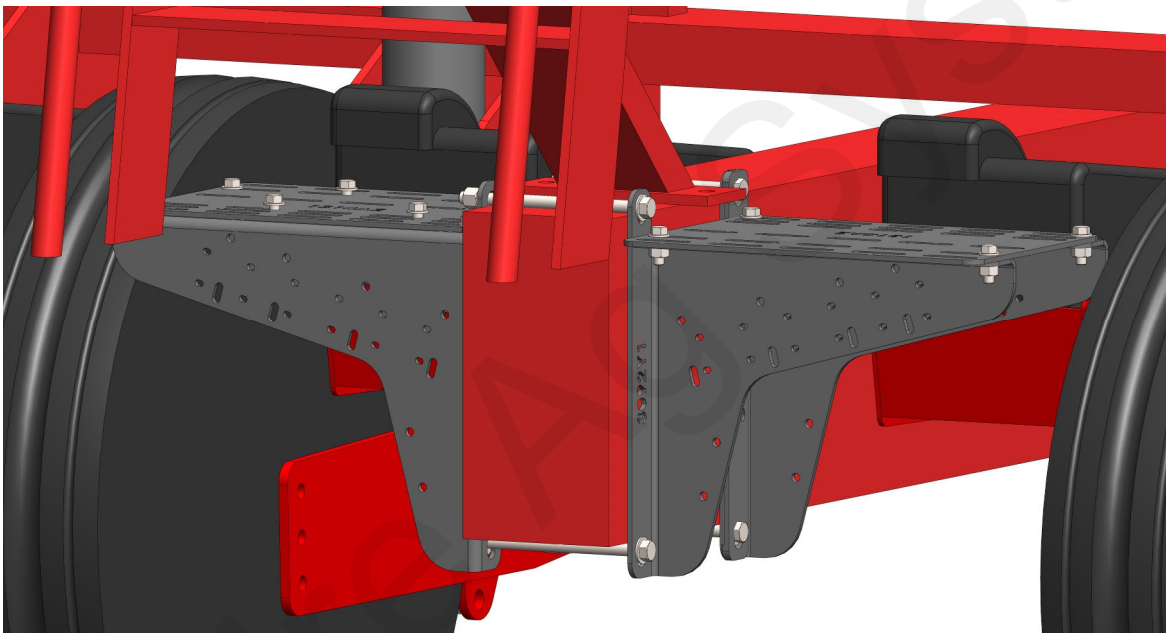




# Step by Step Instructions

## Dual Pump (Dual Product)

1. Loosely attach pump mount brackets (Item 1) using four (4) 5/8" x 10" hex head bolts, eight (8) washers and four (4) nylock nuts. *Note: For dual pump installation, backer plates are not needed.*
2. Attach top plates (Item 2) using four (4) 1/2" x 1-1/2" hex head bolts and flange nuts.
3. Follow pump mounting instructions from the previous pages.
4. Inspect pump installation for clearance with tire and row unit and wrench tighten all bolts.

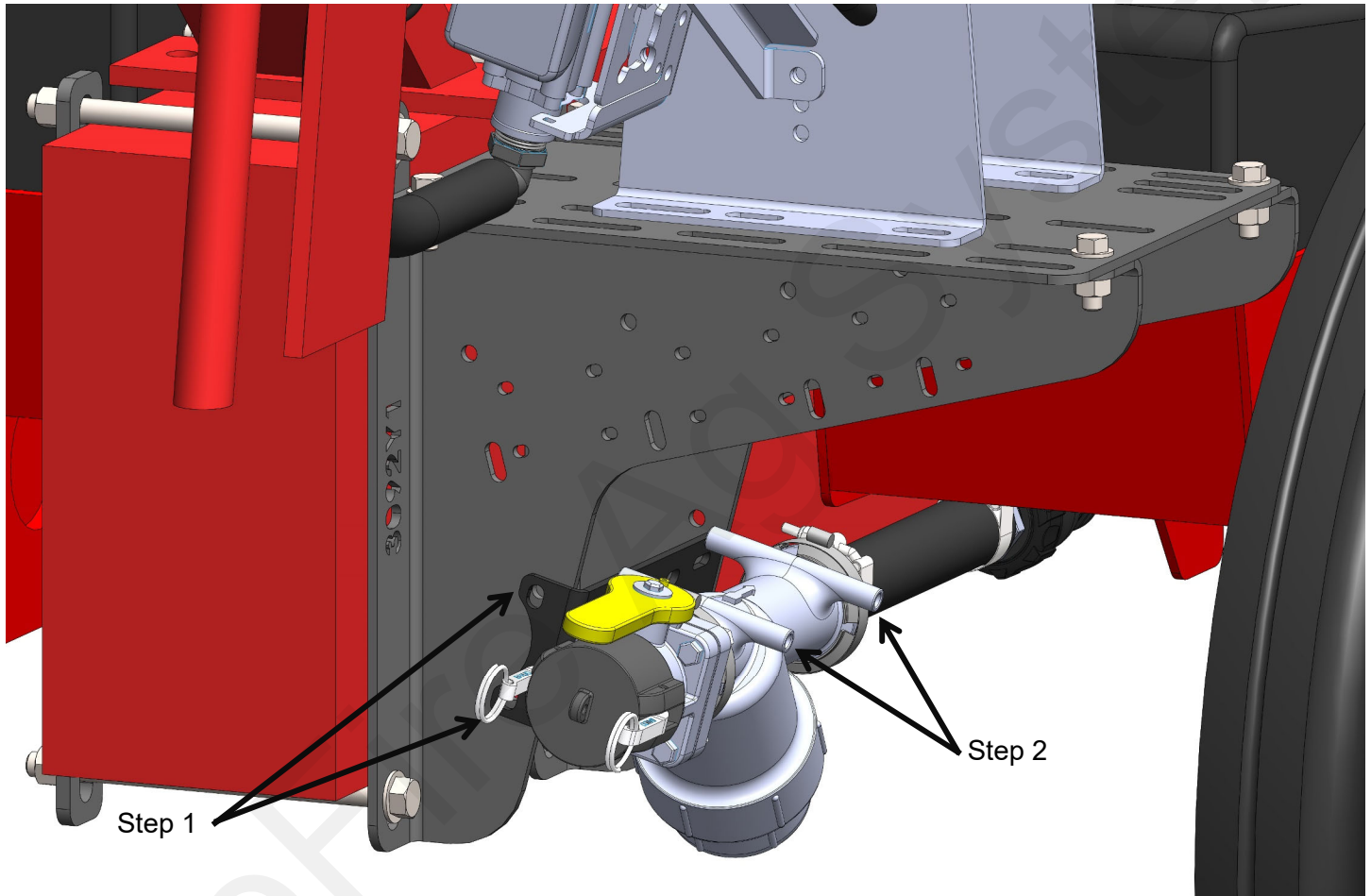




# Plumbing Fill Kit Installation

**Kit Number: 555-300700**

**Kit Description: Fill Kit Bracket for Case 1250/1255**

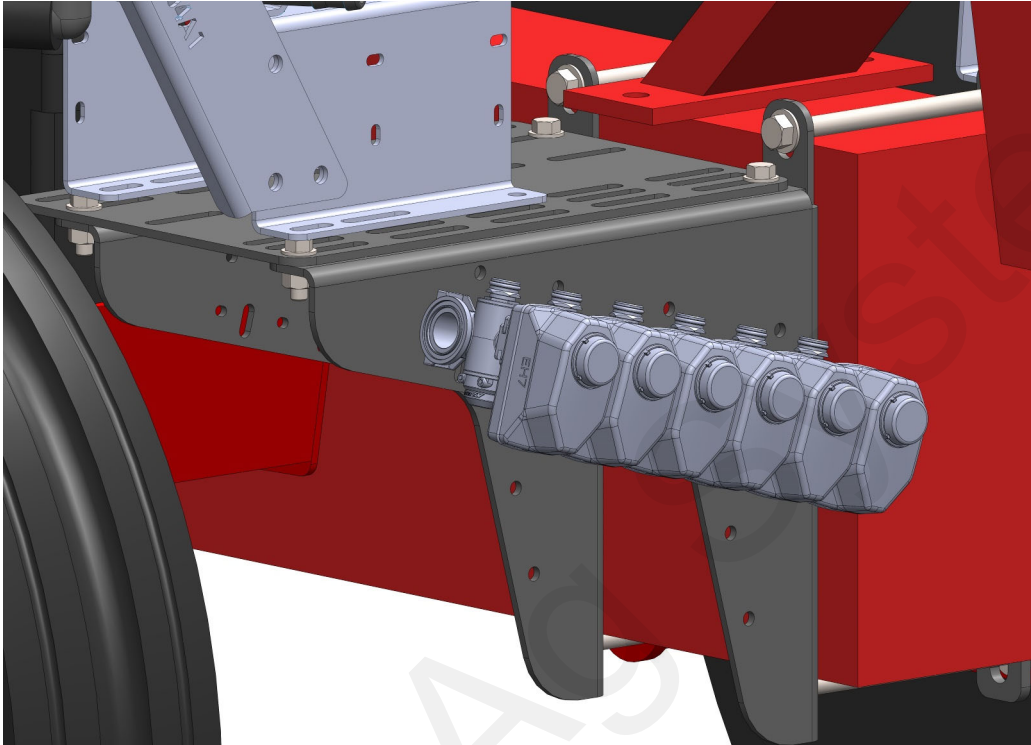


1. Mount universal fill kit bracket, part number 400-2605Y1 (sold separately), to the front or rear pump mounting bracket holes using two (2) 3/8" x 3/4" hex head bolts and flange nuts as shown.
2. Use two (2) 5/16" x 5-1/2" hex head bolts, flat washers and flange nuts to mount 2" strainer to fill kit bracket.

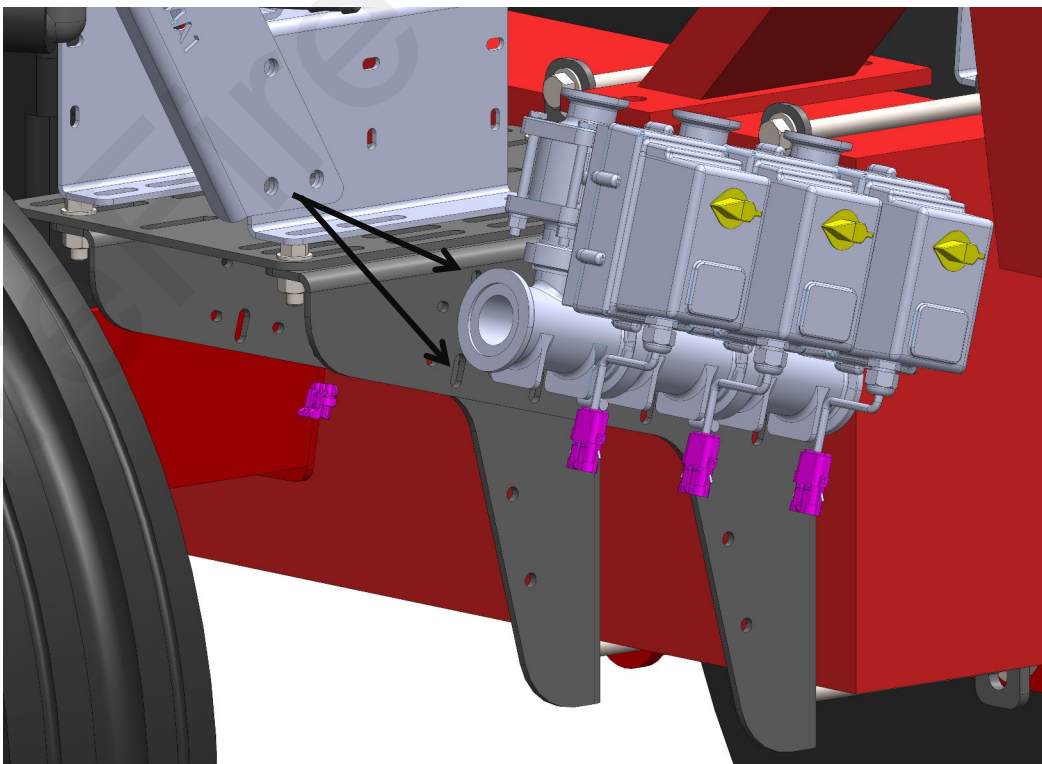


# Electric Section Valve Mounting

Up to six (6) KZ TX2 Section Valves may be mounted to the side of the pump support bracket using the smaller bolt holes in the center as illustrated below.



Up to three (3) Banjo Section Valves may be u-bolted to the side of the pump support bracket using the larger bolt hole and slotted hole in the center as illustrated below.



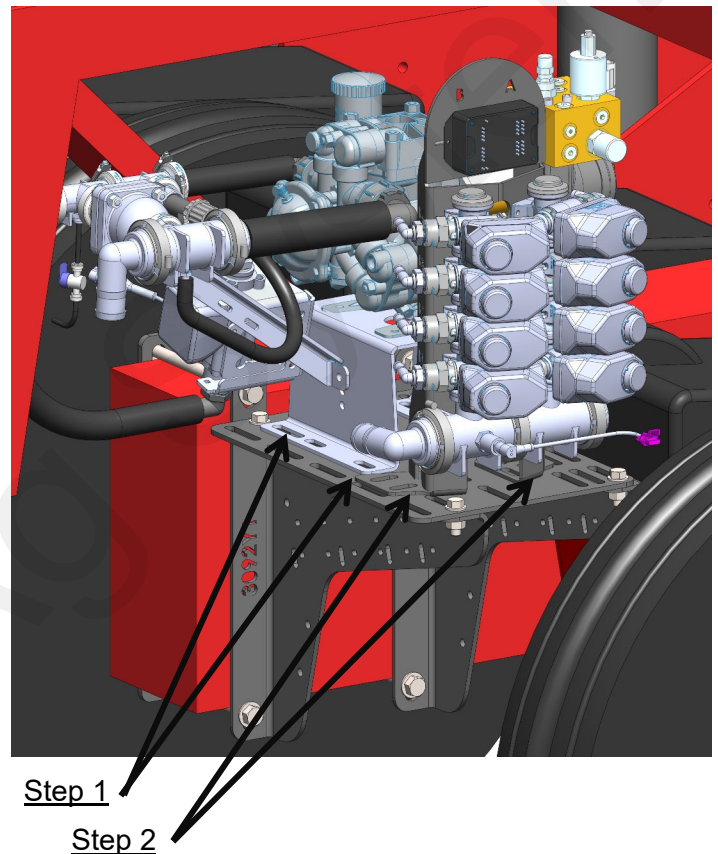
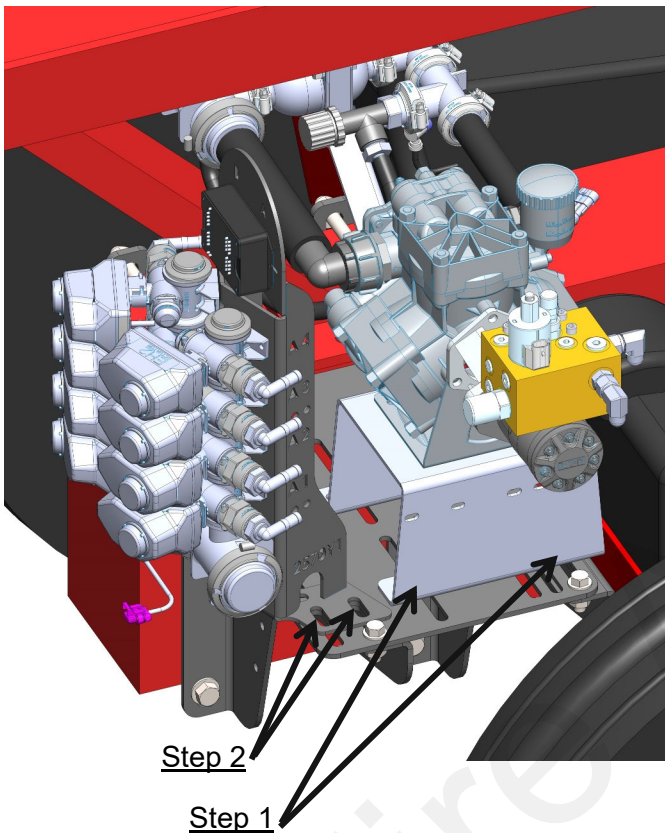




# LiquiShift® Valve Stack Mounting

400-1314A2-BK (Top Plate) is designed with an extra row of holes to mount SureFire LiquiShift® System together with a PumpRight System. The recommended installation is for the LiquiShift® Valve stack facing rearward, PumpRight will need to be installed with plumbing to the side as illustrated.

*Note: Case 1250 with centered catwalk ladder is shown. For newer style 1255 models, this ladder is offset, giving more flexibility for plumbing arrangements.*



## Rear Facing LiquiShift(Recommended):

1. Mount the PumpRight first, using four (4) 1/2" x 1-1/2" hex head bolts and flange nuts in the 1st and 4th row of holes.
2. Use the rear two rows of holes and four (4) 1/2" x 1-1/2" hex head bolts and flange nuts, attach LiquiShift® Valve Stack behind the pump with the valve indicators facing the rear.
3. Check for clearance with row unit and tire when lowering implement and tighten all bolts.

## Side Facing LiquiShift:

1. Mount the PumpRight first, using four (4) 1/2" x 1-1/2" hex head bolts and flange nuts in the 3rd and 5th row of holes. Plumbing may face the front or rear of the planter in this case.
2. Using the same two rows of holes, and four (4) 1/2" x 1-1/2" hex head bolts and flange nuts, attach the LiquiShift® Valve Stack to the end of the top plate as shown. Be sure to check clearance of LiquiShift® Valves with the tire when the implement is lowered.
3. Check for clearance with row unit and tire when lowering implement and tighten all bolts.