



396-2984Y1

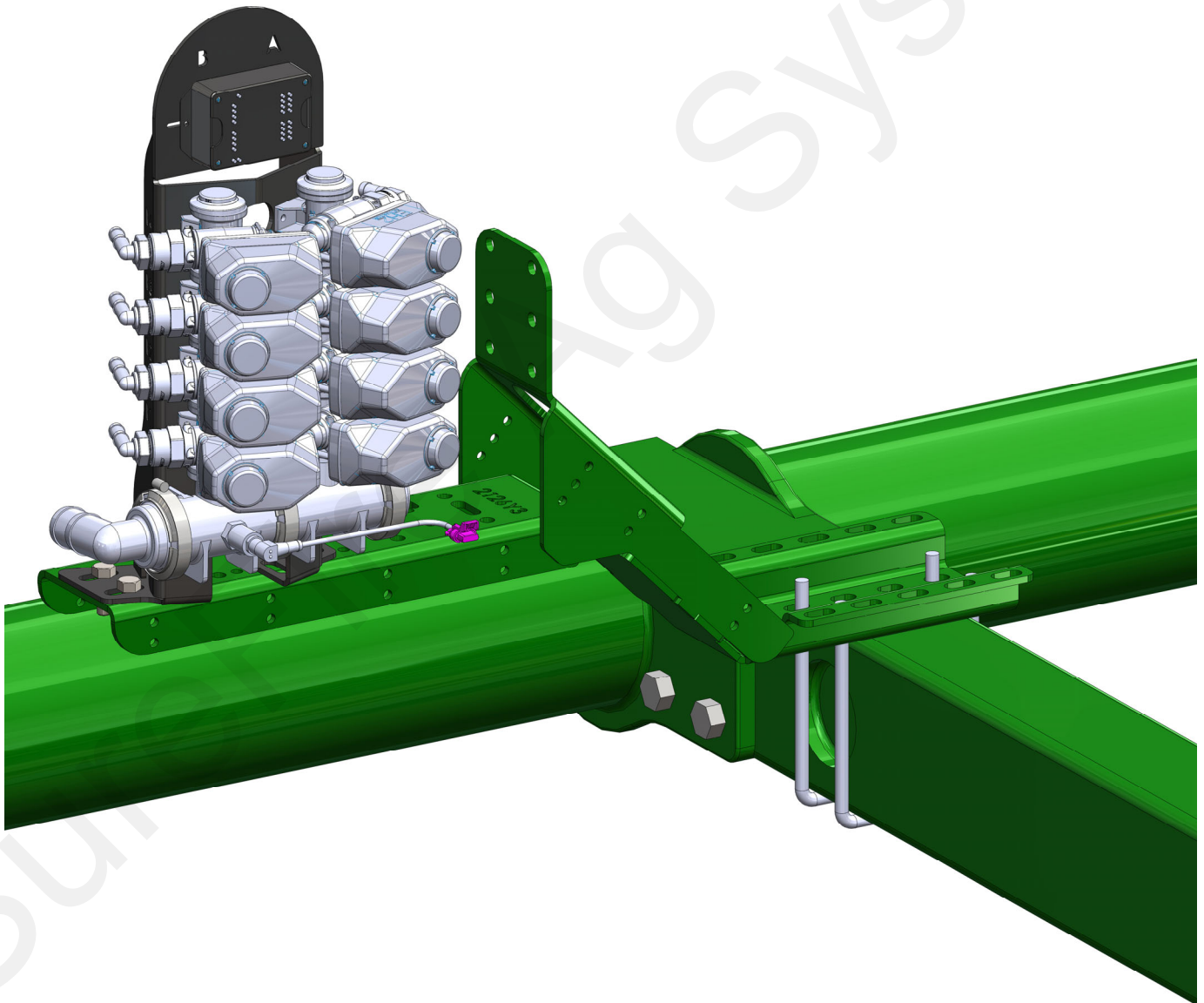
John Deere 1720/1725 CCS LiquiShift® or Section Valve Mounting Instructions

Planter Manufacturer:



JOHN DEERE

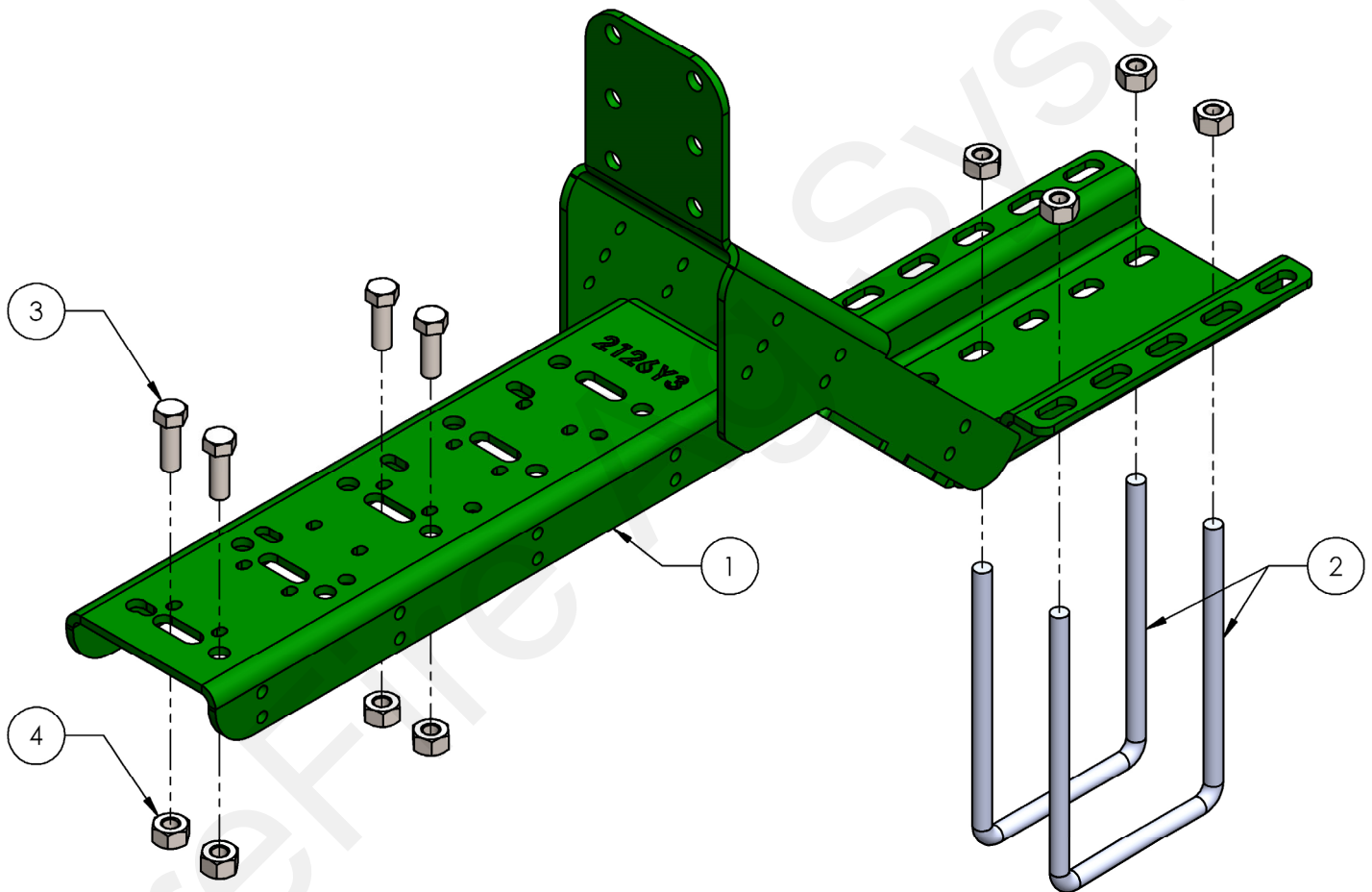
Kit Number: 515-03-200950





Parts List and Exploded View

| ITEM NO. | PART NUMBER | DESCRIPTION | QTY. |
|----------|---------------|---|------|
| 1 | 400-2126Y3-GN | John Deere 1720/1725 Rear Extension | 1 |
| 2 | 300-080108-5 | 1/2" x 1-1/2" Hex Head Bolt—G5 | 4 |
| 3 | 323-08 | 1/2" Flange Nut | 4 |
| 4 | 380-1014 | 1/2" x 5" x 8-1/2" Square Bend U-Bolt Kit | 2 |

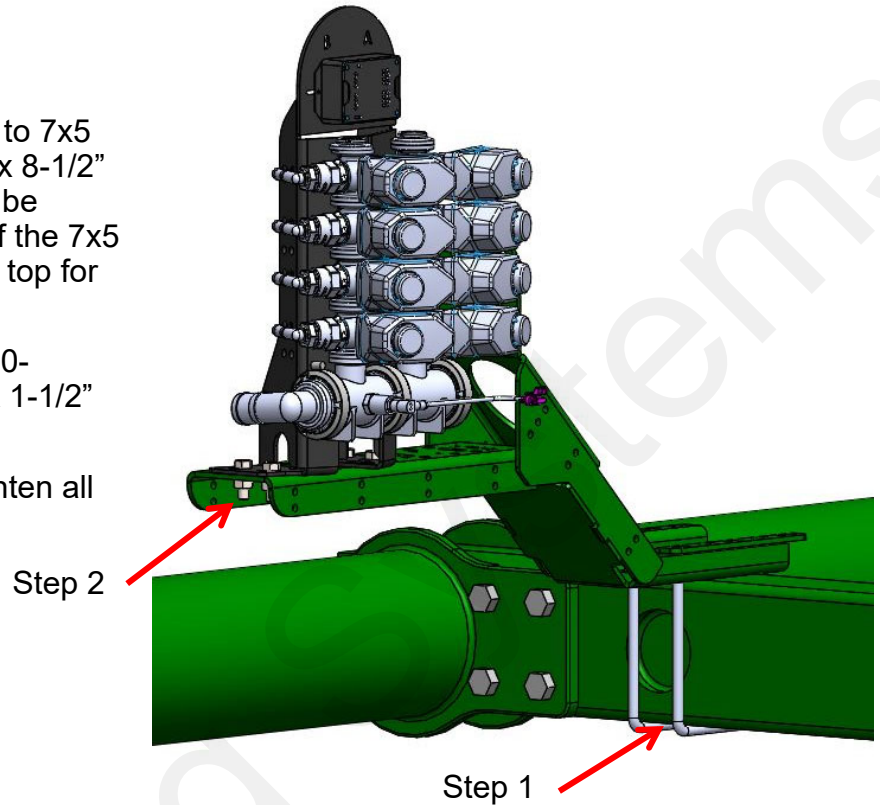




Step by Step Instructions

LiquiShift® Valve Stack

1. Loosely mount 400-2126Y3 bracket to 7x5 center planter frame using 1/2" x 5" x 8-1/2" U-bolts. The bracket is designed to be installed on the top or bottom side of the 7x5 frame, recommended location is the top for increased visibility.
2. Mount LiquiShift® Valve Stack to 400-2126Y3 bracket using four (4) 1/2" x 1-1/2" hex head bolts.
3. Check for clearance and wrench tighten all bolts and u-bolts.



Section Valve Installation

1. Loosely mount 400-2126Y3 bracket to 7x5 center planter frame using 1/2" x 5" x 8-1/2" U-bolts. The bracket is designed to be installed on the top or bottom side of the 7x5 frame, recommended location is the top for increased visibility.
2. Section valves (maximum of 4 Banjo or 6 KZ, ordered separately) can be mounted on this bracket. The section valves will mount as shown.
3. Check for clearance and wrench tighten all bolts and u-bolts.

