



396-2917Y1

2" Poly Mixing Chamber Installation Instructions



Kit Number: 520-00-145150

Kit Description: 2" Mixing chamber with 1" HB Inlets and 1" HB Outlet



Kit Number: 520-00-145155

Kit Description: 2" Mixing Chamber with 1" & 1-1/2" HB Inlet and 1-1/2" HB Outlet



Kit Number: 520-00-145160

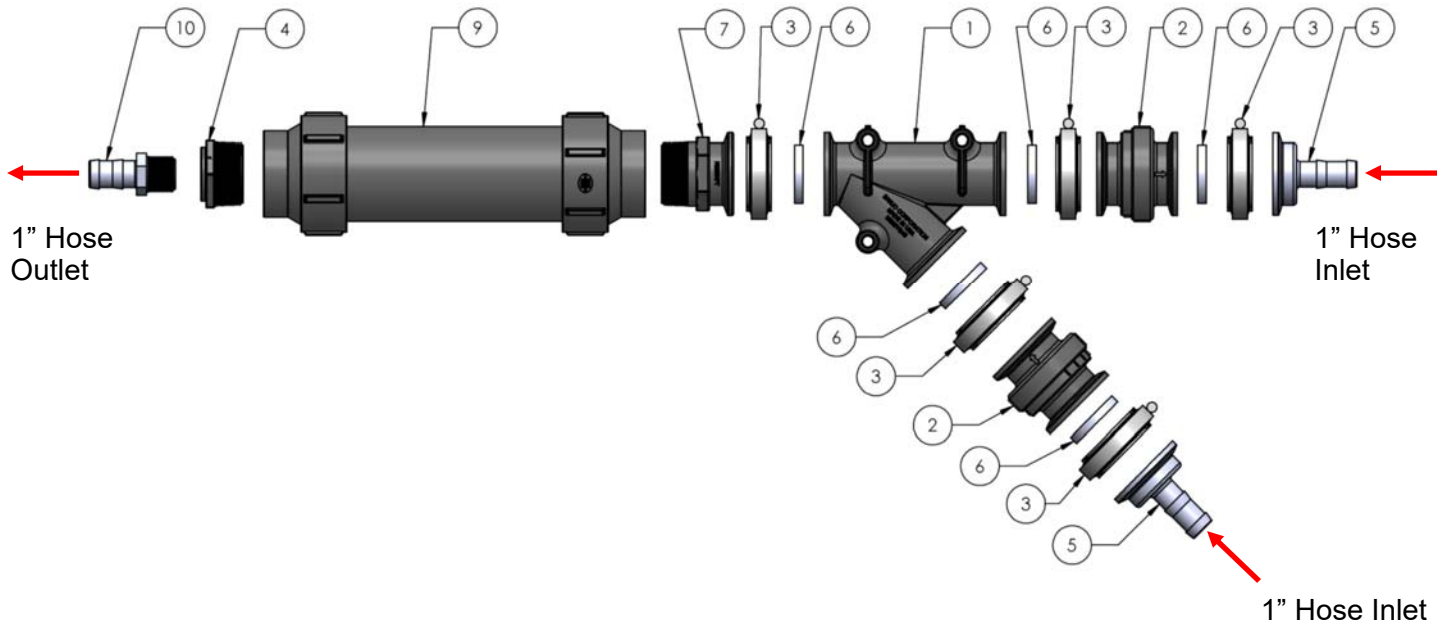
Kit Description: 2" Mixing Chamber with 1-1/2" HB & 3/8" QC Inlets and 1-1/2" HB Outlet



Parts List and Exploded View

Kit: 520-00-145150

| ITEM NO. | PART NUMBER | DESCRIPTION | QTY. |
|----------|---------------|------------------------------------|------|
| 1 | 105-200YG45 | 2" Manifold Y with 3/4" gauge port | 1 |
| 2 | 136-MCV200 | 2" Poly Flanged Check Valve | 2 |
| 3 | 105-FC200 | 2" Manifold Clamp | 5 |
| 4 | 100-200100RB | 2" MPT x 1" FPT Reducer Bushing | 1 |
| 5 | 105-200100BRB | 2" Flange x 1" Hose Barb | 2 |
| 6 | 105-150G | 1 1/2" EPDM Gasket | 5 |
| 7 | 105-200MPT | 2" Manifold x 2" MPT | 1 |
| 8 | 100-075PLUG | 3/4" Pipe Plug | 1 |
| 9 | 716-01-100150 | Poly 2" Mixing Chamber | 1 |
| 10 | 101-100100 | 1" MPT x 1" HB | 1 |



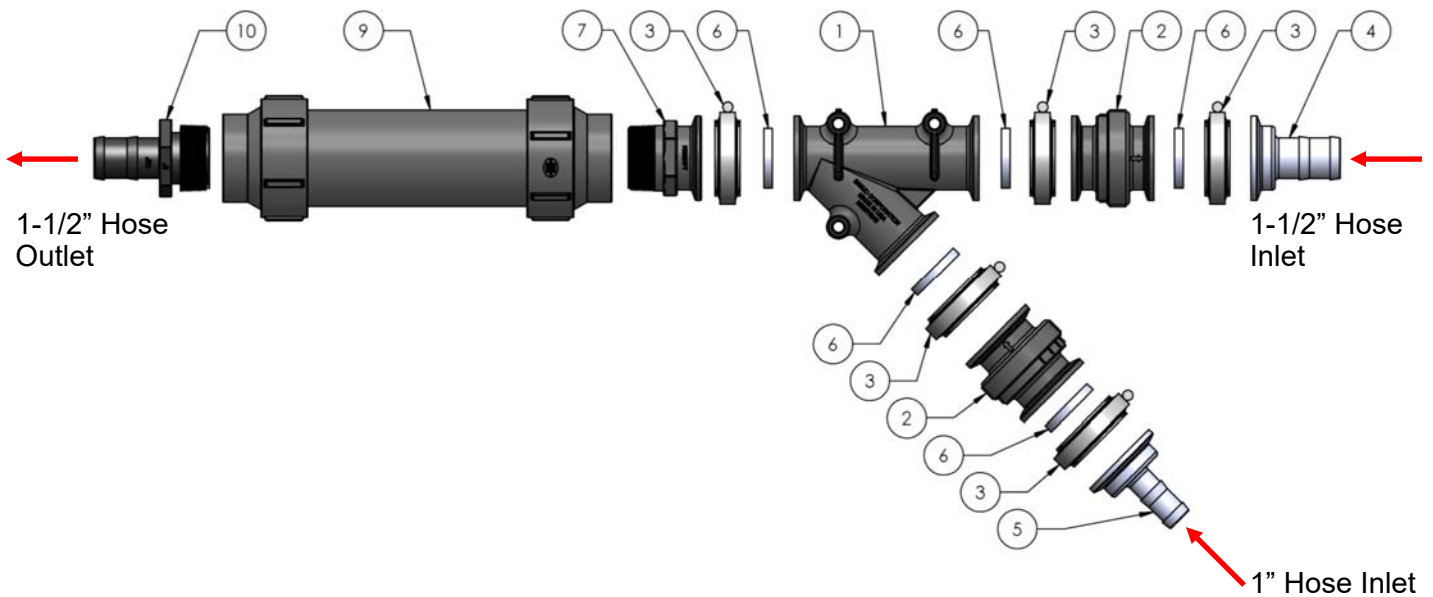
General Instructions:

1. Assemble Mixing Chamber fittings as shown.
2. Connect hose coming from each pump (after the flowmeter) to inlet hose barbs.
3. Connect hose from system (Section Valves, LiquiShift, Flow Indicators, etc.) to outlet hose barb.



Parts List and Exploded View Kit: 520-00-145155

| ITEM NO. | PART NUMBER | DESCRIPTION | QTY. |
|----------|---------------|------------------------------------|------|
| 1 | 105-200YG45 | 2" Manifold Y with 3/4" gauge port | 1 |
| 2 | 136-MCV200 | 2" Poly Flanged Check Valve | 2 |
| 3 | 105-FC200 | 2" Manifold Clamp | 5 |
| 4 | 105-200150BRB | 2" Manifold X 1-1/2" Barb | 1 |
| 5 | 105-200100BRB | 2" Flange x 1" Hose Barb | 1 |
| 6 | 105-150G | 1 1/2" EPDM Gasket | 5 |
| 7 | 105-200MPT | 2" Manifold x 2" MPT | 1 |
| 8 | 100-075PLUG | 3/4" Pipe Plug | 1 |
| 9 | 716-01-100150 | Poly 2" Mixing Chamber | 1 |
| 10 | 101-200150 | 2" MPT x 1-1/2" HB | 1 |



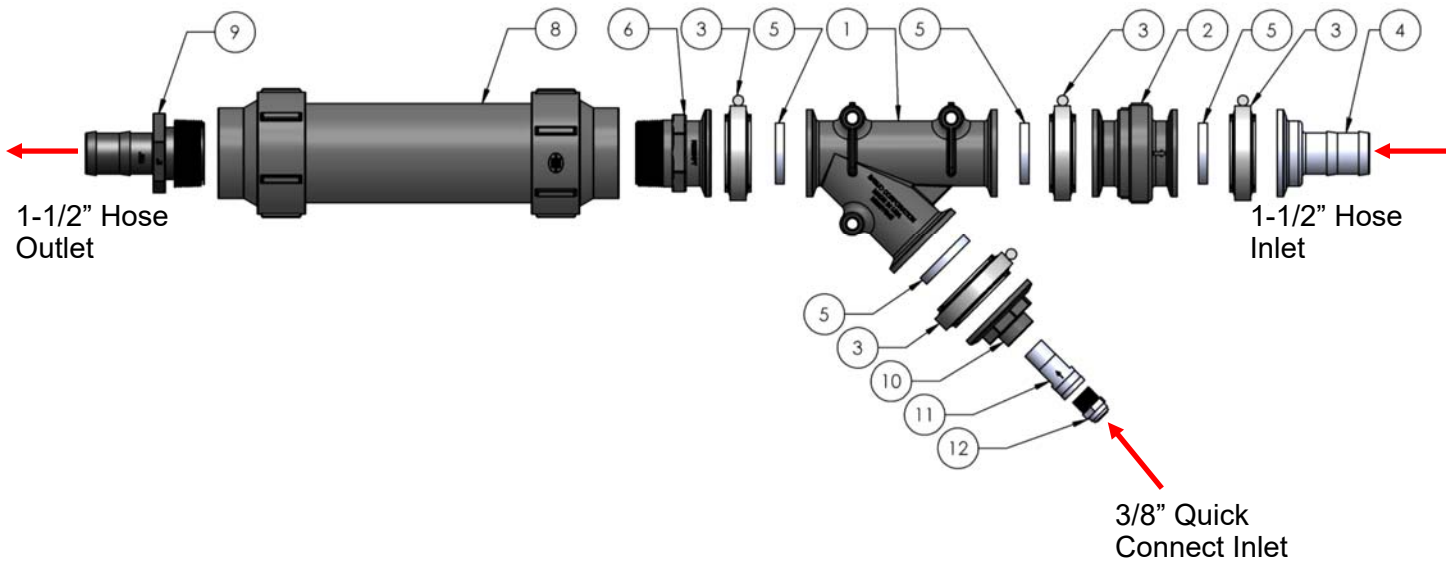
General Instructions:

1. Assemble Mixing Chamber fittings as shown.
2. Connect hose coming from each pump (after the flowmeter) to inlet hose barbs.
3. Connect hose from system (Section Valves, LiquiShift, Flow Indicators, etc.) to outlet hose barb.



Parts List and Exploded View Kit: 520-00-145160

| ITEM NO. | PART NUMBER | DESCRIPTION | QTY. |
|----------|------------------|------------------------------------|------|
| 1 | 105-200YG45 | 2" Manifold Y with 3/4" gauge port | 1 |
| 2 | 136-MCV200 | 2" Poly Flanged Check Valve | 1 |
| 3 | 105-FC200 | 2" Manifold Clamp | 4 |
| 4 | 105-200150BRB | 2" Manifold X 1-1/2" Barb | 1 |
| 5 | 105-150G | 1 1/2" EPDM Gasket | 4 |
| 6 | 105-200MPT | 2" Manifold x 2" MPT | 1 |
| 7 | 100-075PLUG | 3/4" Pipe Plug | 1 |
| 8 | 716-01-100150 | Poly 2" Mixing Chamber | 1 |
| 9 | 101-200150 | 2" MPT x 1-1/2" HB | 1 |
| 10 | 105-200PLG050 | 2" Manifold Plug x 1/2" FPT | 1 |
| 11 | 716-333-0011-102 | 1/2" SS Check Valve—12PSI | 1 |
| 12 | 113-06-038050 | QC to MPT - 3/8" QC x 1/2" MPT | 1 |



General Instructions:

1. Assemble Mixing Chamber fittings as shown.
2. Connect hose coming from each pump (after the flowmeter) to inlet hose barbs or quick connect fitting.
3. Connect hose from system (Section Valves, LiquiShift® , Flow Indicators, etc.) to outlet hose barb.