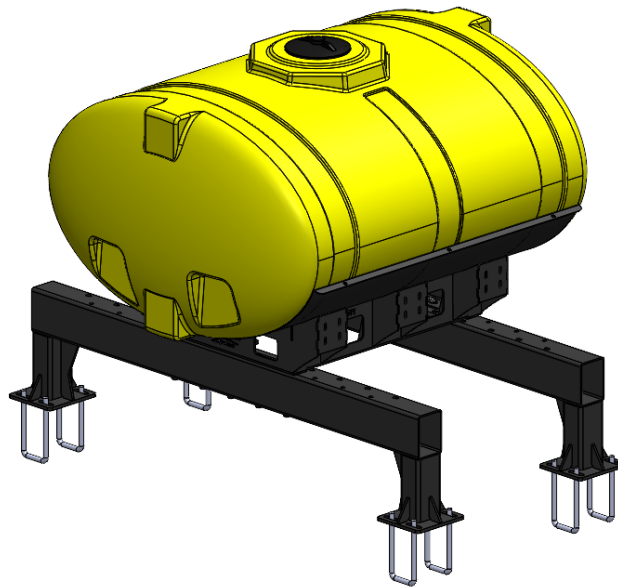




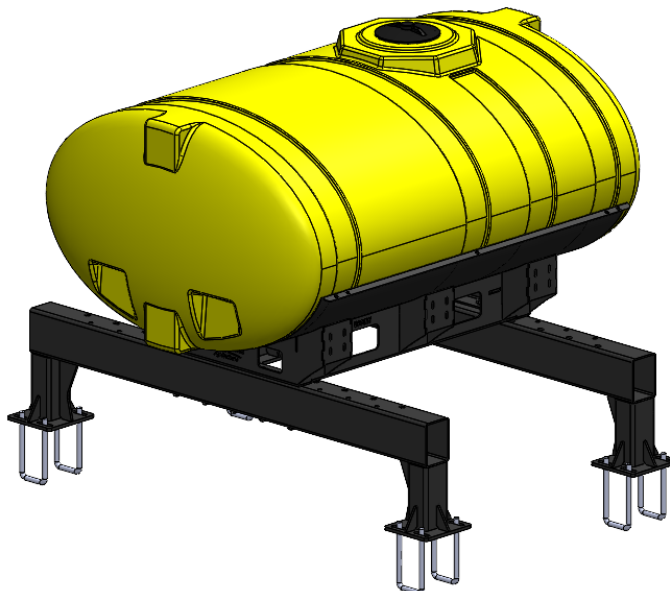
396-2894Y1

**John Deere 2410C
15' Main Frame/40'-0" or 42'-3"
12" Row Spacing
400 & 500 Gallon Elliptical Tank
Mounting Instructions**

Kit Number: 528-01-455150 (400 Gallon Tank)



Kit Number: 528-01-455160 (500 Gallon Tank)





SurePoint Ag Systems Fertilizer Tank Safety and Warnings



SurePoint Ag Systems does not recommend transporting your implement with full fertilizer tanks. Doing so can result in damage to brackets and implement.



Remember to wear proper PPE (*Personal Protective Equipment*) when installing SurePoint Ag Systems fertilizer tank kits. Proper PPE includes gloves, foot and eye protection, and hearing protection.



SurePoint Ag Systems fertilizer application systems require winterization when not in use. Refer to your product manual for winterization procedures.

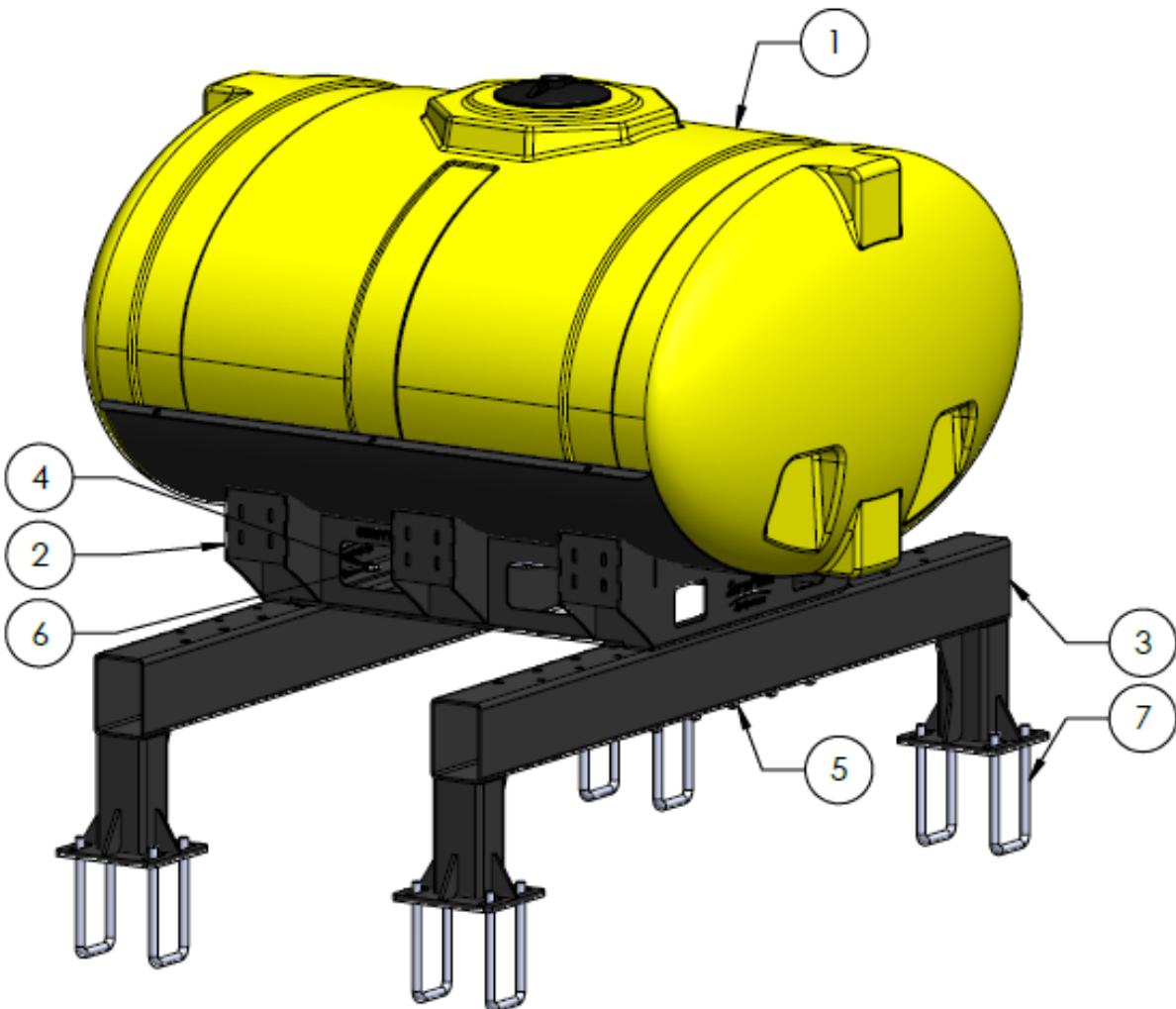
Failure to follow the above warnings can result in personal injury, damage to your SurePoint Ag Systems products, and damage to your implement.



Parts List and Exploded View

Kit Number: 528-01-455150 (400 Gallon Tank)

ITEM NO.	PART NUMBER	DESCRIPTION	QTY.
1	727-01-HE0400-57-Y	Elliptical Tank - 400 Gal - Yellow	1
2	421-6516Y1	400 Gallon Elliptical Cradle (New Design)	1
3	420-2835Y1	JD 2410C - 400/500 Gal Tank Stand	2
4	300-100800-5	5/8" x 8" Hex Head Bolt - G5	10
5	323-10	5/8" Flange Nut	10
6	330-10	5/8" Flat Washer	10
7	380-1072	3/4" U-Bolt Kit - fits 4" x 8-1/2" tube (4" opening)	8
8	525-3000	Tank Strap Kit, 3" Wide, 400-750 Gal	2
9	521-00-100285	Tank Overflow Assembly Bag for 400-750 Gal Tanks	1
10	280-100-AG200	1" AG200 Bulk	10'

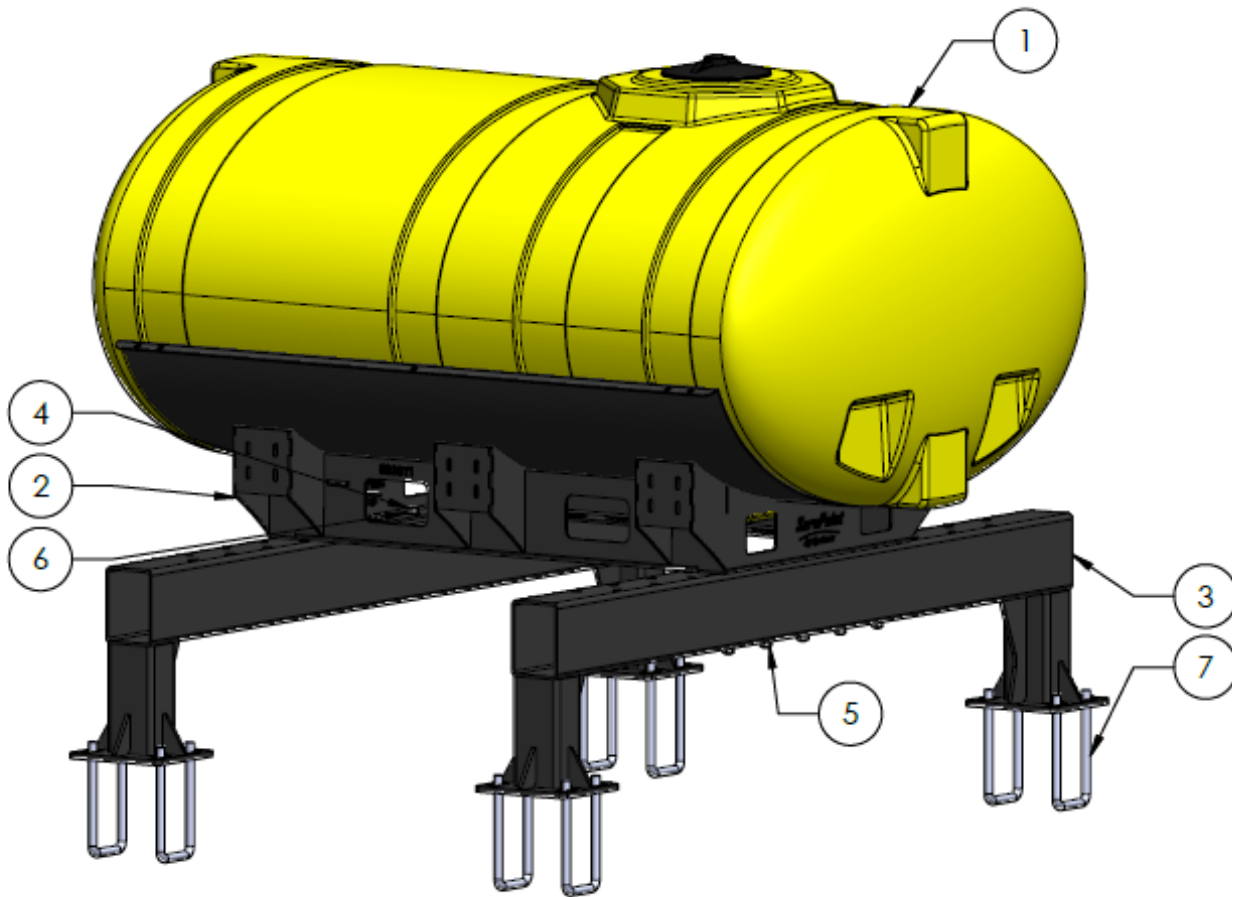




Parts List and Exploded View

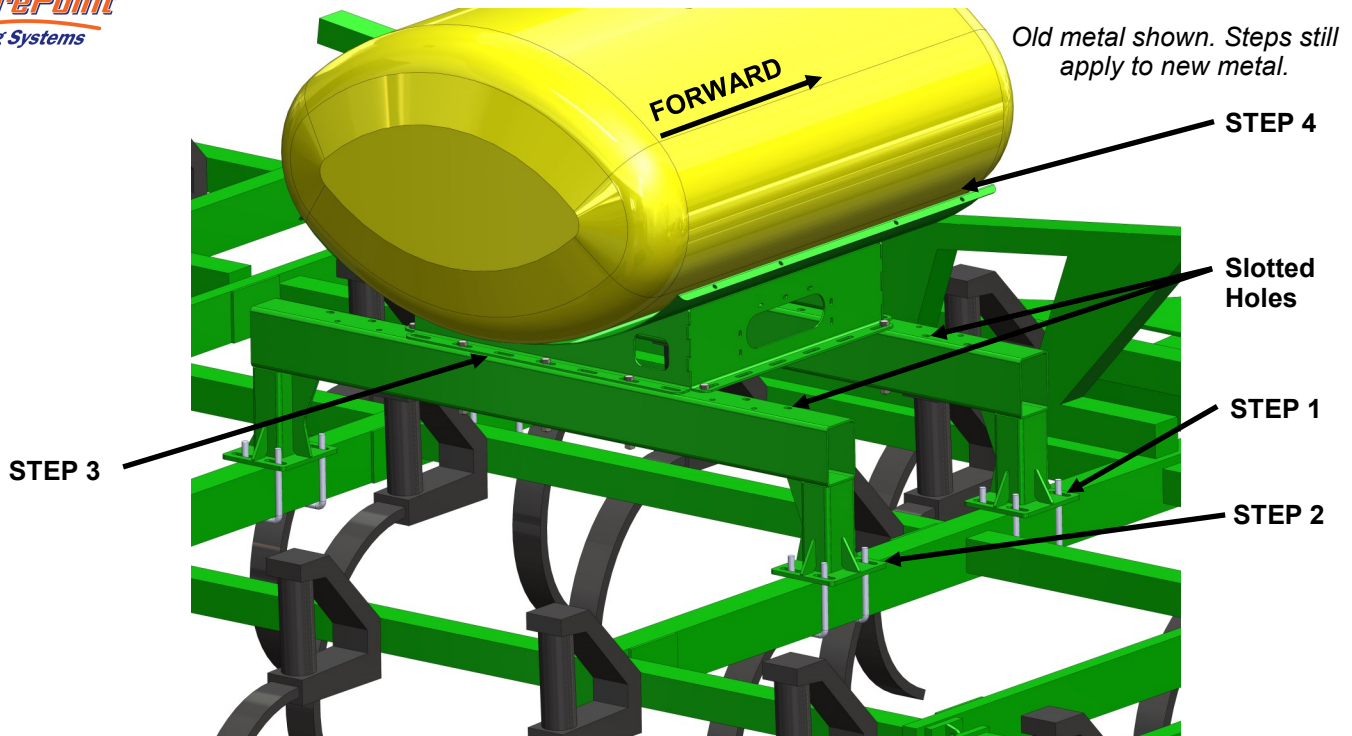
Kit Number: 528-01-455160 (500 Gallon Tank)

ITEM NO.	PART NUMBER	DESCRIPTION	QTY.
1	727-01-HE0500-OS-Y	Elliptical Tank - 500 Gallon Yellow - Offset Sump	1
2	421-5638Y1	500 Gallon Elliptical Cradle (New Design)	1
3	420-2835Y1	JD 2410C - 400/500 Gal Tank Stand	2
4	300-100800-5	5/8" x 8" Hex Head Bolt - G5	10
5	323-10	5/8" Flange Nut	10
6	330-10	5/8" Flat Washer	10
7	380-1072	3/4" U-Bolt Kit - fits 4" x 8-1/2" tube (4" opening)	8
8	525-3000	3" Tank Strap Kit for 400 - 1000 gal tank (one strap per kit)	2
9	521-00-100285	Tank Overflow Assembly Bag for 400—750 Gal Tanks	1
10	280-100-AG200	1" AG200 Bulk	10'



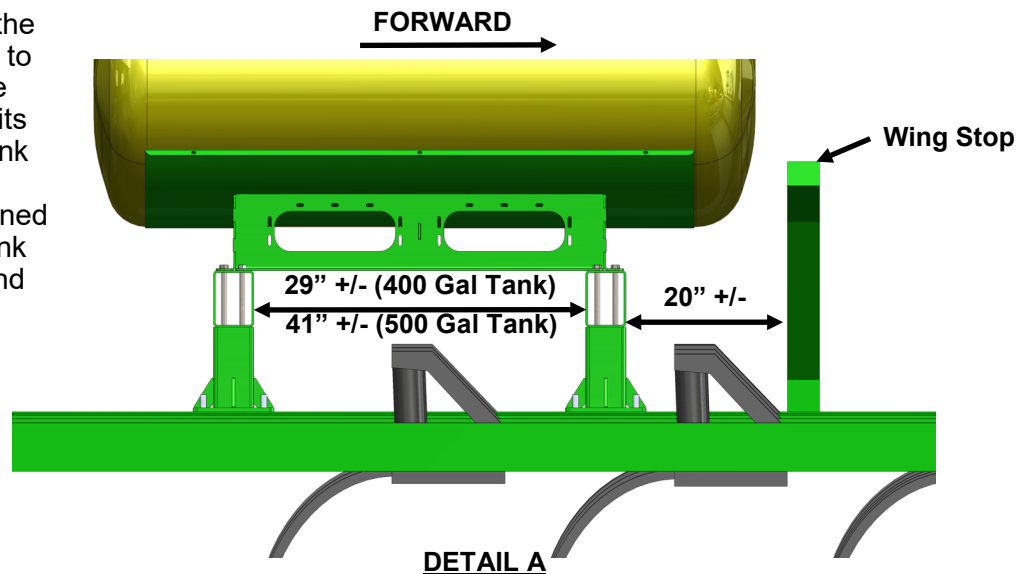


Step by Step Instructions



1. Mount the Front Tank Stand (420-2835Y1) with the supplied Square Bend U-bolts (380-1072) as shown in picture above. Refer to 'Detail A' below for approximate locations of where Tank Stand needs to be mounted per specific Tank Kit. **Make sure the slotted holes on the top of the Tank Stand are toward the Rear of the Implement.** Do not fully tighten U-bolts to allow for adjustment in Step 3.
2. Mount the Rear Tank Stand (420-2835Y1) with the supplied Square Bend U-bolts (380-1072) as shown in picture above. Refer to 'Detail A' below for approximate locations of where Tank Stand needs to be mounted per specific Tank Kit. **Make sure the slotted holes on the top of the Tank Stand are toward the Front of the Implement.** Do not fully tighten U-bolts to allow for adjustment in Step 3.
3. Mount the Tank Cradle 421-6516Y1 (400 Gallon) or the 421-5638Y1 (500 Gallon) to the Tank Stands as shown in picture above with the provided 5/8" Bolts (300-100108-5) and Flange Nuts (323-10). Fully tighten all Nuts and U-bolts.

4. Insert the tank into the Cradle and fasten it to the Cradle using the provided 3" Strap Kits (525-3000). The Tank Straps will possibly need to be re-tightened after re-filling the tank due to expansion and contraction.



DETAIL A