



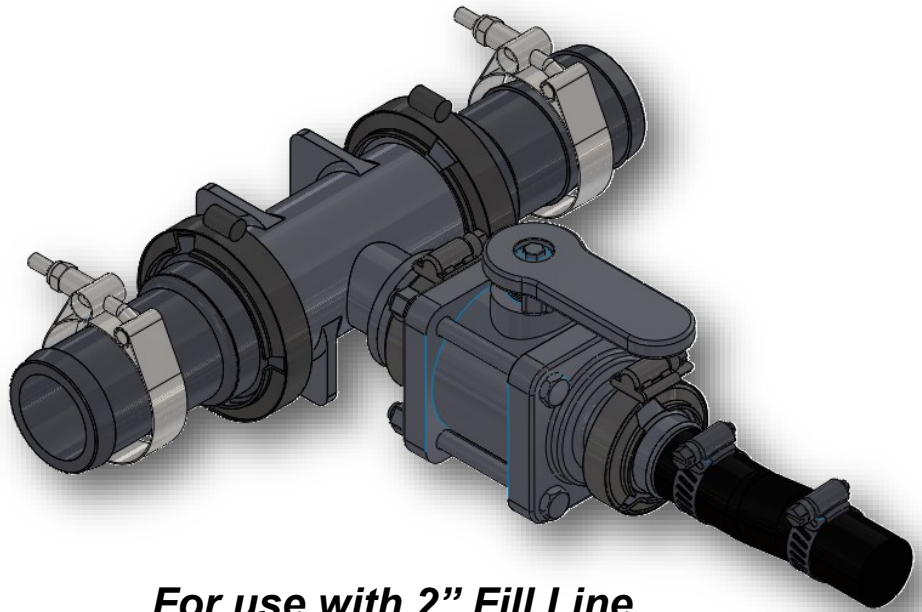
396-2887Y1

Plumbing Discharge Kit Installation Instructions

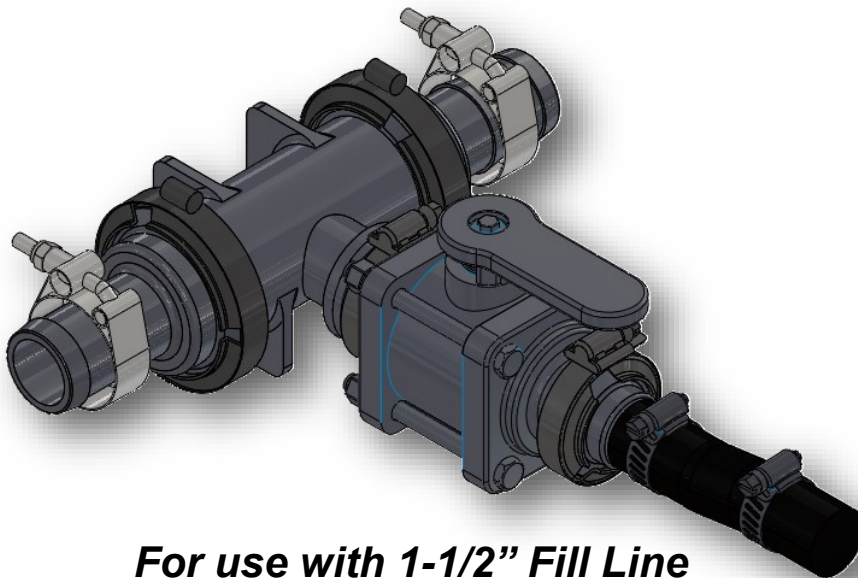
Kit Number: 520-00-103500

Kit Description:

2" or 1-1/2" Fill Line to 3/4" Tie In Kit for Tower



For use with 2" Fill Line

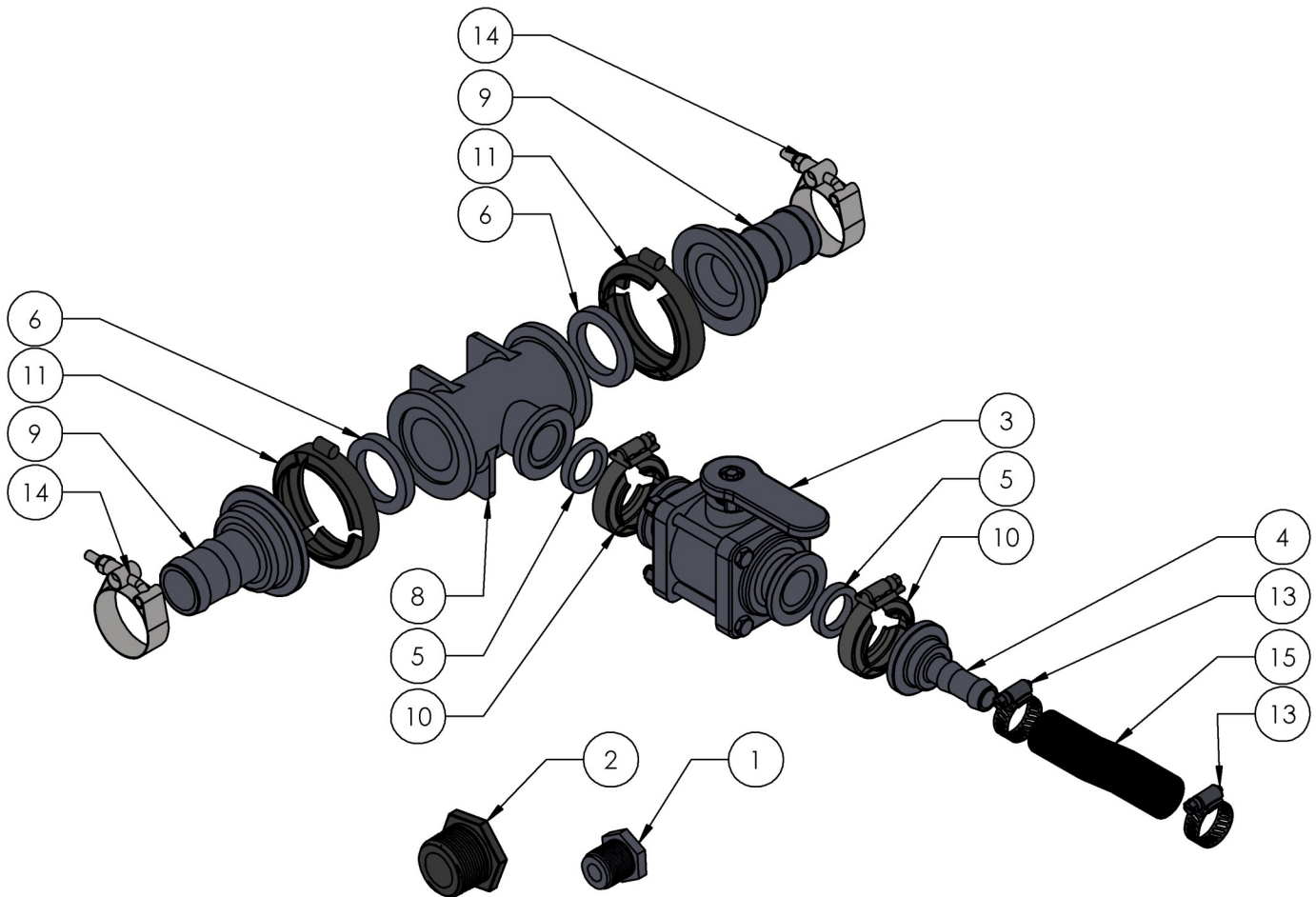


For use with 1-1/2" Fill Line



Parts List and Exploded View

| ITEM NO. | PART NUMBER | DESCRIPTION | QTY. |
|----------|-----------------|--|------|
| 1 | 100-075PLUG | 3/4" Pipe Plug | 1 |
| 2 | 100-125PLUG | 1-1/4" Pipe Plug | 1 |
| 3 | 102-100MVCF | 1" Manifold Standard Port Poly Valve | 1 |
| 4 | 105-100075BRB | 1" Manifold x 3/4" HB | 1 |
| 5 | 105-100G | 1" EPDM Manifold Gasket | 2 |
| 6 | 105-150G | 1 1/2" EPDM Gasket | 2 |
| 7 | 105-200BRB | 2" Manifold x 2" HB | 2 |
| 8 | 105-200100TEE | 2" Manifold x 1" Manifold Tee | 1 |
| 9 | 105-200150BRB | 2" Manifold X 1-1/2" HB | 2 |
| 10 | 105-FC100 | 1" Manifold Clamp | 2 |
| 11 | 105-FC200 | 2" Manifold Clamp | 2 |
| 12 | 350-TC231 | T-Bolt Hose Clamp - 2.31 - 2.62" Diameter | 2 |
| 13 | 350-1208 | SS Hose Clamp - Size 12 - 1-1/4" Diameter | 2 |
| 14 | 350-TC181 | T-Bolt Hose Clamp - 1.81 - 2.06" Diameter | 2 |
| 15 | 280-075-AG200 | 3/4" AG200 Hose | 1 |
| 16 | 105-100075BRB90 | 1" Manifold x 3/4" HB—90 Degree (Optional) | 1 |





Step by Step Instructions

1. Assemble Discharge Kit as shown on previous page.
2. Using the correct size hose barbs for your fill kit, cut 2" or 1-1/2" fill line and insert the two hose barbs of the discharge kit into fill line. Tighten with hose clamps provided.
3. Included 3/4" and 1-1/4" plugs can be used as necessary to plug unused fill/discharge bung on tank.
4. Route provided 3/4" hose to SurePoint Ag Tower system. Tighten with hose clamps provided. *(Item 16, 90° hose barb can also be used in this location)*

NOTE: Splice into the fill line where it will be convenient to close the valve while filling the tank.

