



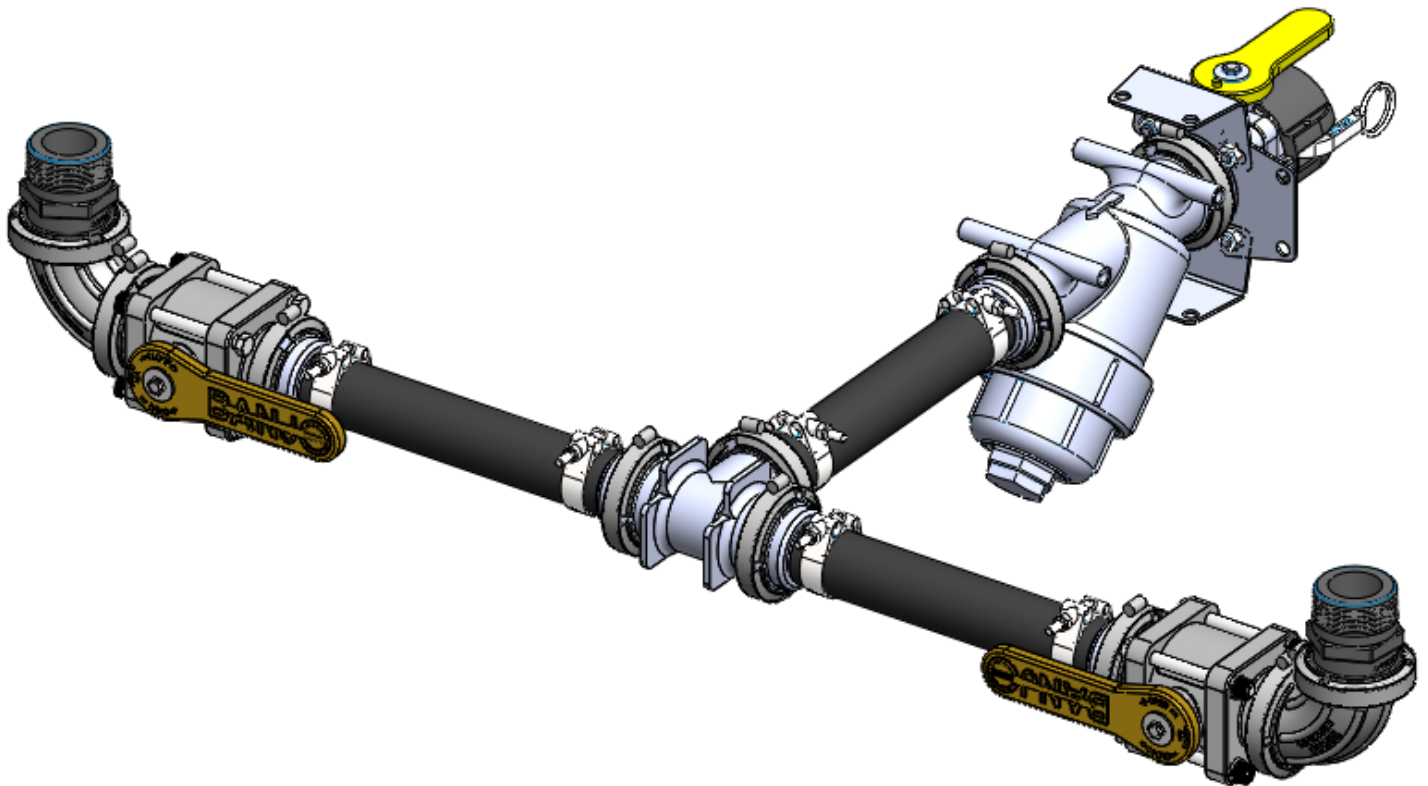
# 396-2885Y1

## Plumbing Fill Kit

### Installation Instructions

**Kit Number: 520-00-1020**

**Kit Description: 2" Flange Fill Kit for 2 tanks with 1-1/2" hose**



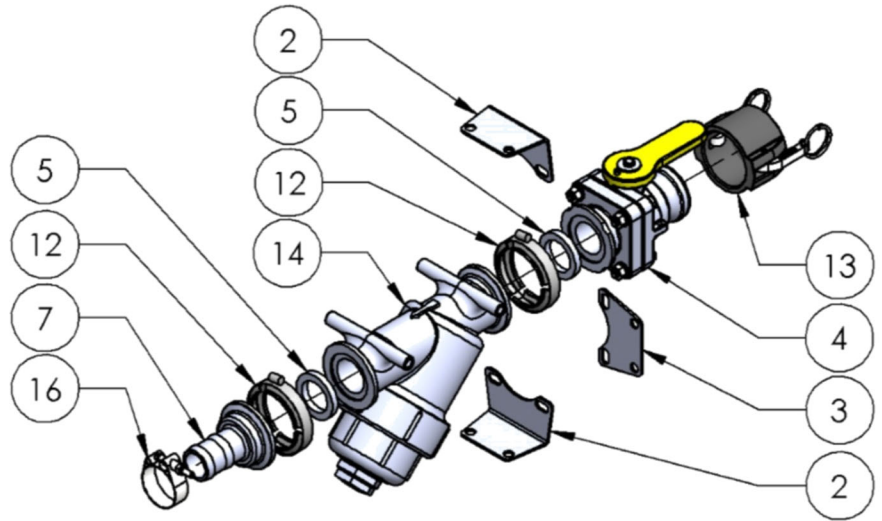


# Parts List and Exploded View

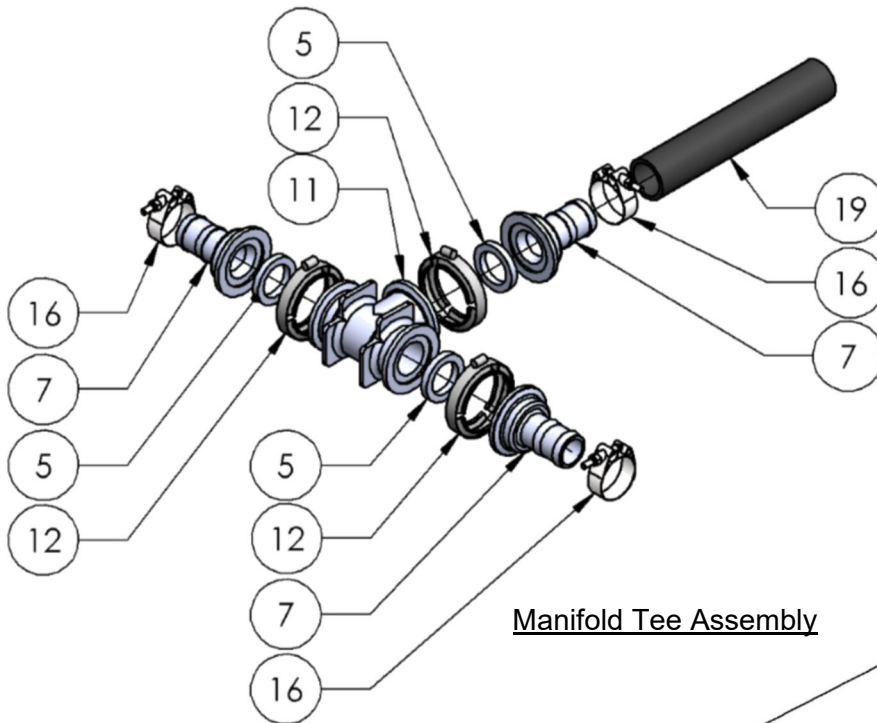
| ITEM NO. | PART NUMBER    | DESCRIPTION  | QTY. |
|----------|----------------|--|------|
| 1        | 102-200MVCF    | 2" Manifold Standard Port Poly Valve                             | 2    |
| 2        | 102-200VBR     | 2" Mounting Bracket - Straight                                   | 1    |
| 3        | 102-200VBR-90  | 2" Mounting Bracket - 90 degree                                  | 2    |
| 4        | 102-200VSFCF   | 200 Series Manifold x 2" Male Quick Coupler Std Port Valve       | 1    |
| 5        | 105-150G       | 1 1/2" EPDM Gasket   | 11   |
| 6        | 105-200125MPT  | 2" Manifold x 1-1/4" MPT   | 2    |
| 7        | 105-200150BRB  | 2" Manifold X 1-1/2" HB  | 6    |
| 8        | 105-200150MPT  | 2" Manifold x 1-1/2" MPT   | 2    |
| 9        | 105-200MPT     | 2" Manifold x 2" MPT   | 2    |
| 10       | 105-200SWP90   | 2" Manifold Sweep - 90 Degree                                    | 2    |
| 11       | 105-200TEE     | 2" Flanged Tee Fitting   | 1    |
| 12       | 105-FC200      | 2" Manifold Clamp  | 11   |
| 13       | 106-200CAP     | 2" Cap   | 1    |
| 14       | 109-200MLS-20M | 2" Manifold Y Strainer - 20Mesh w/ 5/16" bolt holes for mounting | 1    |
| 15       | 280-150-ENF    | 1-1/2" Enforcer Fertilizer Solution Hose                         | 30   |
| 16       | 350-TC181      | T-Bolt Hose Clamp - 1.81 - 2.06" Diameter                        | 6    |
| 17       | 333-0516       | 5/16" Fender Washer - 1" O.D.                                    | 6    |
| 18       | 341-120104     | Self Drilling Screw - Size 12 x 1-1/4"                           | 9    |
| 19       | 384-1095       | Hardware Kit - 3/8" Hex Cap Bolts and 3/8" Flange Nuts (Qty: 4)  | 1    |

\*Fittings included for 1-1/4" or 1-1/2" tank opening.

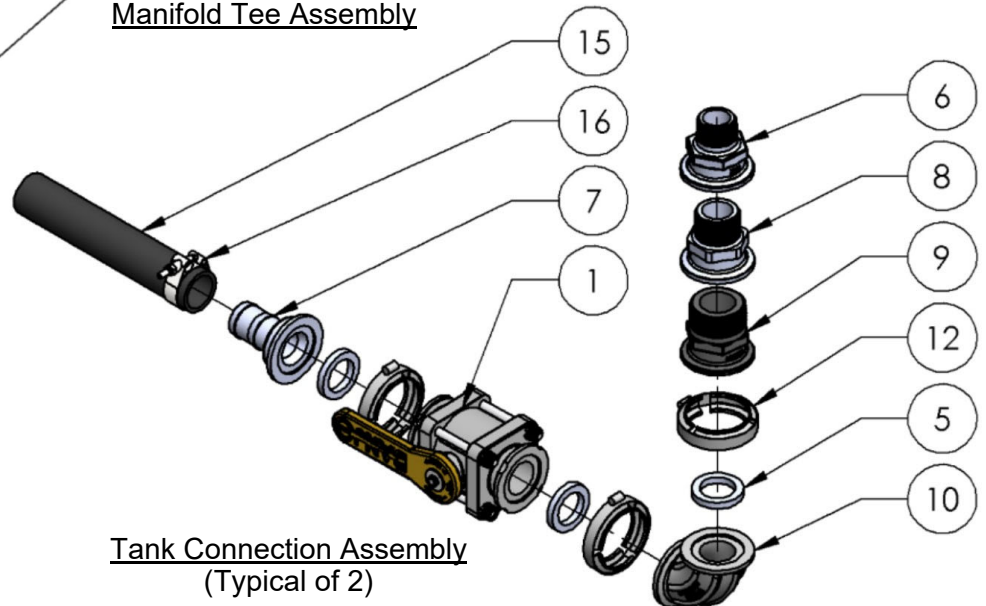
# Parts List and Exploded View



Fill Connection Assembly



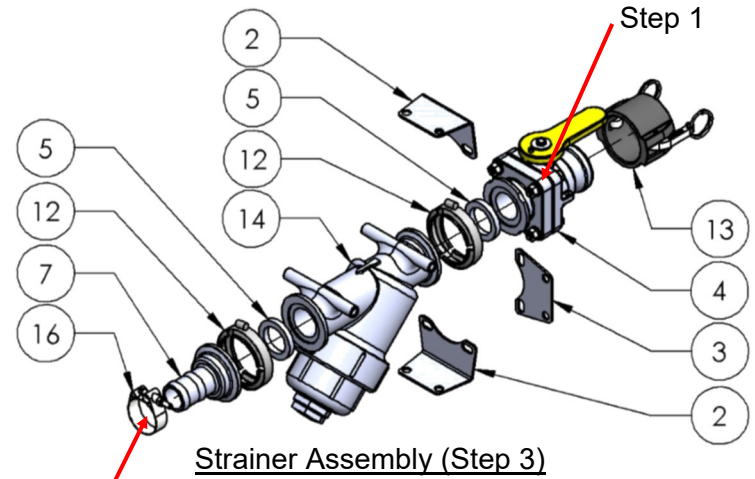
Manifold Tee Assembly



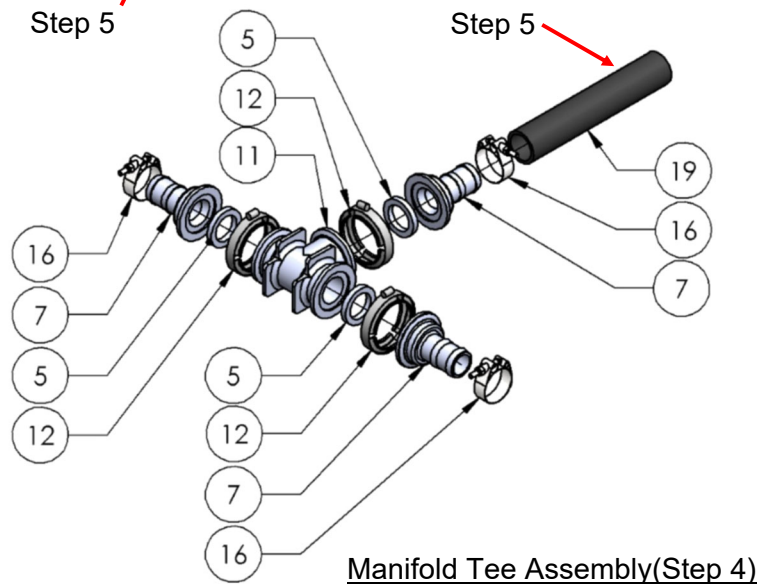
Tank Connection Assembly  
(Typical of 2)

# Step by Step Instructions

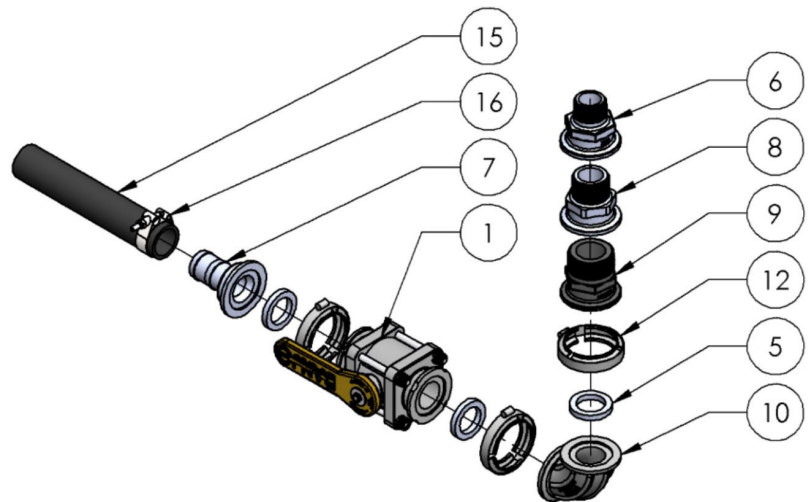
1. Remove nuts on Poly Valve (Item 4) as required to fasten mounting brackets (Item 2 or Item 3) to valve and replace nuts, tighten. *(Often, only one bracket is used to mount the fill valve. Straight and 90° bracket are shown to illustrate both options.)*
2. Using hardware kits (Items 17, 18 and 19) fasten poly valve mounting brackets to implement.
3. Continue to assemble fill kit strainer assembly as shown.



4. Assemble 2" Manifold Tee assembly as shown.
5. Route 1-1/2" hose from strainer assembly hose barb (Item 7) to Manifold Tee hose barb (Item 7) and tighten with hose clamps (Item 16).



6. Thread 2", 1-1/2" or 1-1/4" Manifold x MPT fitting into tank opening.
7. Assemble tank valve manifold fittings as shown.
8. Route 1-1/2" hose (Item 15) from manifold tee assembly hose barb (Item 7) to tank opening hose barb (Item 7) and tighten using two hose clamps (Item 16).



Tank Connection Assembly