



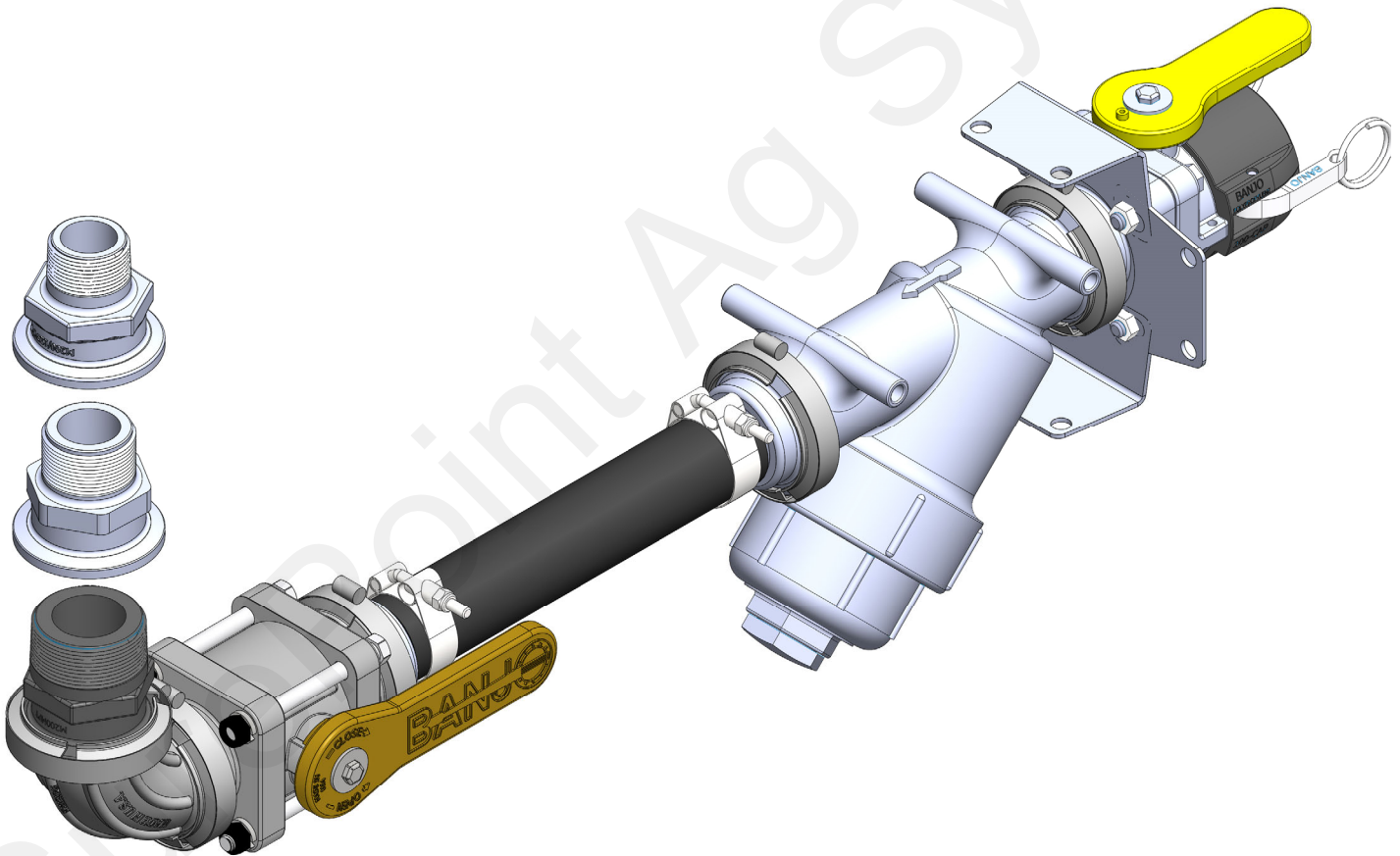
396-2881Y1

Plumbing Fill Kit

Installation Instructions

Kit Number: 520-00-1015

Kit Description: 2" Flange Fill Kit to 1-1/2" HB with 1-1/2" Hose

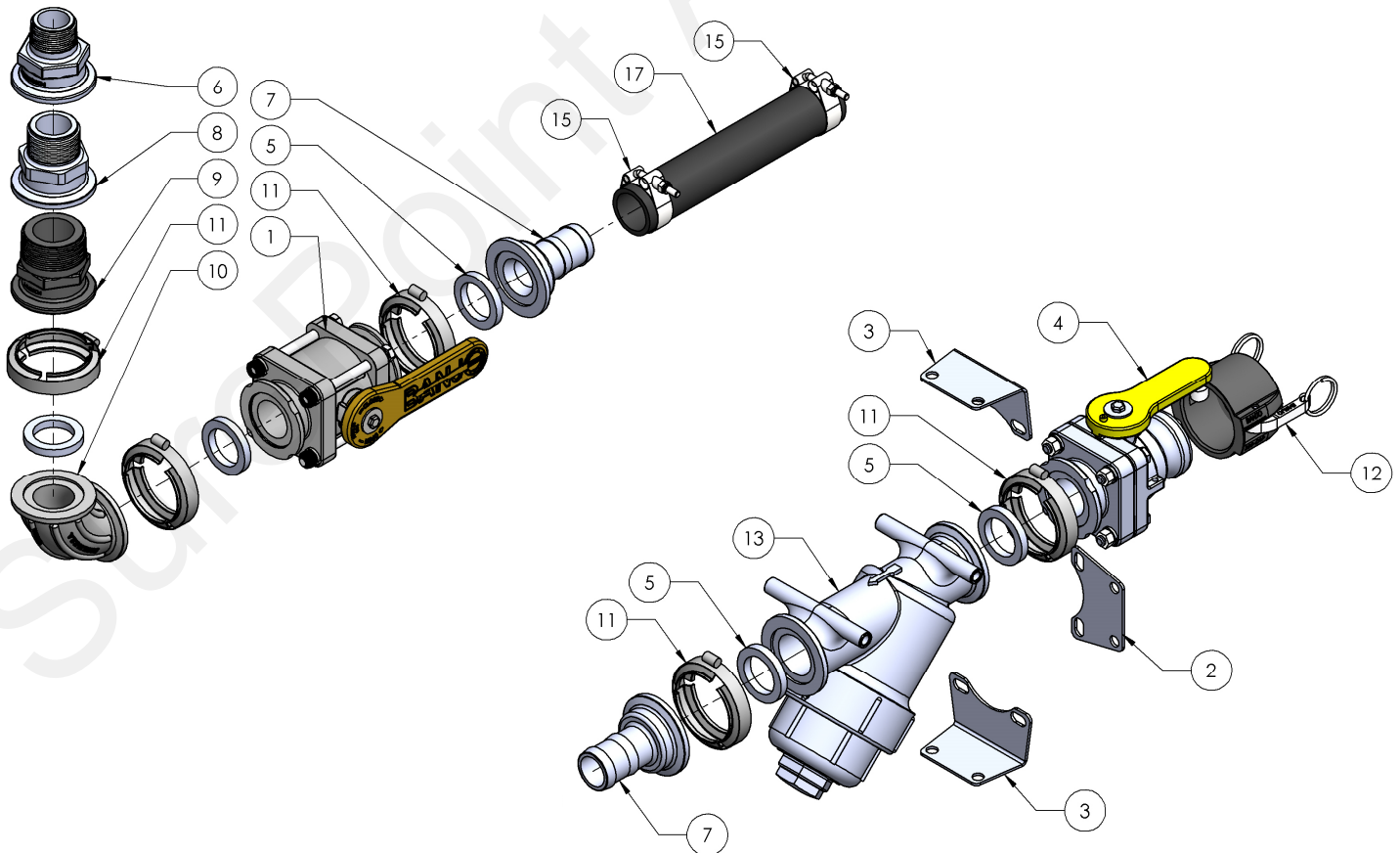




Parts List and Exploded View

ITEM NO.	PART NUMBER	DESCRIPTION	QTY.
1	102-200MVCF	2" Manifold Standard Port Poly Valve	1
2	102-200VBR	2" Mounting Bracket - Straight	1
3	102-200VBR-90	2" Mounting Bracket - 90 Degree	2
4	102-200VSFCF	200 Series Manifold x 2" Male Quick Coupler Standard Port Poly Valve	1
5	105-150G-H	1-1/2" EPDM Manifold Gasket for 200 Series Manifold Fittings	5
6	105-200125MPT	2" Manifold x 1-1/4" MPT	1
7	105-200150MPT	2" Manifold x 1-1/2" MPT	1
8	105-200MPT	2" Manifold x 2" MPT	1
9	105-200SWP90	2" Manifold Sweep—90 Degree	1
10	105-200150BRB	2" Manifold x 1-1/2" HB	1
11	105-FC200	2" Manifold Clamp	5
12	106-200CAP	2" Cap	1
13	109-200MLS-20M	2" Manifold Y Strainer - 20 Mesh w/ 5/16" bolt holes for mounting	1
14	350-TC181	Pressure Seal HD Clamp, Size 238 (fits 1 1/4" - 1 1/2" Enforcer, Wire Braided or AG200)	2
15	384-1095	Hardware Kit - 3/8" Hex Cap Bolts and 3/8" Flange Nuts (Qty: 4)	1
16	384-1004	Hardware Kit - Qty 6 Size 12 x 1-1/4" Self Drilling Screws with Qty 4 5/16" Fender Washers	1
17	280-150-ENF	1-1/2" Enforcer Fertilizer Solution Hose	1

*Fittings included for 2", 1-1/2" or 1-1/4" tank opening.



Step by Step Instructions

1. Thread 2", 1-1/2" or 1-1/4" Manifold x MPT fitting into tank opening.
2. Assemble tank valve manifold fittings as shown.
3. Remove nuts on Poly Valve (Item 4) as required to fasten mounting brackets (Item 2 or Item 3) to valve and replace nuts, tighten. (*Often, only one bracket is used to mount the fill valve. Straight and 90° bracket are shown to illustrate both options.*)
4. Using hardware kits (Item 15, 16) fasten poly valve and mounting brackets to implement.
5. Assemble fill kit strainer assembly as shown.
6. Route 1-1/2" hose (Item 17) from strainer assembly hose barb (Item 7) to tank opening hose barb (Item 7) and tighten using two hose clamps (Item 15).

