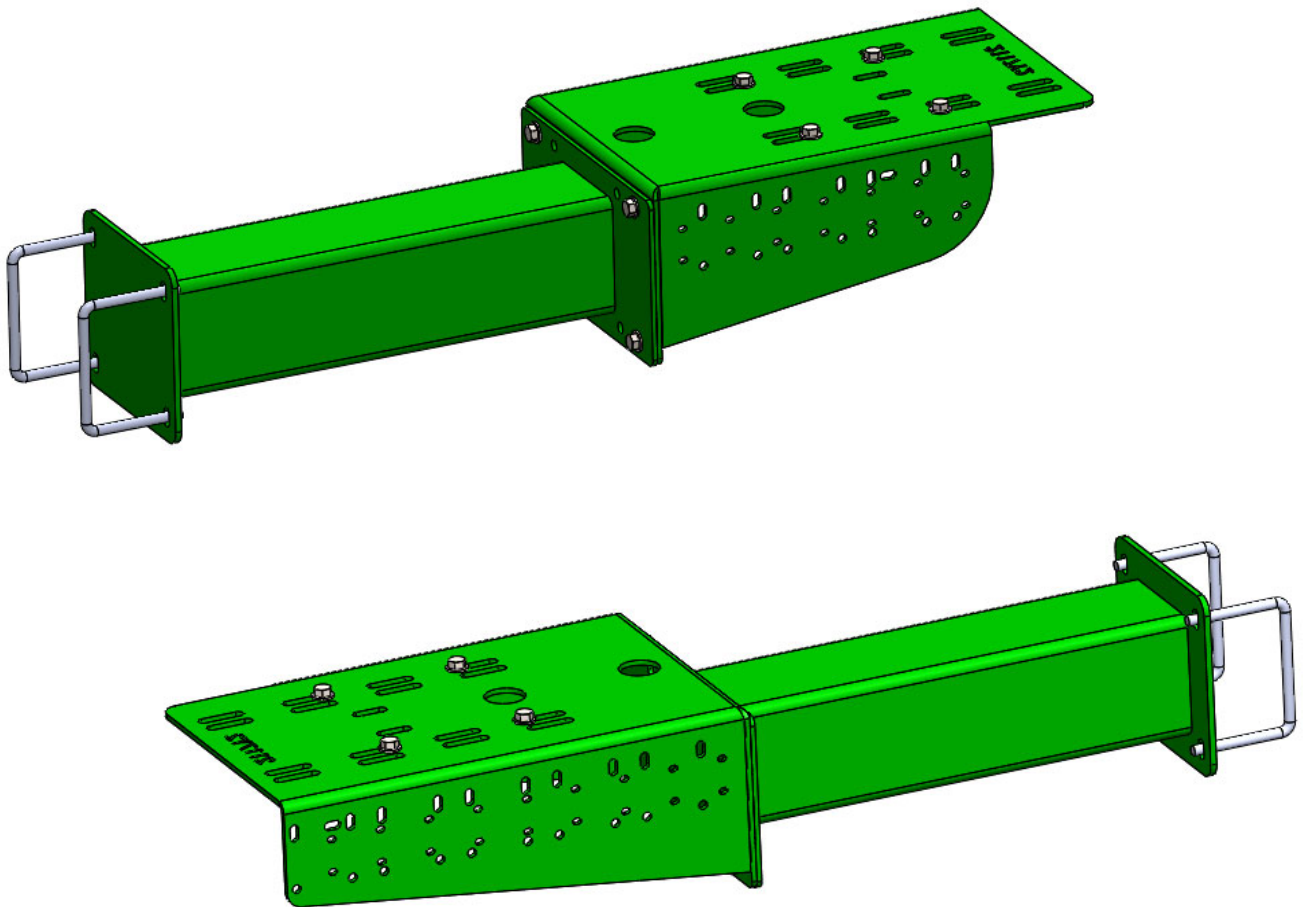




396-001490

John Deere DB Planter PumpRight Mounting Bracket

Kit Number: 515-200800

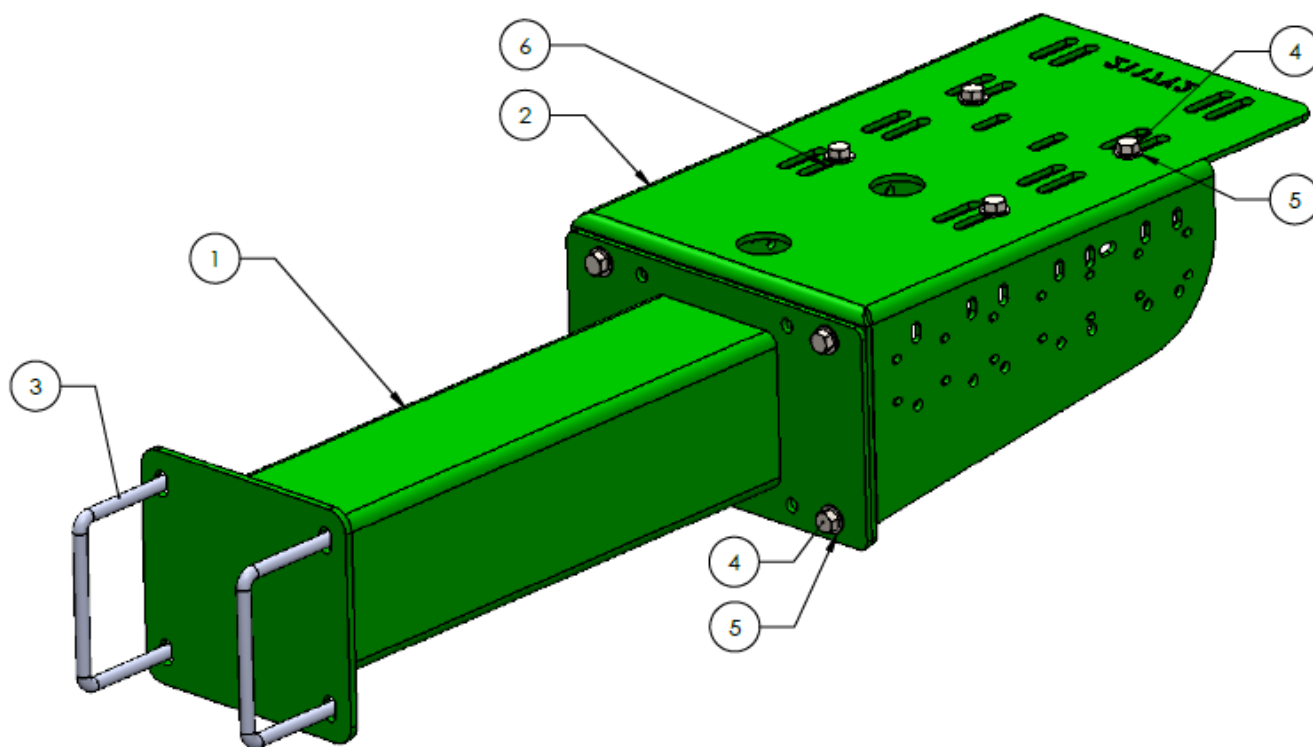




Parts List

Kit Number: 515-200800

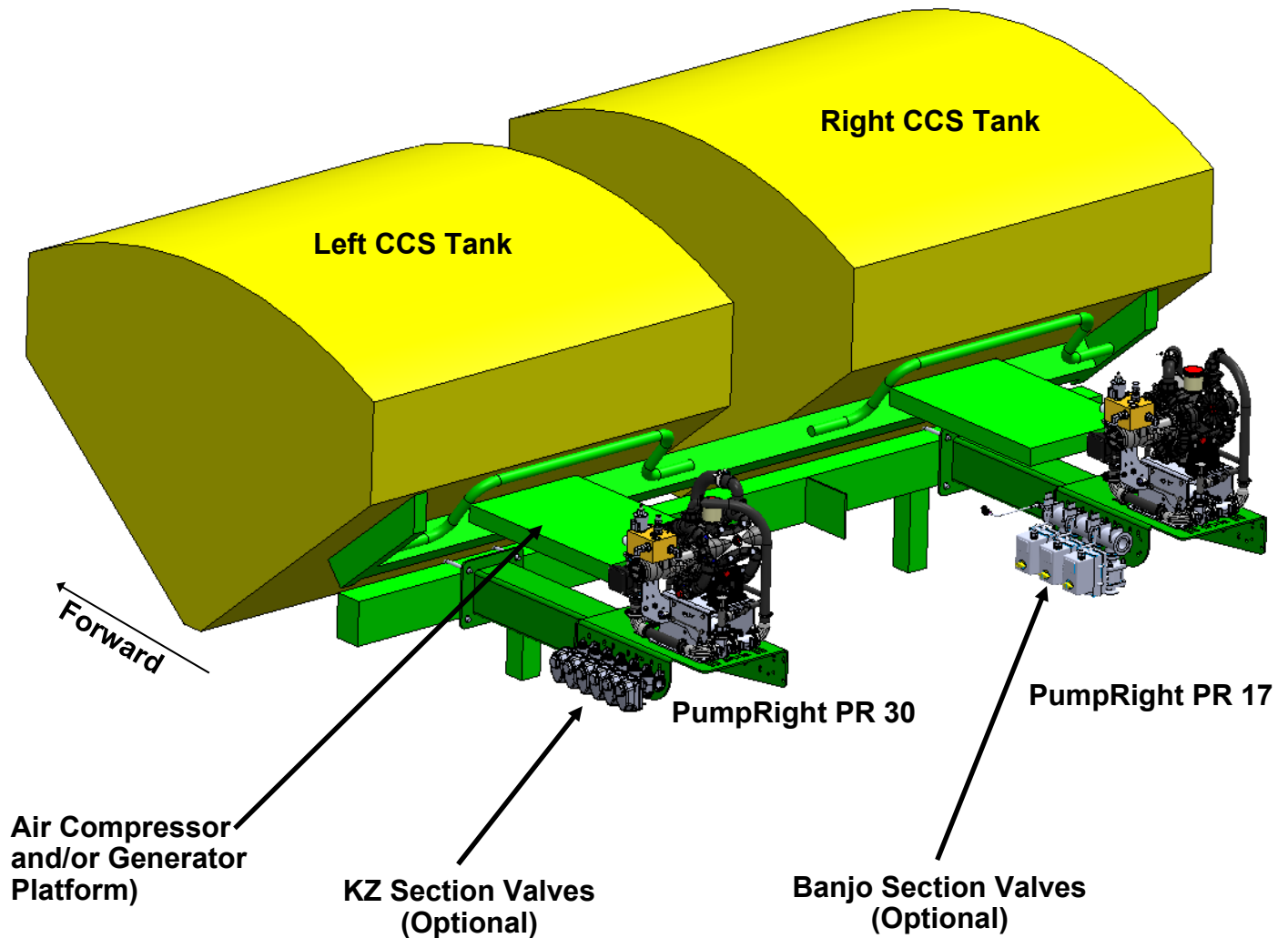
ITEM NO.	PART NUMBER	DESCRIPTION	QTY.
1	400-4120Y1	DB PumpRight Extension Bracket	1
2	400-2117Y2	DB PumpRight bracket, mounts to rear of CCS tank	1
3	380-1017	1/2" U-bolt Kit - fits 6" x 4" tube - (6" opening) includes flange nuts	2
4	300-080104-5	1/2" x 1-1/4" Hex Head Bolt-G5	8
5	330-08	1/2" Flat Washer	8
6	323-08	1/2" Flange Nut	8





Kit Description

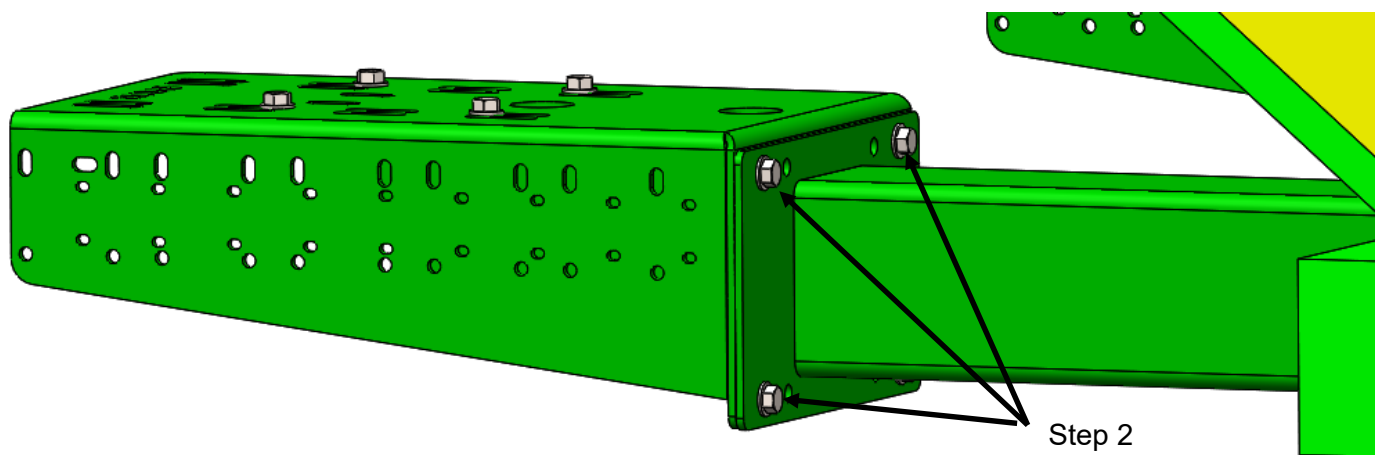
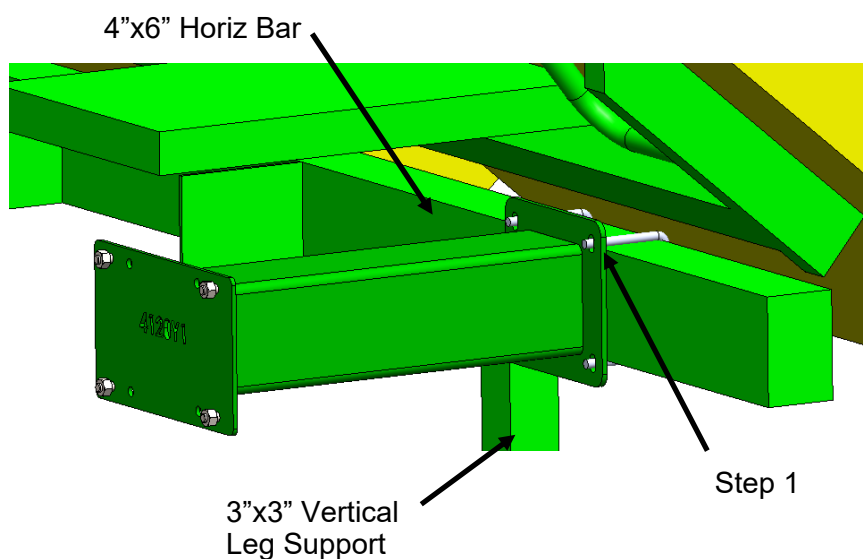
SureFire PumpRight Pumps can be mounted off the rear of the CCS Tank Support Structure on DB Planters. Each 515-200800 Bracket Kit will mount one PumpRight. The Bracket Kit can be used on both the left and right sides to mount two PumpRights on one planter as shown below.





Step by Step Instructions for mounting Bracket Kit to Planter

1. Mount the 4120Y1 Offset Bracket to the 4"x6" Horizontal Implement Bar using the provided 1/2"x6"x4" Square Bend U-bolts (380-1017). Placement of the Bracket should be placed on either side of the 3"x3" Vertical Leg Support of the Implement. Do not fully tighten the u-bolts to allow for adjustment in step 2.



2. Mount the 400-2117Y2 DB PumpRight Bracket to the Offset Bracket (400-4120Y1) as shown above, using the provided QTY 4, 1/2"X1-1/4" bolts, 1/2" washers and 1/2" flange nuts.
3. Once bracket kit is in desired location, tighten all bolts and square bend u-bolts.

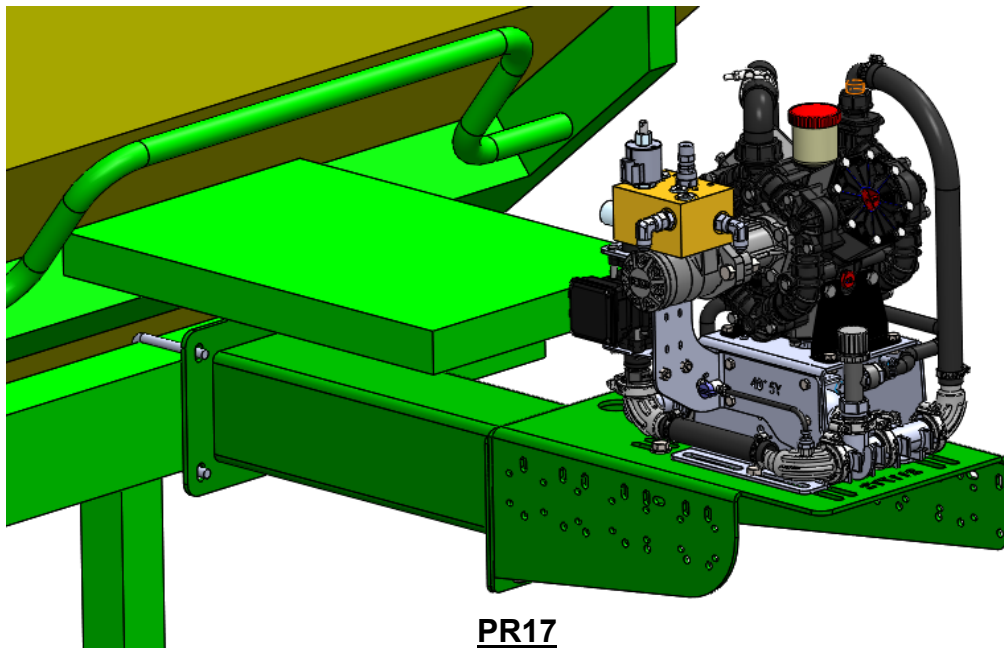


PumpRight Installation

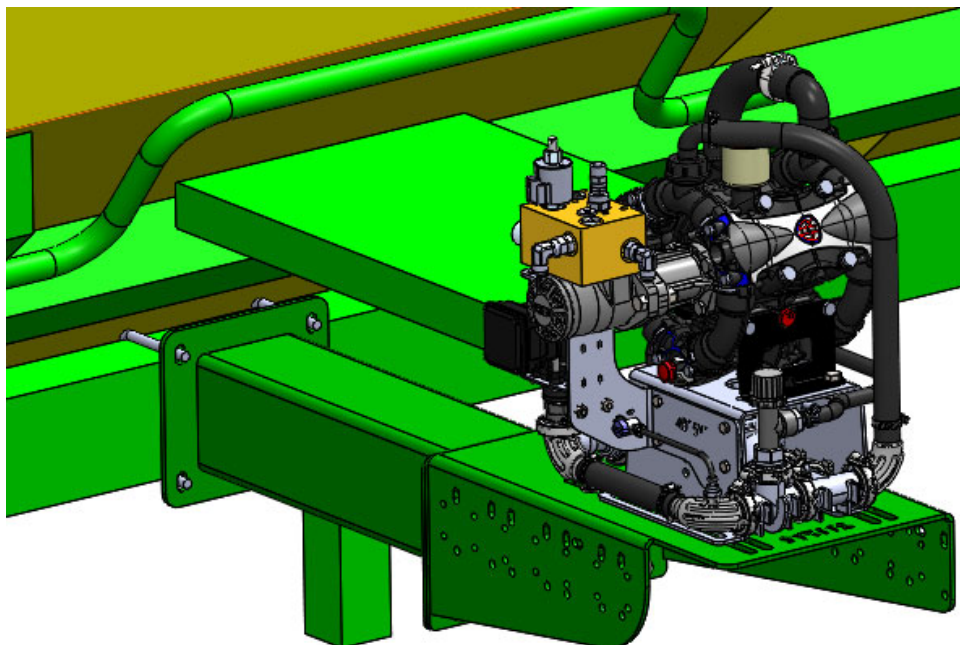
The 400-2117Y2 DB PumpRight Bracket can be used to mount the PumpRight GEN 2 PR17, PR30, PR40 and D250

Instructions:

1. Set the pump on the bracket. Typically the liquid plumbing components are pointed to the rear for easiest installation and maintenance.
2. Attach the PumpRight with the four provided 1/2"x1-1/4" bolts (300-080104-5). Multiple slots are included in the bracket and the PumpRight bases to allow flexibility in mounting.



PR17



PR30

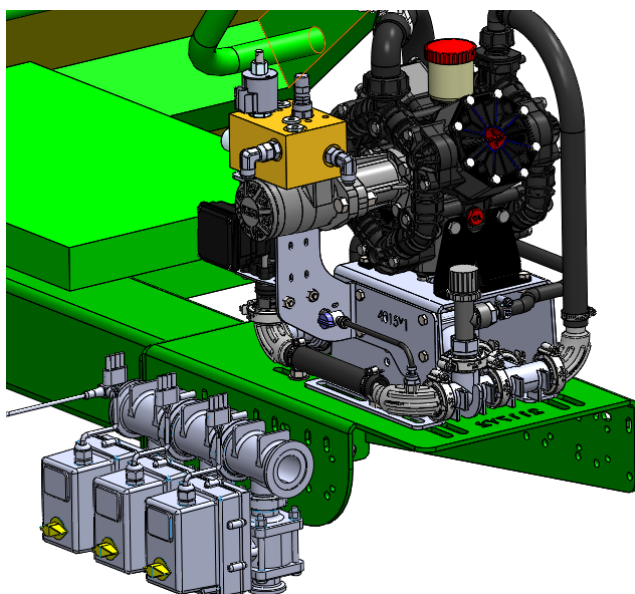


Optional Section Valve Installation

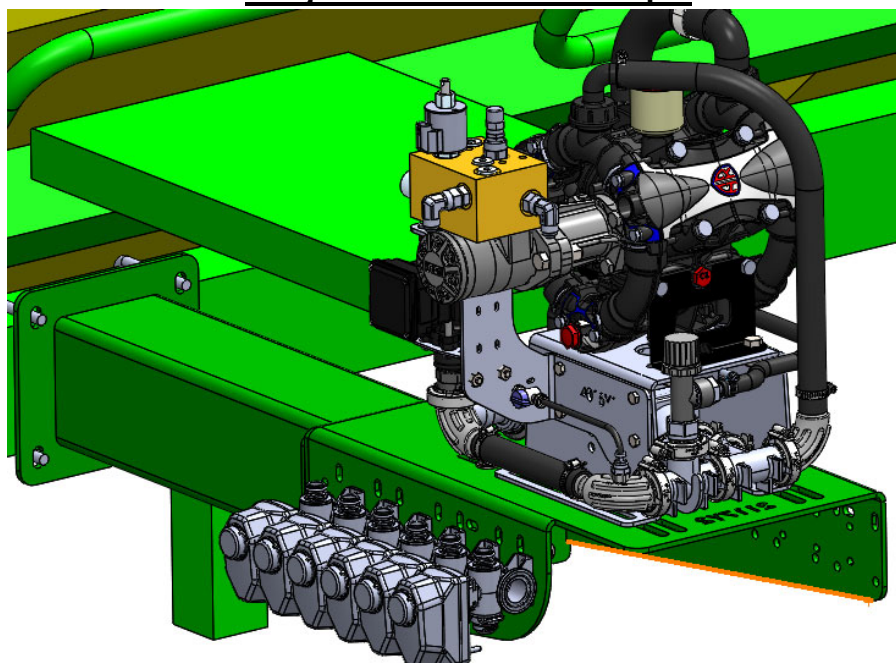
Banjo and KZ Section Valves can also be mounted to the 400-2117Y2 DB PumpRight Bracket on either side.

Instructions:

1. For Banjo Section Valves, use the respective round bend u-bolts provided with the particular valve kit ordered. Valves can be added to either side of bracket.
2. For KZ Section Valves, use the respective bolts and hardware provided with the particular valve kit ordered. Valves can be added to either side of bracket.



Banjo Section Valve Example



KZ Section Valve Example