



396-001490

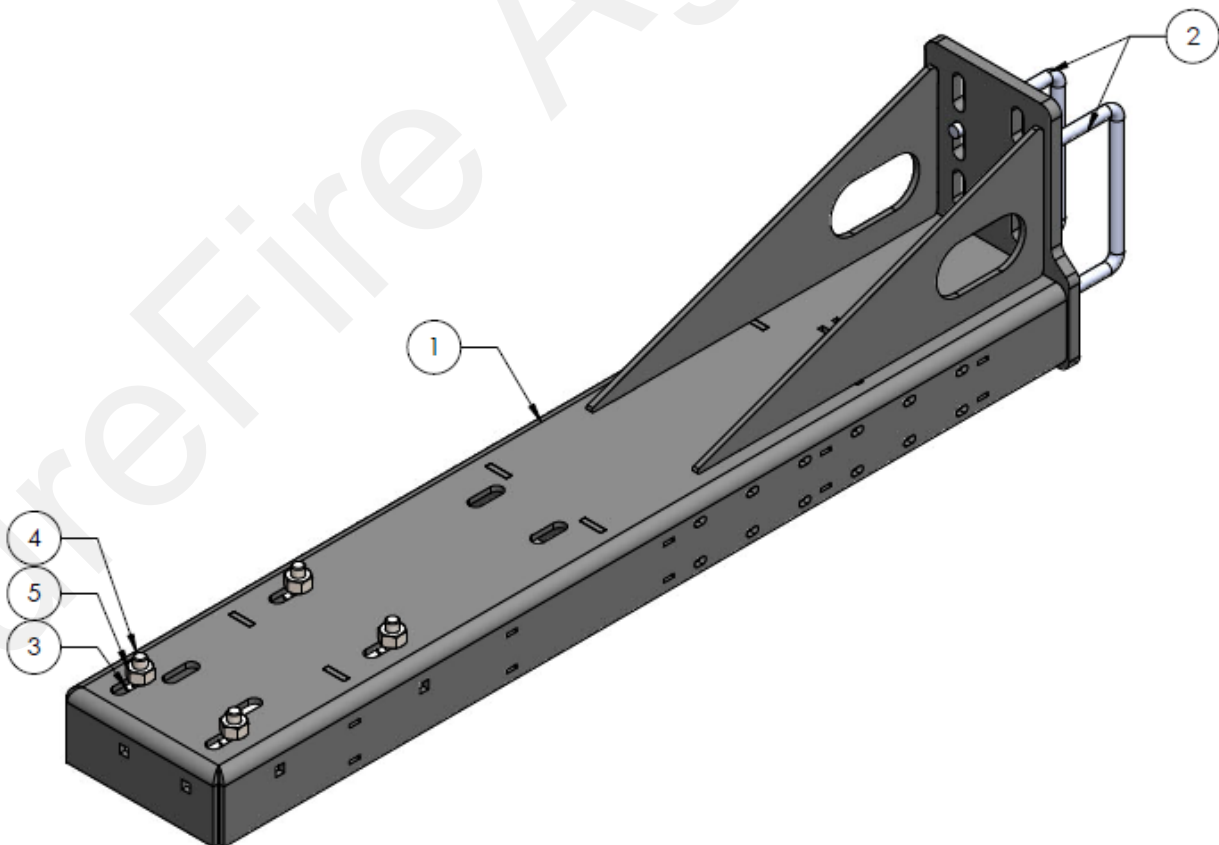
John Deere DB Planter PumpRight Mounting Bracket

Planter Manufacturer: **JOHN DEERE**

Kit Number: 515-03-200800

Kit Description: John Deere DB Pump Mounting Kit

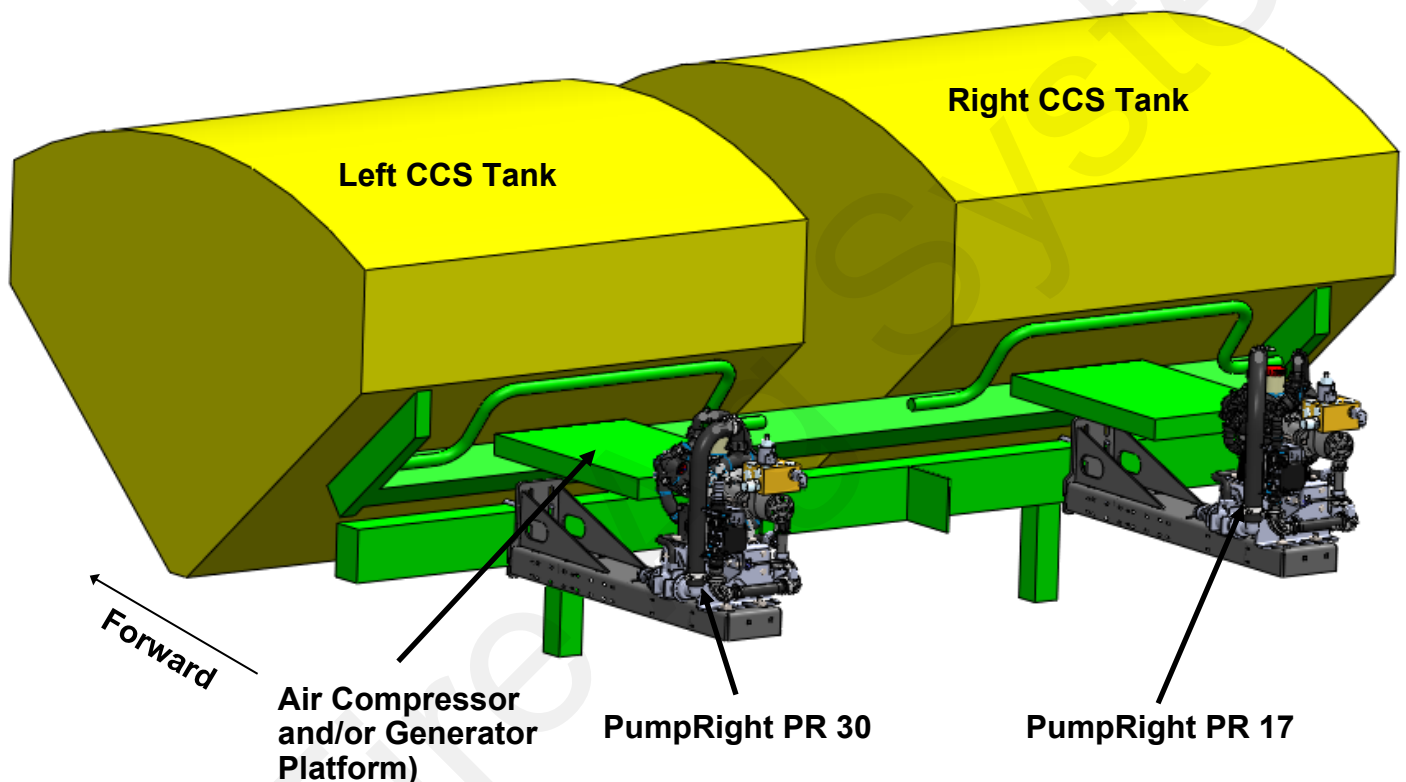
ITEM NO.	PART NUMBER	DESCRIPTION	QTY.
1	400-5100Y1	Bar Mounted Pump Mountiung Bracket	1
2	380-1017	1/2" U-Bolt Kit - fits 6" x 4" tube	2
3	330-08	1/2" Flat Washer	4
4	300-080104-5	1/2" x 1-1/4" Hex Head Bolt-G5	4
5	323-08	1/2" Flange Nut	4



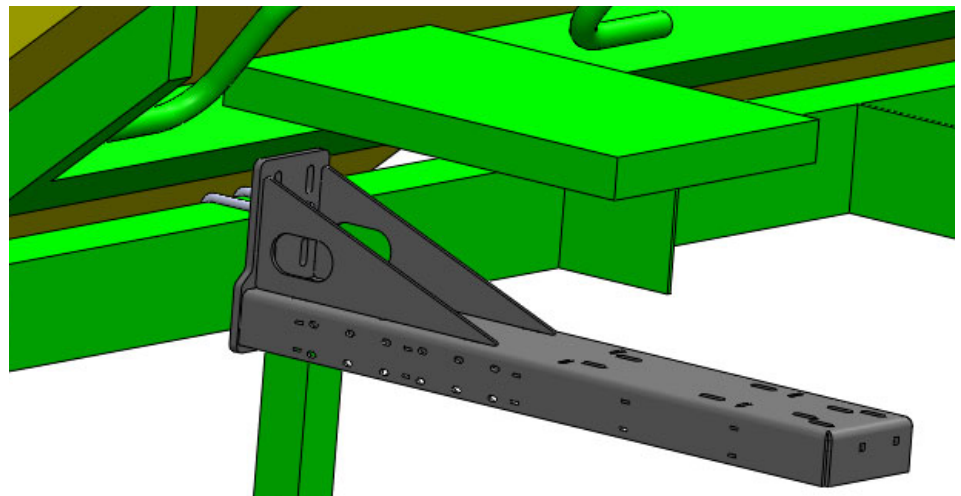


Kit Description

SureFire PumpRight Pumps can be mounted off the rear of the CCS Tank Support Structure on DB Planters. Each 515-03-200800 Bracket Kit will mount one PumpRight. The Bracket Kit can be used on both the left and right sides to mount two PumpRights on one planter as shown below.



1. Mount the 5100Y1 bracket to the 6" x 4" bar under the CCS tanks using the provided U-Bolts. Depending on desired mounting location, the bracket can be placed on either side of the 3" x 3" support leg.
2. Be sure to tighten the U-Bolts well before operation.



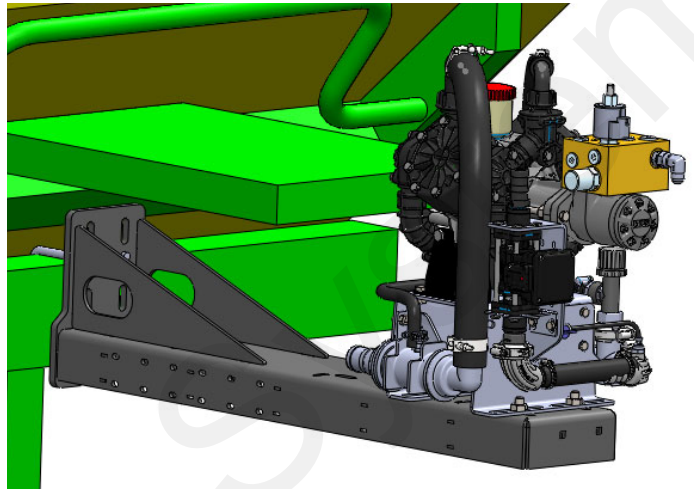


PumpRight Installation

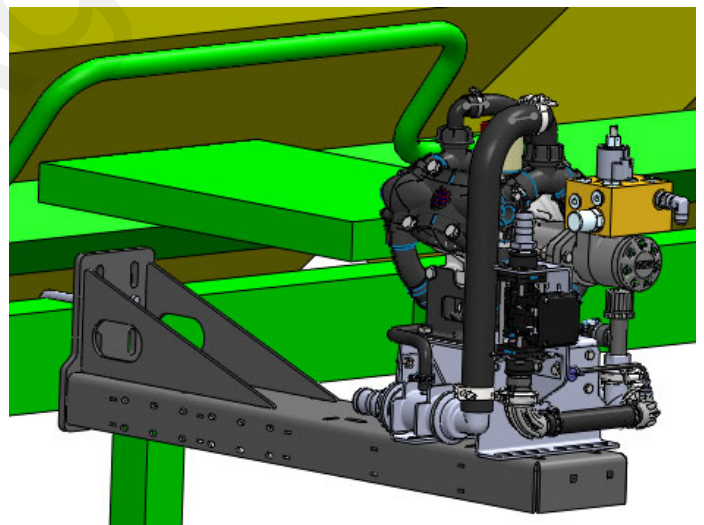
The John Deere DB Pump Mounting Kit can be used to mount the PumpRight GEN 2 PR17, PR30, PR40, and Tower electric pumps

Instructions:

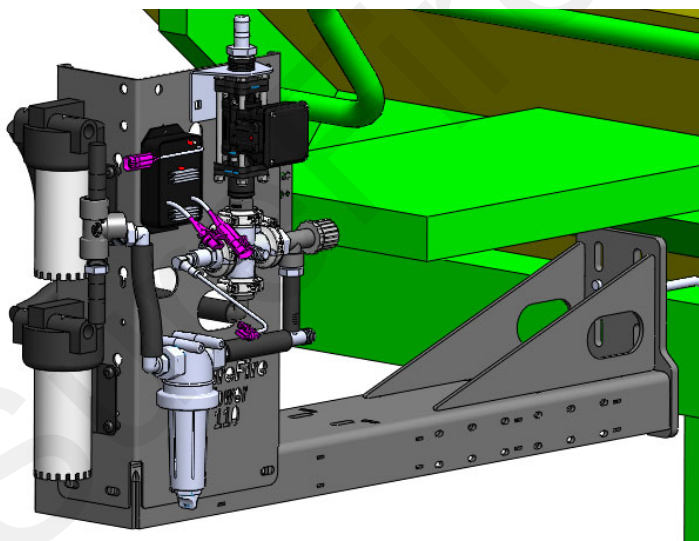
1. Set the pump on the bracket. Face the inlet plumbing for the pump towards the front of the planter for easiest installation and maintenance.
2. Attach the PumpRight with the four provided 1/2"x1-1/4" bolts (300-080104-5). Make sure the pump is mounted in the shown configuration to avoid obstructions.
3. For Tower pumps, use the square mounting holes on the front and side of the 5100Y1 bracket for mounting. Use provided 3/8" hardware to fasten the Tower to the bracket.



PR17



PR30



Tower



Optional Section Valve Installation

KZ Section Valves can also be mounted to the side of the 400-5100Y1 pump mounting bracket

Instructions:

1. For KZ Section Valves, use the respective bolts and hardware provided with the particular valve kit ordered. Valves can be added to either side of bracket.

