

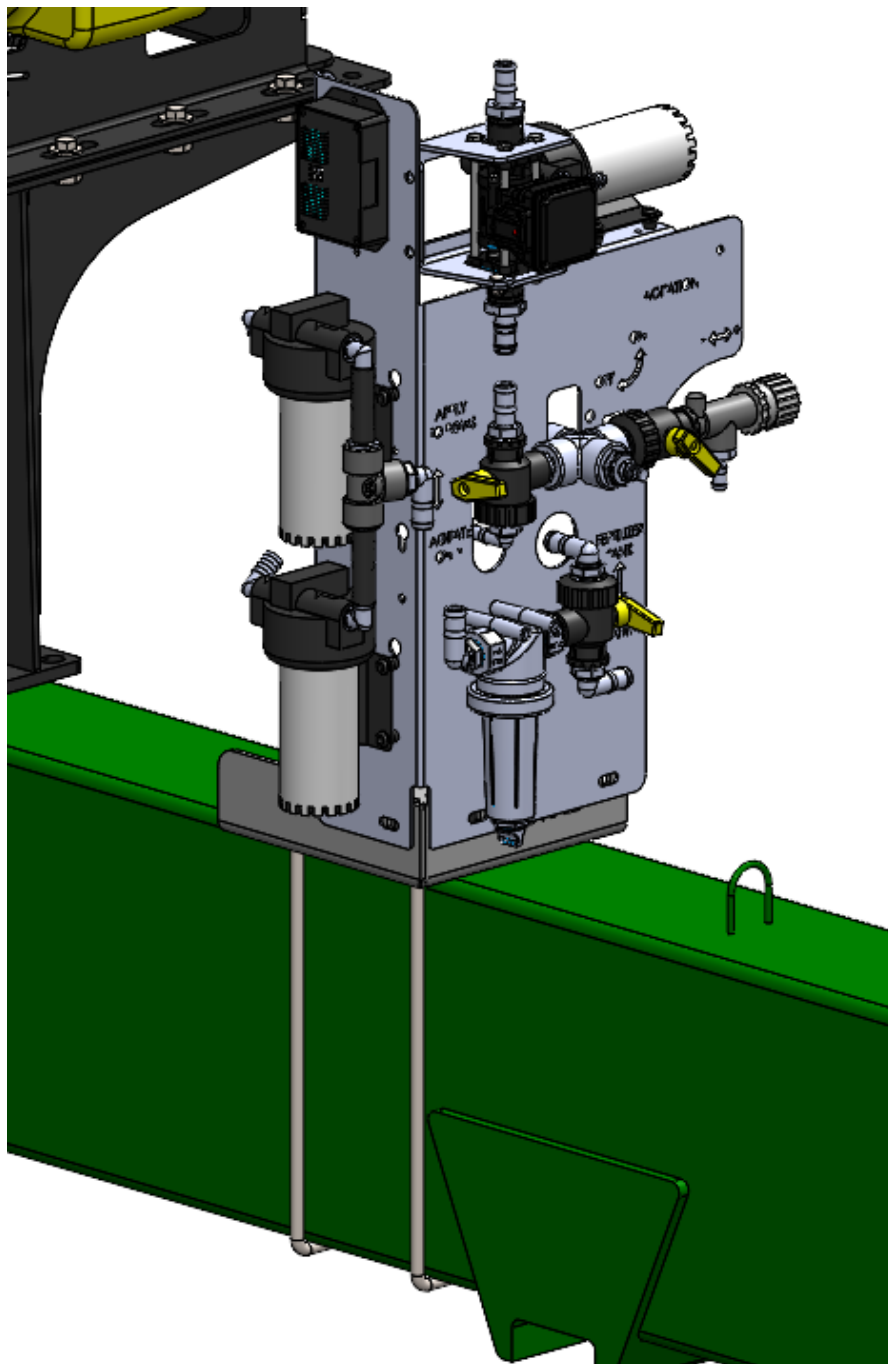


# 396-001420

## *Tower 110 / 200 Mounting Bracket to 8" wide front fold planter hitch instructions*

**Kit Number: 511-1008**

**Description: Tower 110 & 200 Mount Bracket Kit 8x 12 Hitch**



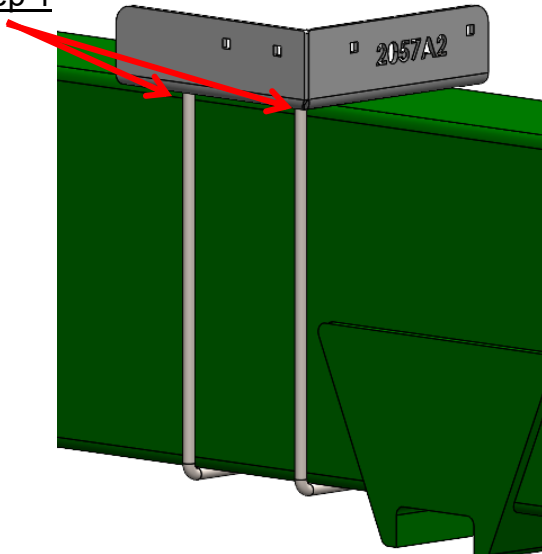
# Parts List and Installation Instructions

## 511-1008

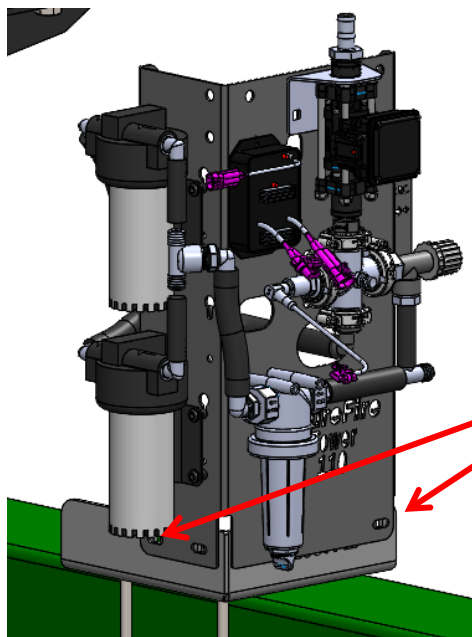
### Tower 110 / 200 Mounting Bracket

| ITEM NO. | PART NUMBER   | DESCRIPTION                                                                             | QTY. |
|----------|---------------|-----------------------------------------------------------------------------------------|------|
| 1        | 380-1019      | 1/2" U-bolt Kit - fits 8" x 12" tube - (8" opening) includes flange nuts                | 2    |
| 2        | 384-1080      | Hardware Kit - Qty 4 of 3/8" Carriage Bolts and 3/8" Flange nuts for mounting Tower     | 1    |
| 3        | 396-001420    | Tower 200 Mounting Bracket to 8 inch wide front fold planter hitch instructions         | 1    |
| 4        | 410-2057A2-BK | Tower Mounting Bracket, places tower directly over 4-8" wide bar (Fits Tower 110 & 200) | 1    |

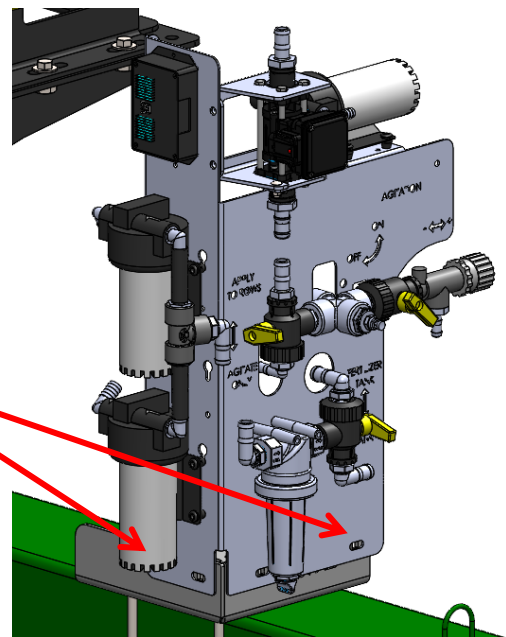
Step 1



1. Mount 410-2057A2 to the hitch as shown using the U-bolts provided.
2. Mount the Tower system to the mounting bracket using 384-1080 hardware kit.



Shown with Tower 110



Shown with Tower 200

Step 2