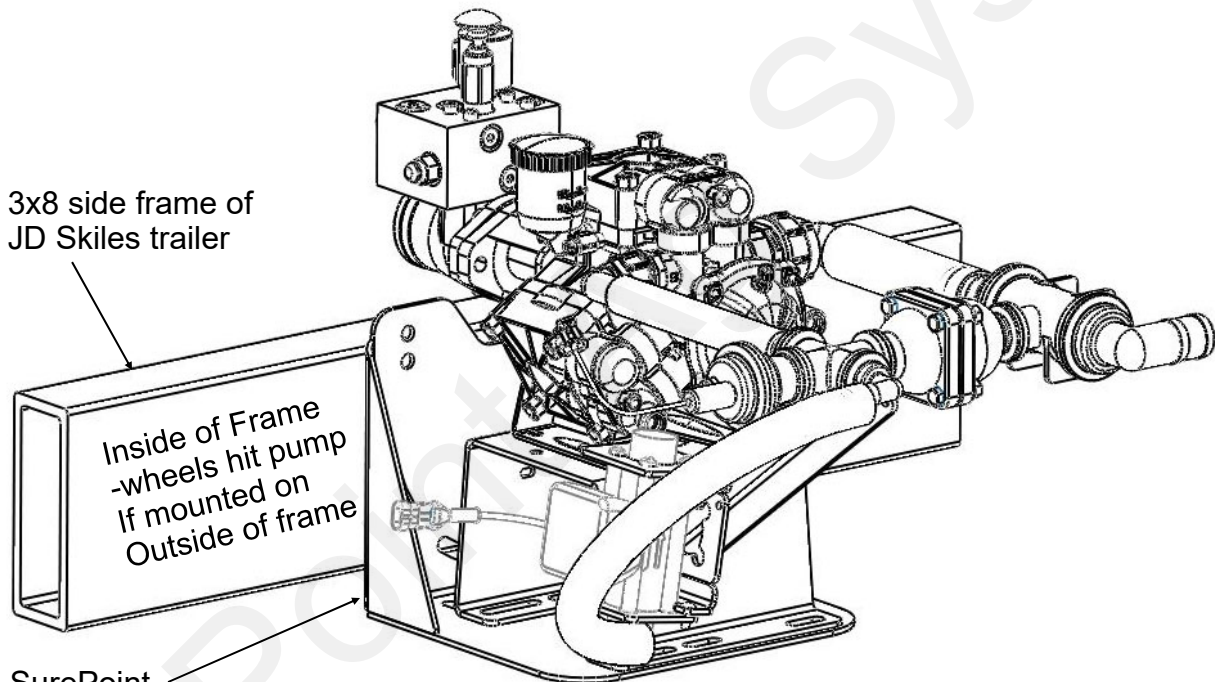


# 396-001410



## ***PumpRight mounting bracket instructions for JD Skiles or similar cone bottom trailer***

**PumpRight Bracket kit for JD Skiles Cone Bottom Trailer**  
**Item Number: 515-03-203100**



SurePoint  
Bracket  
400-1900A1

Mount the SurePoint bracket to the inside of the 3x8 side frame of the JD Skiles Trailer. Attach with two 1/2" U-bolts.

- On dual cone bottom, centered on the trailer right side between both tanks works best.
- On a single cone bottom, position the bracket far enough rearward to gain clearance under the cone tank for the pump.

Bolt the PumpRight down to the bracket with four 1/2" bolts.

Complete liquid and hydraulic plumbing per other instructions.

