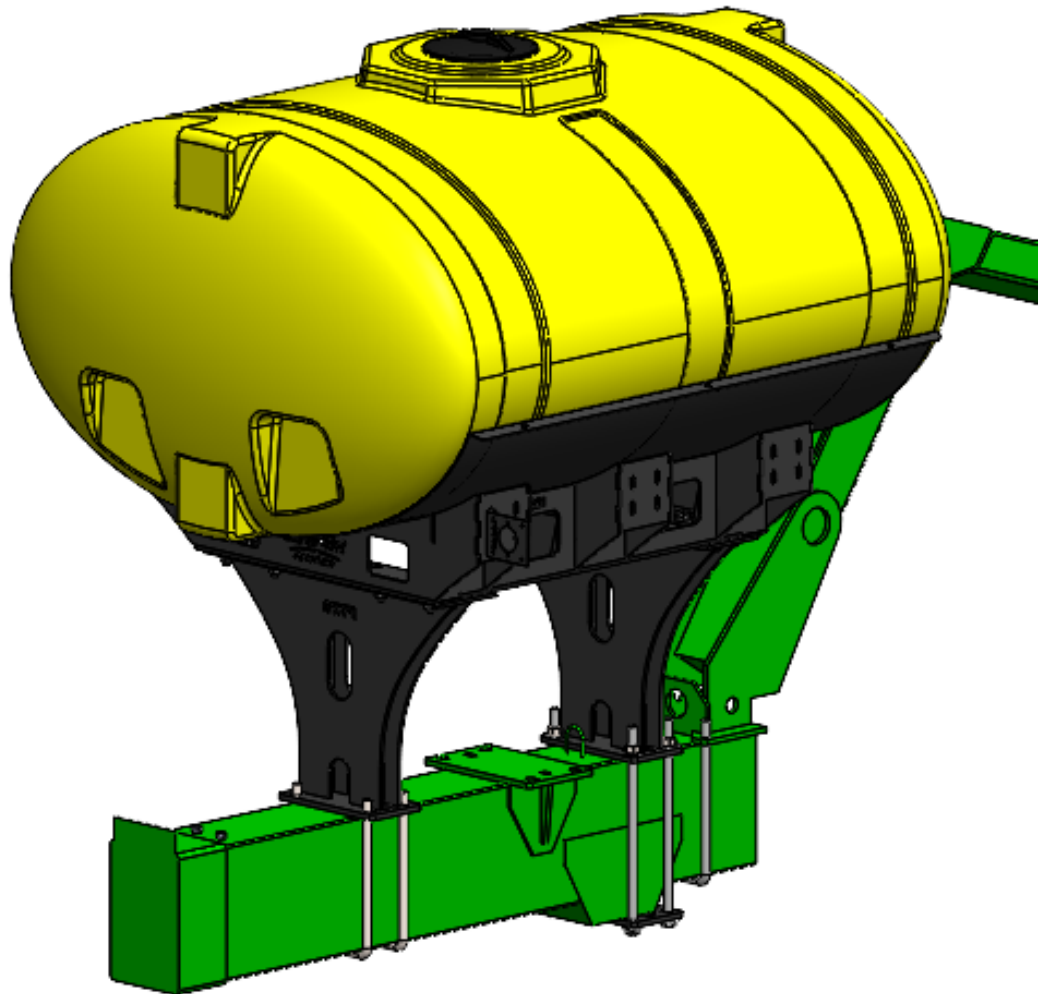




396-001390

John Deere 30 Foot, 12 Row 1770NT/1775NT Hitch Mount Tank Instructions

Kit Number:
530-01-255750: 400 Gallon Elliptical Tank Kit





SurePoint Ag Systems Fertilizer Tank Safety and Warnings



SurePoint Ag Systems does not recommend transporting your implement with full fertilizer tanks. Doing so can result in damage to brackets and implement.



Remember to wear proper PPE (*Personal Protective Equipment*) when installing SurePoint Ag Systems fertilizer tank kits. Proper PPE includes gloves, foot and eye protection, and hearing protection.



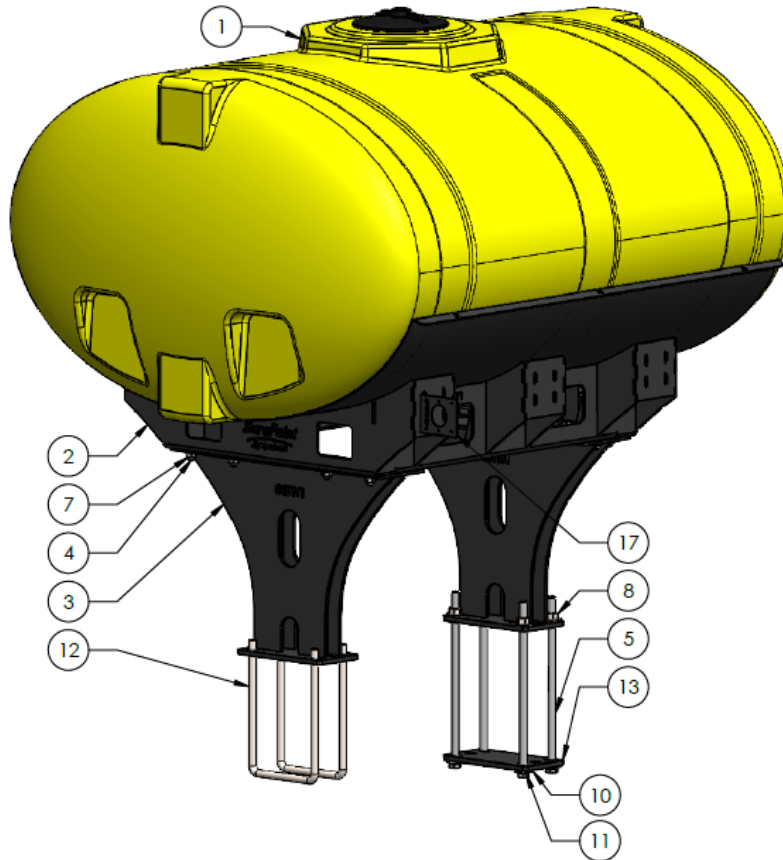
SurePoint Ag Systems fertilizer application systems require winterization when not in use. Refer to your product manual for winterization procedures.

Failure to follow the above warnings can result in personal injury, damage to your SurePoint Ag Systems products, and damage to your implement.



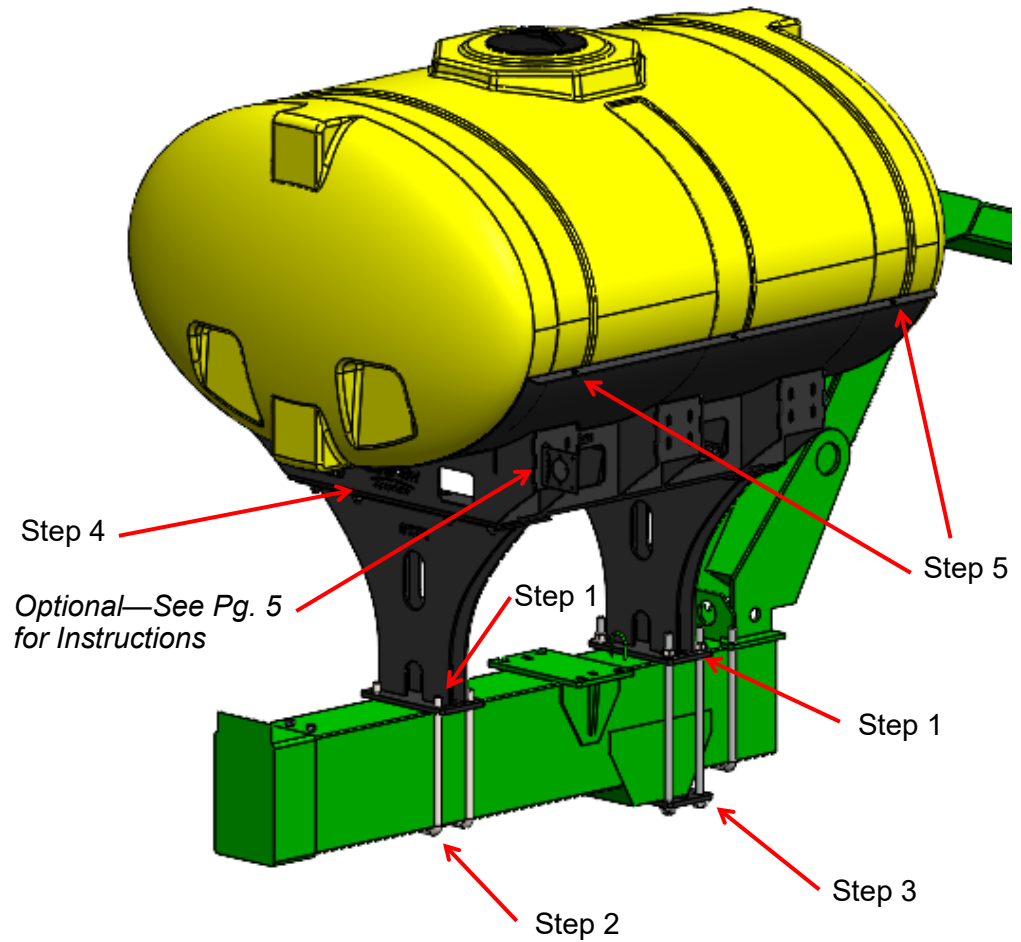
Parts List and Exploded View Kit Number: 530-01-255750 (400 Gal)

ITEM NO.	PART NUMBER	DESCRIPTION	QTY.
1	727-01-HE0400-57-Y	Elliptical Tank - 400 Gal - Yellow	1
2	421-6516Y1	400 Gallon Elliptical Tank Cradle (New Design)	1
3	421-6571Y1	20" Light Duty Pedestal	2
4	300-100108-5	Flange Head Bolt, 5/8" x 1-1/2" - G5	12
5	300-121800-5	3/4" x 18" Hex Head Bolt - G5	4
6	300-060012-5	3/8" x 3/4" Hex Head Bolt - G5	2
7	325-10	5/8" Top Lock Hex Flange Nut	12
8	320-12-8	3/4" Nut G8	4
9	323-06	3/8" Flange Nut	2
10	330-12-8	3/4" Flat Washer G8	8
11	331-12-8	3/4" Lock Washer G8	4
12	380-1066	3/4" U-Bolt Kit - fits 8" x 12" (8" opening)	2
13	421-2023A1	Spacer/Backer Plate for Hitch Mount Tank Pedestals	1
14	525-3000	Tank Strap Kit, 3" Wide, 400-750 Gallon	2
15	521-00-100285	Tank Overflow Assembly Bag for 400 - 750 Gallon Tanks	1
16	280-100-AG200	1" AG200 Bulk	10'
17	422-2678Y1	Bracket for Vacuum Gauge on JD Planters	1
18	521-00-100255	JD Vacuum Gauge Extension Assembly	1





Step by Step Instructions



Tank Mounting Instructions:

**It is recommended to remove existing vacuum gauge prior to tank installation and installation of new vacuum gauge bracket. See Page 5 for further instructions.*

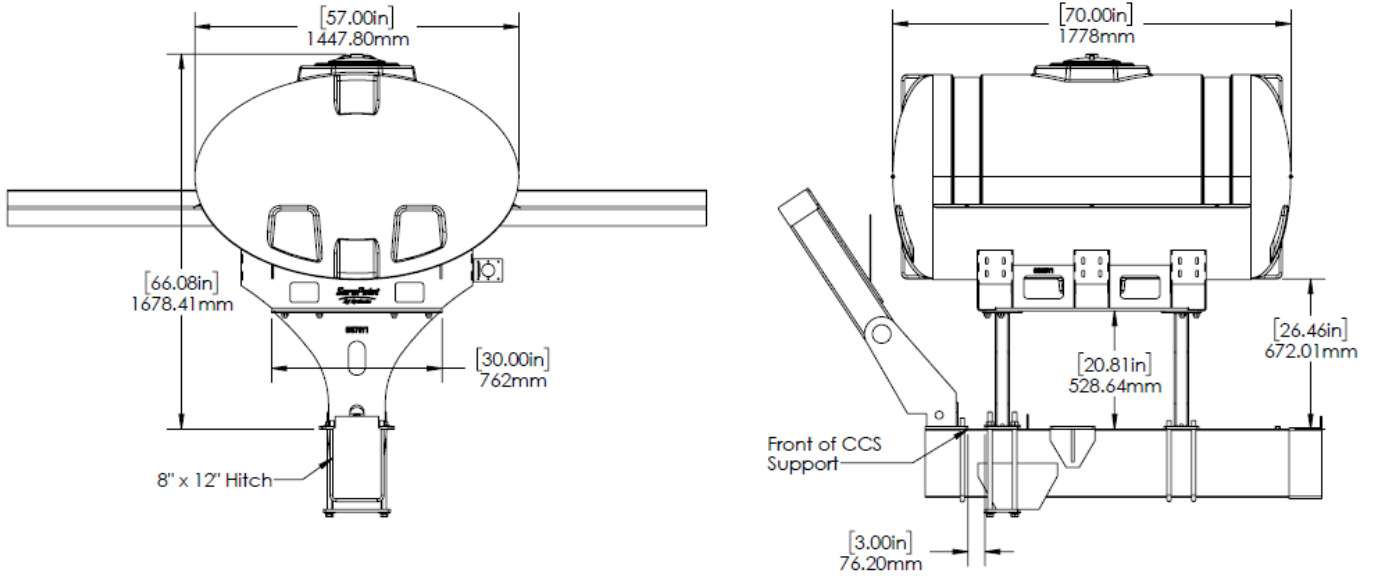
1. Mount both pedestals (421-6571Y1-BK) directly to the 8x12 hitch.
2. Loosely mount the front pedestal using provided 3/4" x 8" x 12" square u-bolts.
3. Use the provided backer plate (421-2023Y1-BK) and 3/4" x 18" bolts to loosely attach the rear pedestal. Fasten with 3/4" flat washer, lock washer and hex nut. The front of the pedestal should mount as close to the welded loop as possible (approximately 4-1/4" space between the pedestal bolt plate and CCS support plate) Note: To center the backer plate on the frame gusset, remove the welded loop with a grinder.
4. Place tank cradle on support stands. Bolt loosely with 5/8" bolts. (*Tip: 400 gallon tank cradle can be mounted with sump forward or rearward. For installation with markers, the cradle can be rotated 90°*)
5. Install tank and secure with straps. (*This step may have already been completed*)
6. Inspect tank and tank brackets for interference and tighten all bolts.
7. Tighten straps again after the tank has been filled.

NOTE: REFER TO THE FOLLOWING PAGES FOR SPECIFIC INSTALLATION GUIDES.



400 Gallon Tank Installation Guide

→
Front of Implement



JD1770NT 12R30 -NO Refuge Tank, NO markers

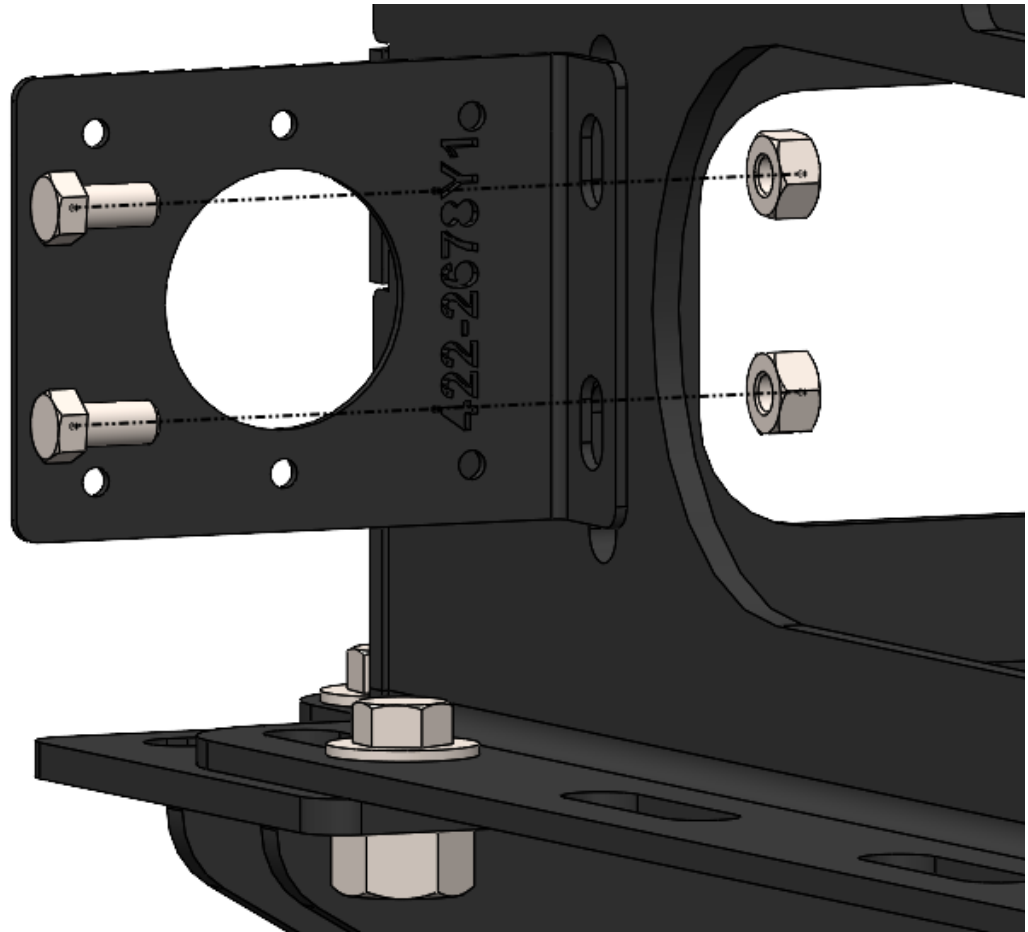


Optional Vacuum Gauge Bracket Installation Instructions

The CCS vacuum gauge must be moved so it can be seen with the tank installed.

Instructions:

1. Mount 422-2678Y1 gauge bracket to the front of the tank cradle using 3/8" bolts and flange nuts. (Shown Below)
2. Remove gauge from current mount and mount vacuum gauge to new bracket using existing hardware.
3. Use 1/4" hose mender and 3/8" OD poly tubing (P/N 521-00-100255) to extend vacuum tubing to relocated vacuum gauge.





Hydraulic Cylinder Depth Stops for Marker Clearance

If you have a planter with markers, you may have to use Hydraulic cylinder depth stops so the markers will clear your tank. If you have any marker clearance issues, these depth stops will need to be purchased from your local John Deere dealership. Follow the step-by-step instructions below to install your depth stop kit.

1. After the install of your tank kit, determine the extra marker clearance needed to clear the tank. The PM30098 Depth Stop Kit provides 4 depth stops of varying thicknesses: 3/4", 1", 1-1/4", and 1-1/2". You may use one, some, or all of these stops to get the proper clearance from your tank.
2. Open the planter and set the planter to "Plant" mode. Lay the markers out and place the necessary depth stops on the cylinder rods.
3. Retract the markers and fold the planter carefully. Your markers may not clear the tank on the first try. When folding the planter, watch the marker clearance carefully and adjust marker stops as necessary for your application.

**John Deere Hydraulic
Cylinder Depth Stop Kit
Part Number: PM30098**



Place depth stops here: