

# 396-001330

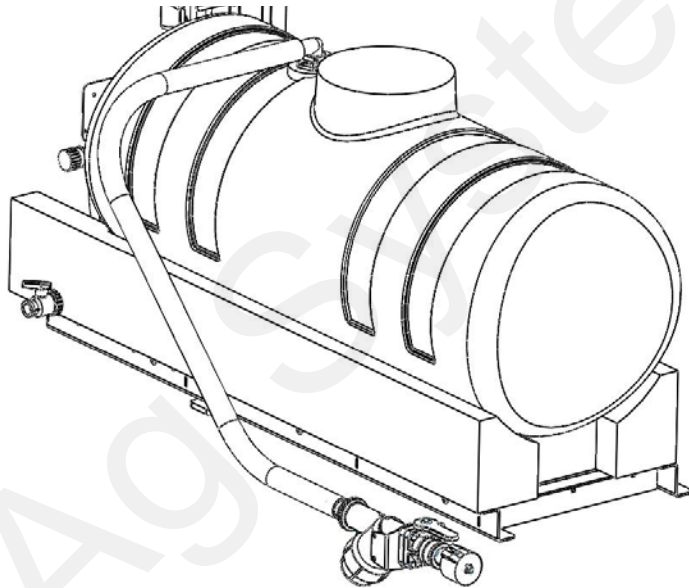


## Accelerator Tank Fill Kit 2" Flange Fittings with 1 1/2" Hose

Item Number: 520-00-1010

SureFire Accelerator Tanks are usually fitted with a 1 1/2" hose barb on the top of the tank for filling. This is connected to a hose extending near the bottom of the tank. The standard fill kit includes 10 feet of 1 1/2" hose.

The valve and strainer assembly can be mounted wherever is most convenient on your equipment.



Both 90 degree and straight mounting brackets are included in the kit. Typically only one is used depending on mounting location. Bracket can be bolted on with 3/8" bolts or screwed on with self drilling screws and fender washers included in the kit.

