



# 396-001310

## John Deere 1770/1775NT

### 40 Ft - 16 Row

### Hitch Mounted Tank Instructions

Planter Manufacturer:



**JOHN DEERE**

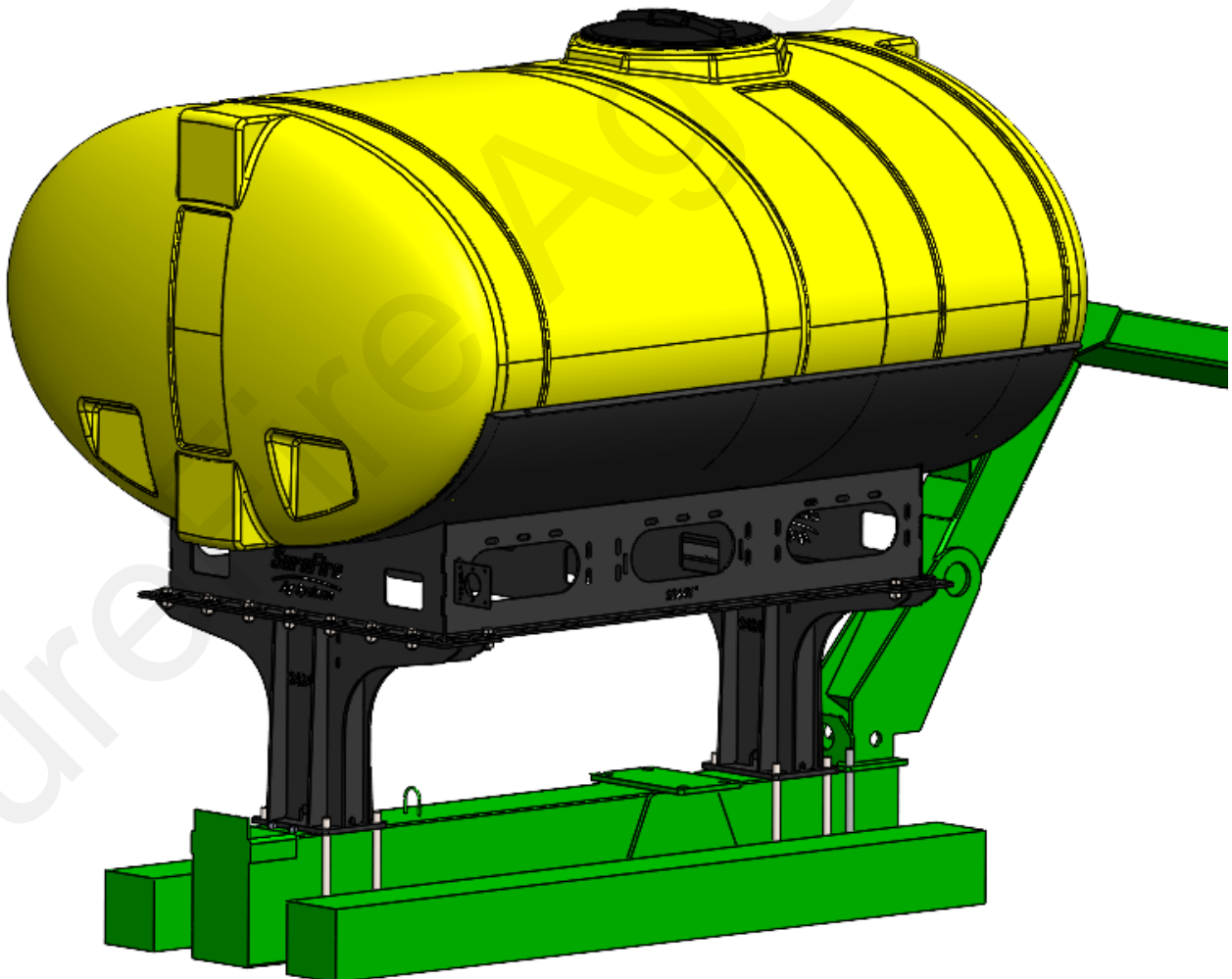
Kit Number:

530-01-250400: 400 Gallon Elliptical Tank Kit

530-01-250500: 500 Gallon Elliptical Tank Kit

530-01-250550: 600 Gallon Elliptical Tank Kit

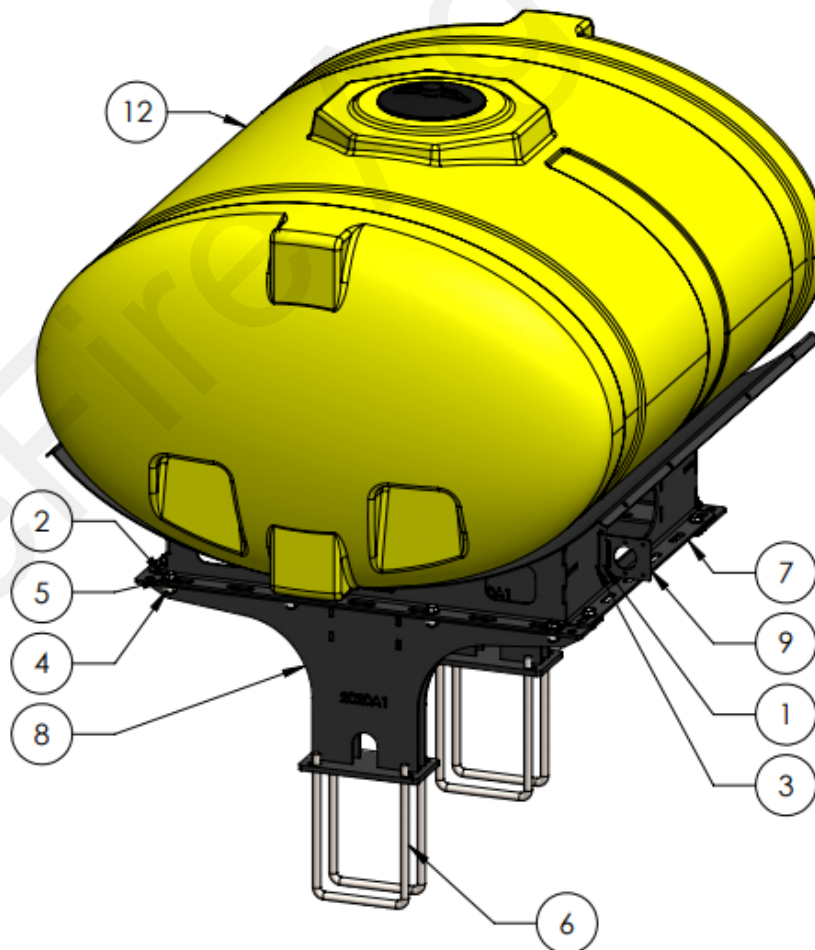
530-01-250600: 750 Gallon Elliptical Tank Kit





# Parts List and Exploded View Kit Number: 530-01-250400 (400 Gal)

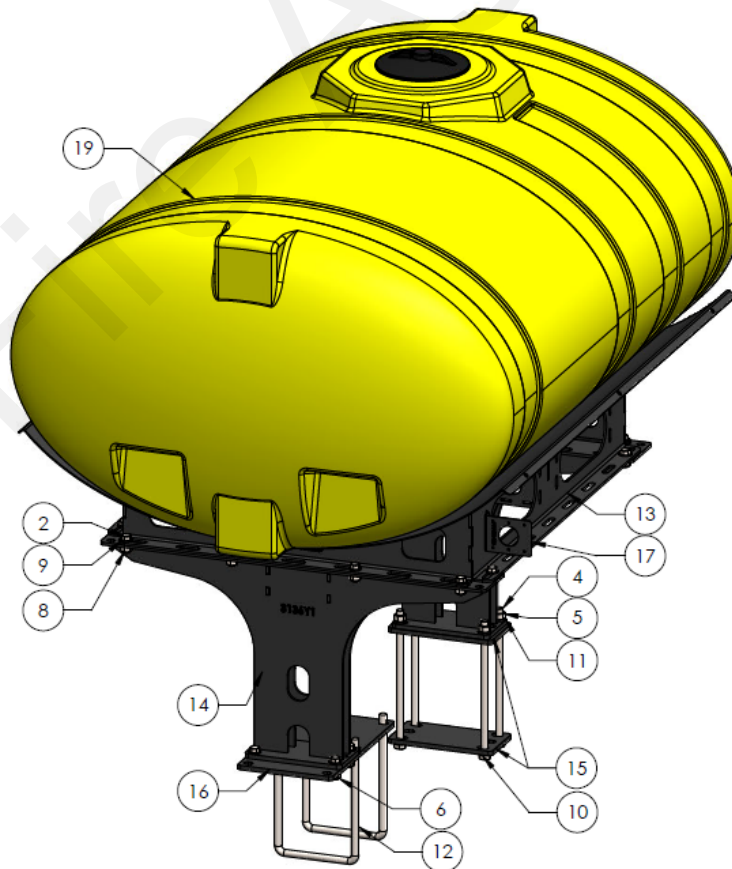
| ITEM NO. | PART NUMBER        | DESCRIPTION                             | QTY. |
|----------|--------------------|---|------|
| 1        | 300-060012-5       | 3/8" x 3/4" Hex Head Bolt - G5          | 2    |
| 2        | 300-100108-5       | 5/8" x 1-1/2" Hex Head Bolt - G5        | 12   |
| 3        | 323-06             | 3/8" Flange Nut                         | 2    |
| 4        | 323-10             | 5/8" Flange Nut                         | 12   |
| 5        | 330-10             | 5/8" Flat Washer                        | 12   |
| 6        | 380-1066           | 3/4" U-Bolt Kit - Fits 8"x12" tube      | 4    |
| 7        | 421-1333A2-BK      | 400 Gallon Elliptical Cradle            | 1    |
| 8        | 421-2020Y1-BK      | Hitch Mount Tank Pedestal               | 2    |
| 9        | 422-2678Y1         | Bracket for Vacuum Gauge on JD Planters | 1    |
| 10       | 521-00-100255      | John Deere CCS Gauge Extension Assembly | 1    |
| 11       | 525-3000           | 3" Tank Strap Kit for 400-1000 Gallon   | 2    |
| 12       | 727-01-HE0400-57-Y | Elliptical Tank - 400 Gal - Yellow      | 1    |





# Parts List and Exploded View Kit Number: 530-01-250500 (500 Gal)

| ITEM NO. | PART NUMBER           | DESCRIPTION                                  | QTY |
|----------|-----------------------|--|-----|
| 1        | 300-060012-5          | 3/8" x 3/4" Hex Head Bolt - G5               | 2   |
| 2        | 300-100108-5          | 5/8" x 1-1/2" Hex Head Bolt - G5             | 12  |
| 3        | 300-100200-5          | 5/8" x 2" Hex Head Bolt - G5                 | 4   |
| 4        | 300-121500-5          | 3/4" x 15" Hex Head Bolt - G5                | 4   |
| 5        | 320-12                | 3/4" Nut G8                                  | 4   |
| 6        | 321-10                | 5/8" Nylock Nut                              | 4   |
| 7        | 323-06                | 3/8" Flange Nut                              | 2   |
| 8        | 323-10                | 5/8" Flange Nut                              | 12  |
| 9        | 330-10                | 5/8" Flat Washer                             | 20  |
| 10       | 330-12                | 3/4" Flat Washer G8                          | 8   |
| 11       | 331-12                | 3/4" Lock Washer G8                          | 4   |
| 12       | 380-1066              | 3/4" U-Bolt Kit - Fits 8" x 12" Tube         | 2   |
| 13       | 421-1329A2            | 500 Gallon Elliptical Cradle                 | 1   |
| 14       | 421-3136Y1            | 22" Hitch Mount Tank Pedestal                | 2   |
| 15       | 421-2023A1-BK         | Bolt Plate                                   | 2   |
| 16       | 421-2045A1-BK         | Spacer/Adapter Bolt Plate for Hitch Mounting | 1   |
| 17       | 422-2678Y1            | Vacuum Gauge Bracket                         | 1   |
| 18       | 521-00-100255         | Vacuum Gauge Extension Assembly              | 1   |
| 19       | 727-01-HE0500-57-OS-Y | 500 Gallon Elliptical Tank—Yellow            | 1   |
| 20       | 525-3000              | 3" Tank Strap Kit                            | 3   |

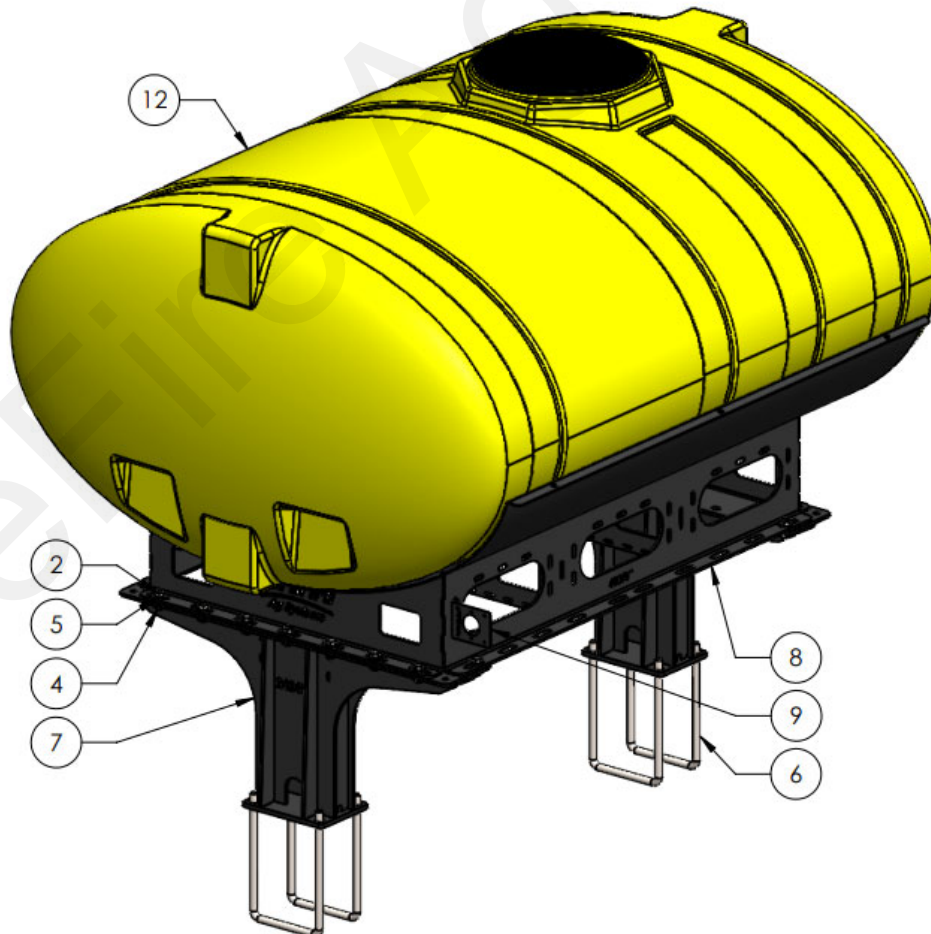




# Parts List and Exploded View

## Kit Number: 530-01-250550 (600 Gal)

| ITEM NO. | PART NUMBER           | DESCRIPTION                             | QTY. |
|----------|-----------------------|---|------|
| 1        | 300-060012-5          | 3/8" x 3/4" Hex Head Bolt - G5          | 2    |
| 2        | 300-100108-5          | 5/8" x 1-1/2" Hex Head Bolt - G5        | 18   |
| 3        | 323-06                | 3/8" Flange Nut                         | 2    |
| 4        | 323-10                | 5/8" Flange Nut                         | 18   |
| 5        | 330-10                | 5/8" Flat Washer                        | 18   |
| 6        | 380-1066              | 3/4" U-bolt Kit - fits 8" x 12" tube    | 4    |
| 7        | 421-2424Y2            | 20" 600-750 Gallon Tank Pedestal        | 2    |
| 8        | 421-4105Y1            | 600 Gallon Elliptical Cradle            | 1    |
| 9        | 422-2678Y1            | Bracket for Vacuum Gauge on JD Planters | 1    |
| 10       | 521-01-100255         | John Deere CCS Gauge Extension Assembly | 1    |
| 11       | 525-750               | 3" 600/750 Gallon Tank Strap Kit        | 3    |
| 12       | 727-01-HE0600-64-CS-Y | Elliptical Tank - 500 Gal - Yellow      | 1    |

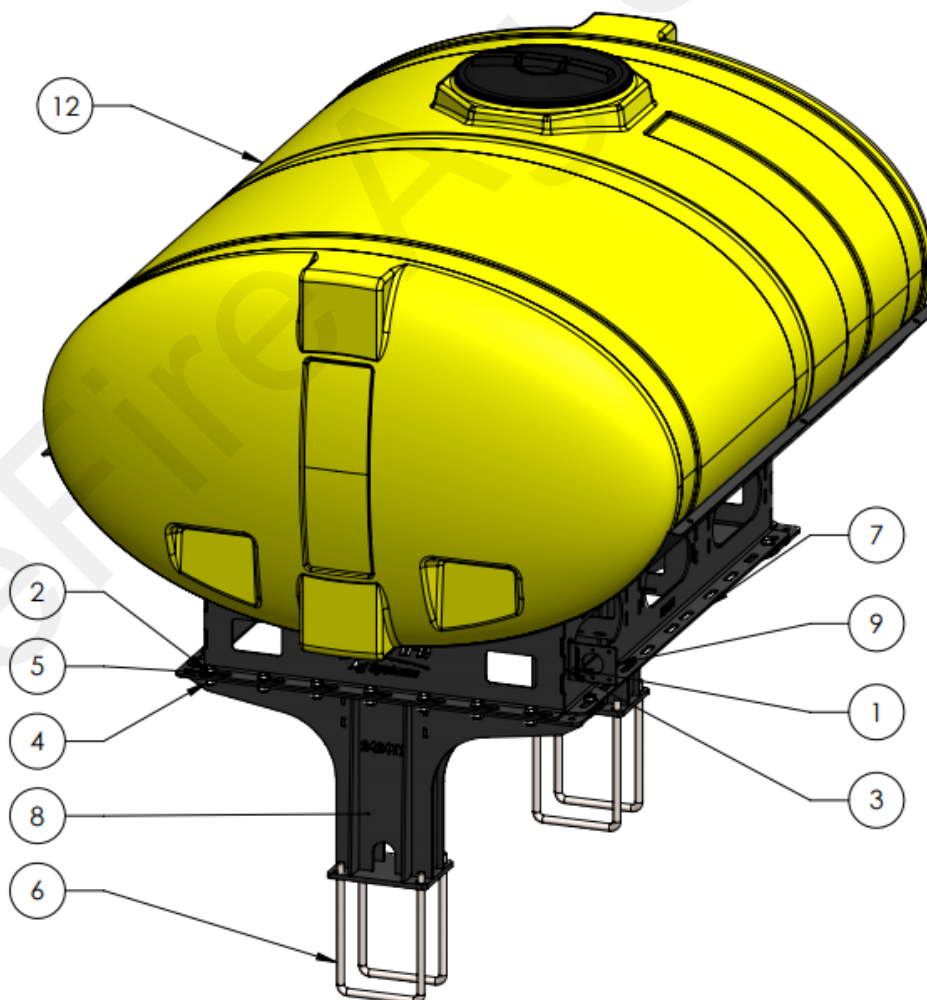




# Parts List and Exploded View

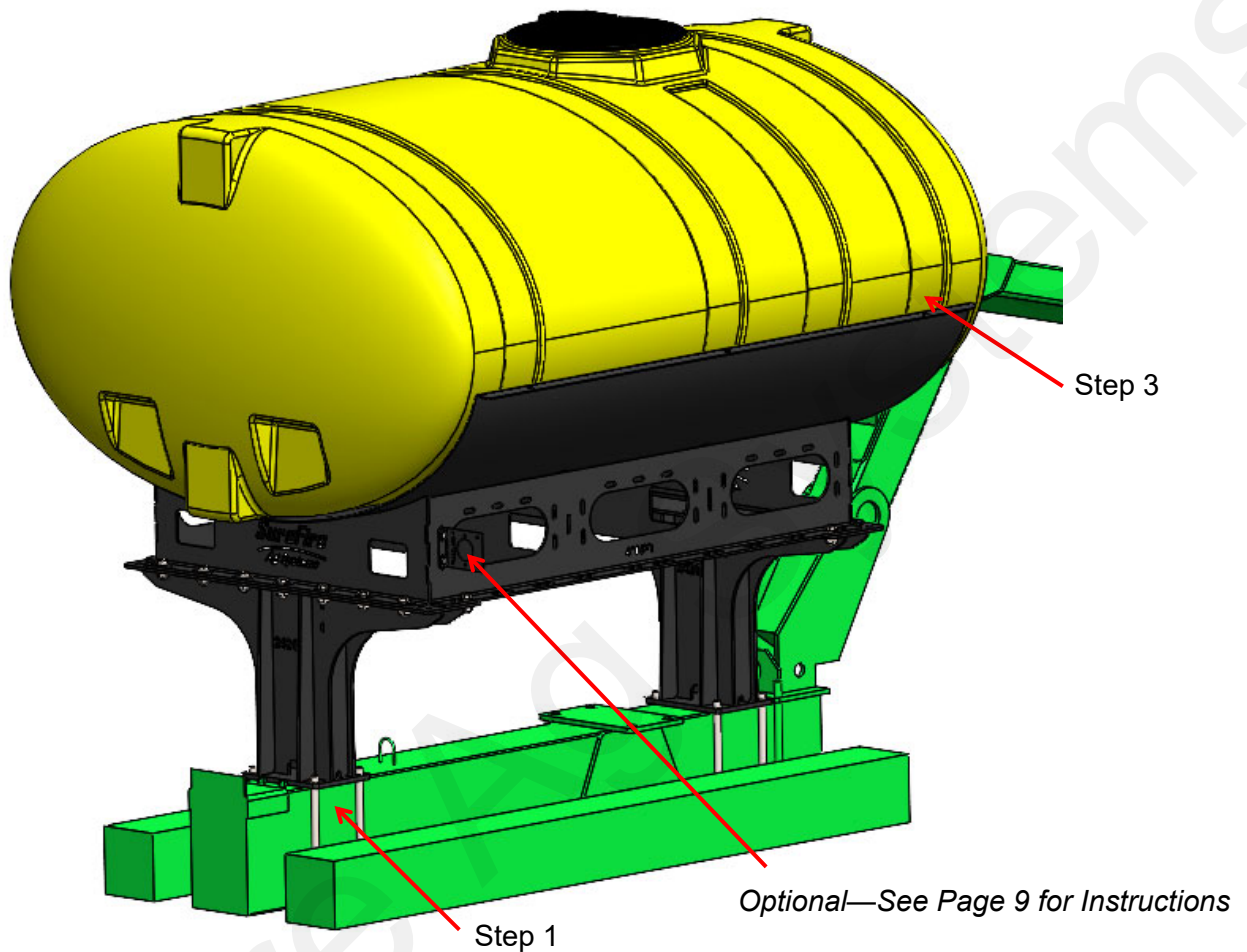
## Kit Number: 530-01-250600 (750 Gal)

| ITEM NO. | PART NUMBER           | DESCRIPTION                             | QTY. |
|----------|-----------------------|---|------|
| 1        | 300-060012-5          | 3/8" x 3/4" Hex Head Bolt - G5          | 2    |
| 2        | 300-100108-5          | 5/8" x 1-1/2" Hex Head Bolt - G5        | 18   |
| 3        | 323-06                | 3/8" Flange Nut                         | 2    |
| 4        | 323-10                | 5/8" Flange Nut                         | 18   |
| 5        | 330-10                | 5/8" Flat Washer                        | 18   |
| 6        | 380-1066              | 3/4" U-bolt Kit - fits 8" x 12" tube    | 4    |
| 7        | 421-2424Y2            | 20" 600-750 Gallon Tank Pedestal        | 2    |
| 8        | 421-2364Y1            | 750 Gallon Elliptical Tank Cradle       | 1    |
| 9        | 422-2678Y1            | Bracket for Vacuum Gauge on JD Planters | 1    |
| 10       | 521-00-100255         | John Deere CCS Gauge Extension Assembly | 1    |
| 11       | 525-750               | 3" 600/750 Gallon Tank Strap Kit        | 3    |
| 12       | 727-01-HE0750-69-OS-Y | 750 Gallon Elliptical Tank              | 1    |





# Step by Step Instructions



## **General Tank Mounting Instructions:**

*\*It is recommended to remove existing vacuum gauge prior to tank installation and installation of new vacuum gauge bracket. See Page 6 for further instructions.*

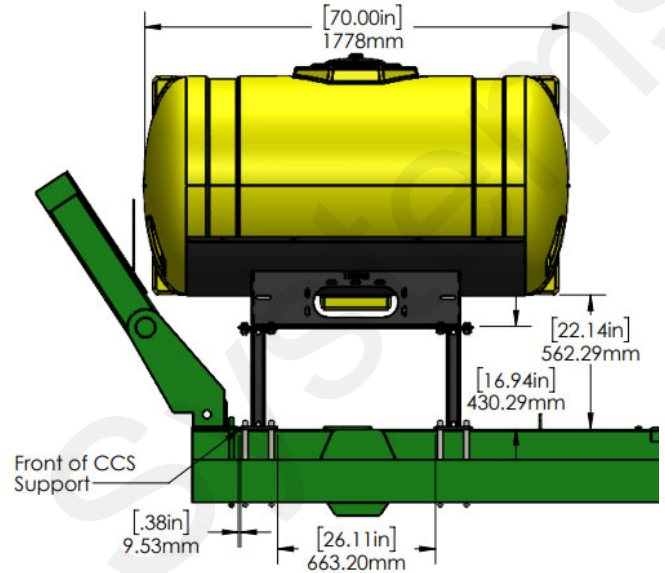
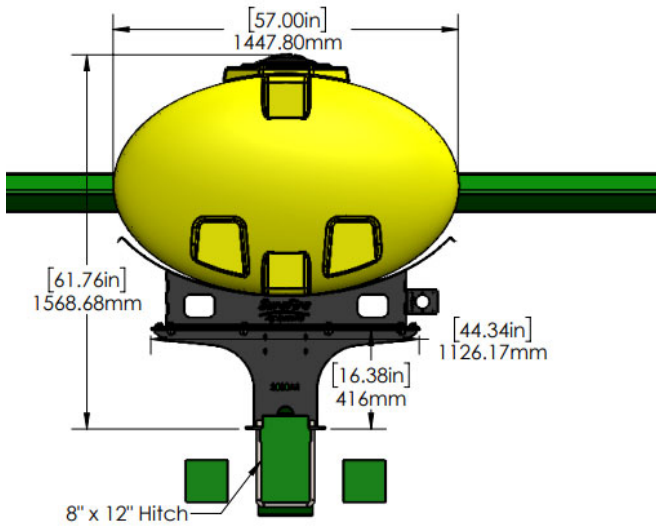
1. Position support stands per planter model on the following drawings. Loosely attach support stand with 3/4" u-bolts.
2. Place tank cradle on support stands. Bolt loosely with 5/8" bolts. *(Tip: 500 gallon tank cradle can be mounted with sump forward or rearward.)*
3. Install tank and secure with straps. *(This step may have already been completed)*
4. Inspect tank and tank brackets for interference and tighten all bolts.
5. Tighten straps again after the tank has been filled.

**NOTE: REFER TO THE FOLLOWING PAGES FOR SPECIFIC INSTALLATION GUIDES.**

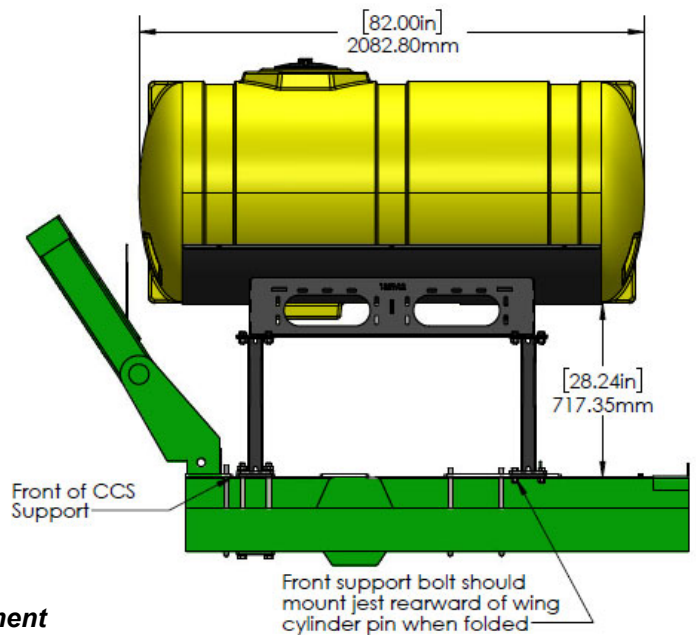
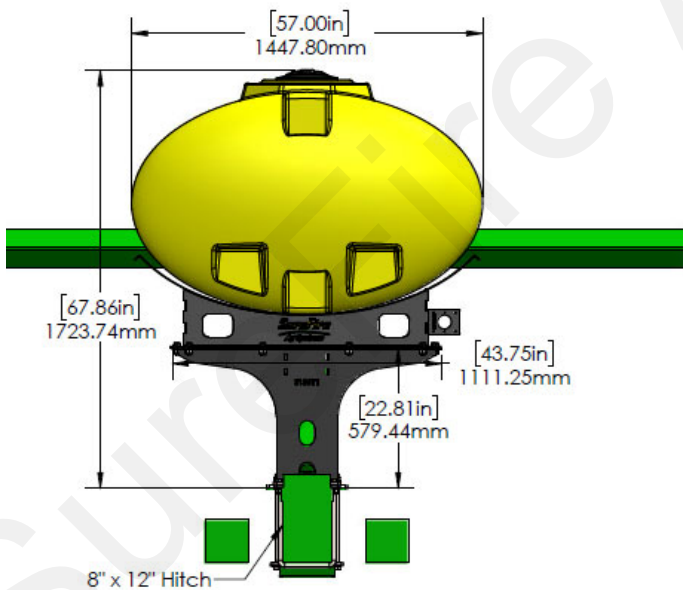


# Tank Installation Guide

→  
Front of Implement



## 400 Gallon on JD 1770NT/1775NT 16R30 -NO Refuge Tank, w/ or w/o markers



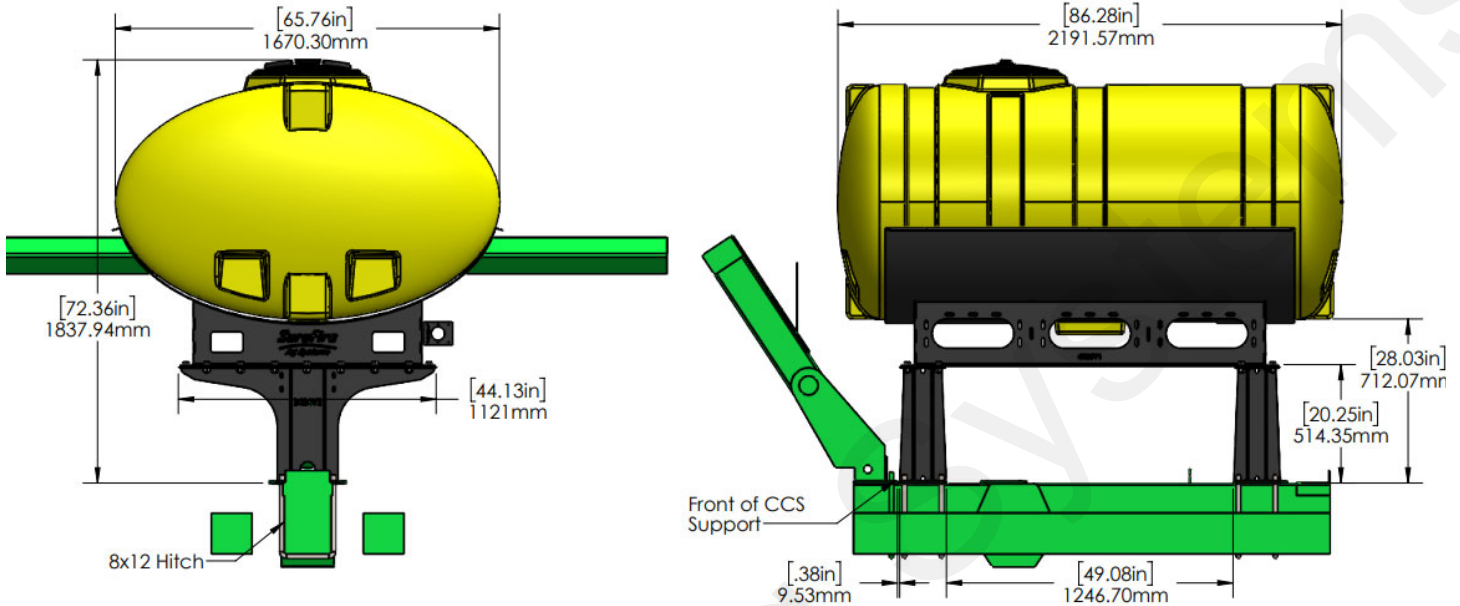
→  
Front of Implement

## 500 Gallon on JD 1770NT/1775NT 16R30 -NO Refuge Tank, w/ or w/o markers

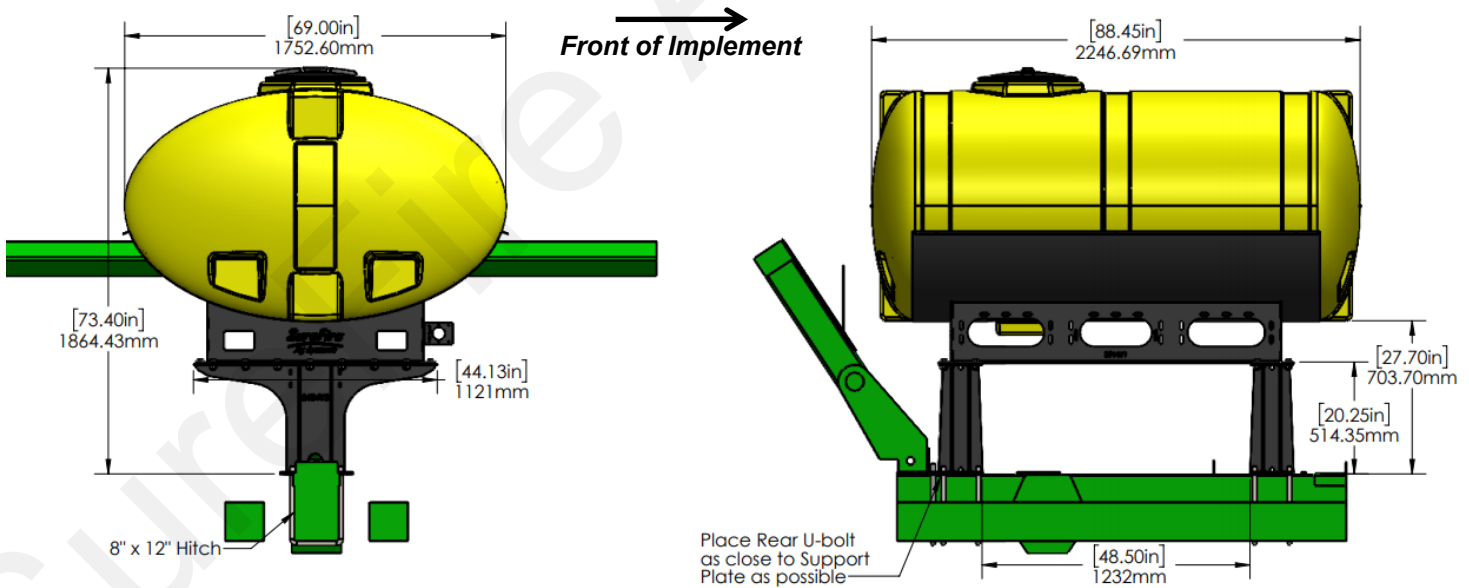


# Tank Installation Guide

→  
Front of Implement



## 600 Gallon on JD 1770NT/1775NT 16R30 -NO Refuge Tank, w/ or w/o markers



## 700 Gallon on JD 1770NT/1775NT 16R30 -NO Refuge Tank, w/ or w/o markers





# Optional Vacuum Gauge Bracket Installation Instructions

**The CCS vacuum gauge must be moved so it can be seen with the tank installed.**

**Instructions:**

1. Mount 422-2678Y1 gauge bracket to the front of the tank cradle using 3/8" bolts and flange nuts. (Shown Below)
2. Remove gauge from current mount and mount vacuum gauge to new bracket using existing hardware.
3. Use 1/4" hose mender and 3/8" OD poly tubing (P/N 521-00-100255) to extend vacuum tubing to relocated vacuum gauge.

