



# 396-001310

## John Deere 1770/1775NT

### 40 Ft - 16 Row

### Hitch Mounted Tank Instructions

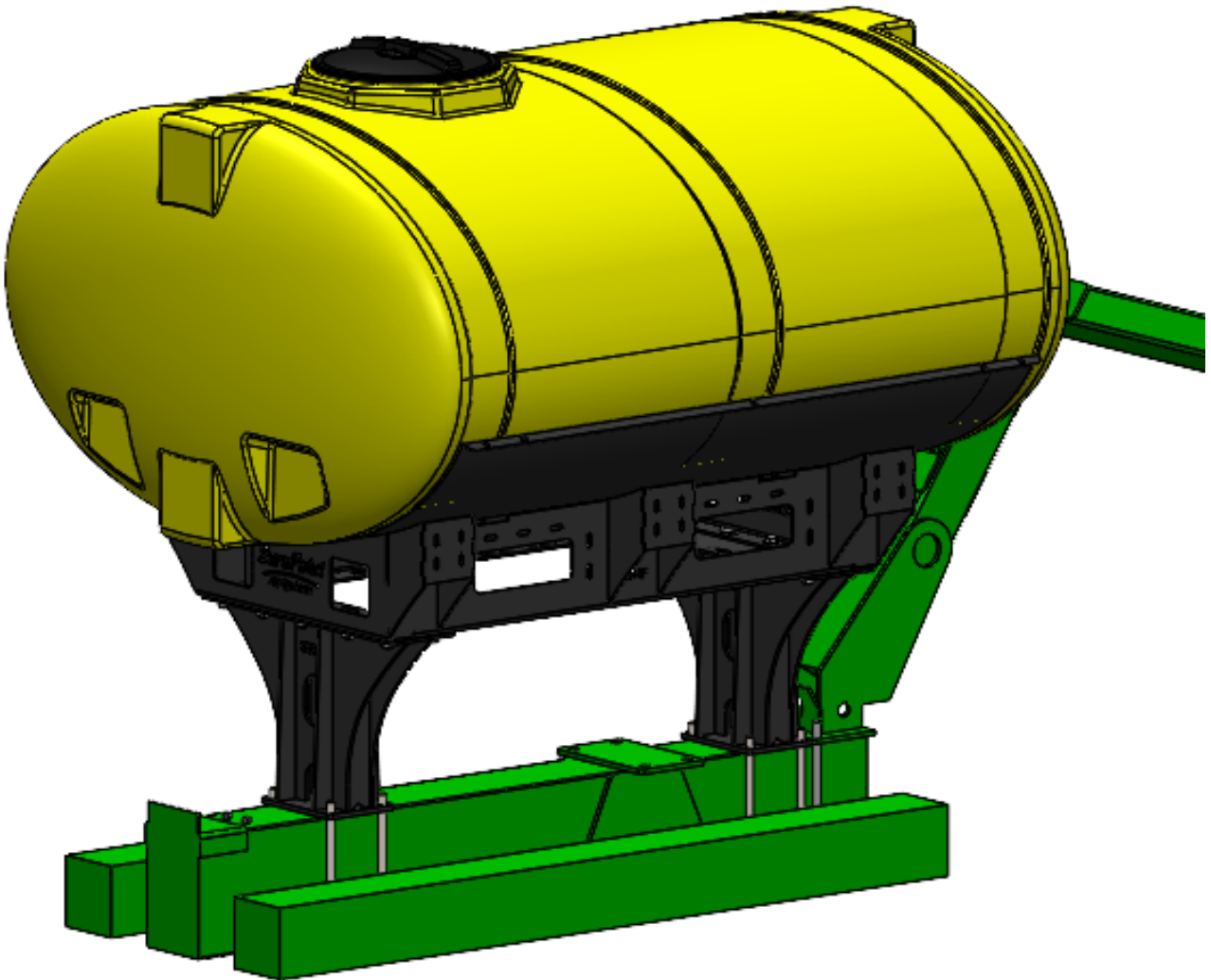
**Kit Number:**

**530-01-255400: 400 Gallon Elliptical Tank Kit**

**530-01-255500: 500 Gallon Elliptical Tank Kit**

**530-01-255550: 600 Gallon Elliptical Tank Kit**

**530-01-255600: 750 Gallon Elliptical Tank Kit**





# SurePoint Ag Systems Fertilizer Tank Safety and Warnings



SurePoint Ag Systems does not recommend transporting your implement with full fertilizer tanks. Doing so can result in damage to brackets and implement.



Remember to wear proper PPE (*Personal Protective Equipment*) when installing SurePoint Ag Systems fertilizer tank kits. Proper PPE includes gloves, foot and eye protection, and hearing protection.



SurePoint Ag Systems fertilizer application systems require winterization when not in use. Refer to your product manual for winterization procedures.

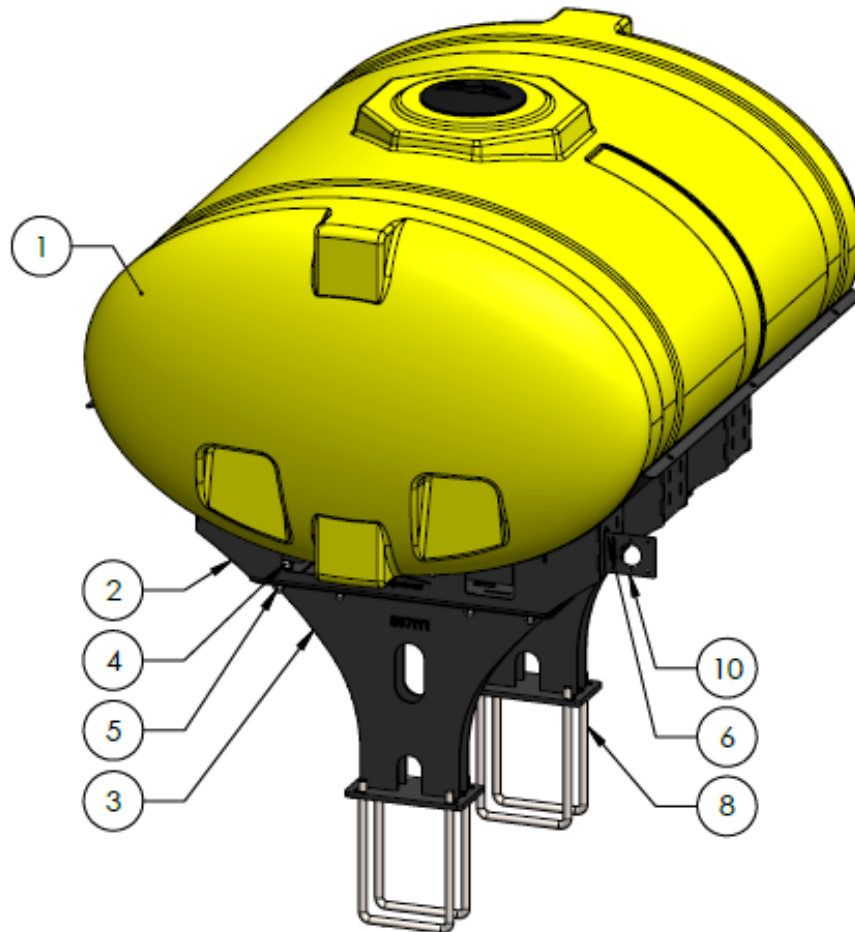
**Failure to follow the above warnings can result in personal injury, damage to your SurePoint Ag Systems products, and damage to your implement.**



# Parts List and Exploded View

## Kit Number: 530-01-255400 (400 Gal)

ITEM NO.	PART NUMBER	DESCRIPTION	QTY.
1	727-01-HE0400-57-Y	Elliptical Tank - 400 Gal - Yellow	1
2	421-6516Y1	400 Gallon Elliptical Tank Cradle (New Design)	1
3	421-6571Y1	20" Light Duty Tank Pedestal	2
4	307-100108-5	Flange Head Bolt, 5/8" x 1-1/2" - G5	12
5	325-10	5/8" Top Lock Hex Flange Nut	12
6	300-060012-5	3/8" x 3/4" Hex Head Bolt - G5	2
7	323-06	3/8" Flange Nut	2
8	380-1066	3/4" U-Bolt Kit - fits 8" x 12" Tube - (8" Opening)	4
9	525-3000	Tank Strap Kit, 3" Wide, 400-750 Gallon	2
10	422-2678Y1	Bracket for Vacuum Gauge on JD Planters	1
11	521-00-100255	JD Vacuum Gauge Extension Assembly	1
12	280-100-AG200	1" AG200 Bulk	10'
13	521-00-100285	Tank Overflow Assembly Bag for 400-750 Gal Tanks	1

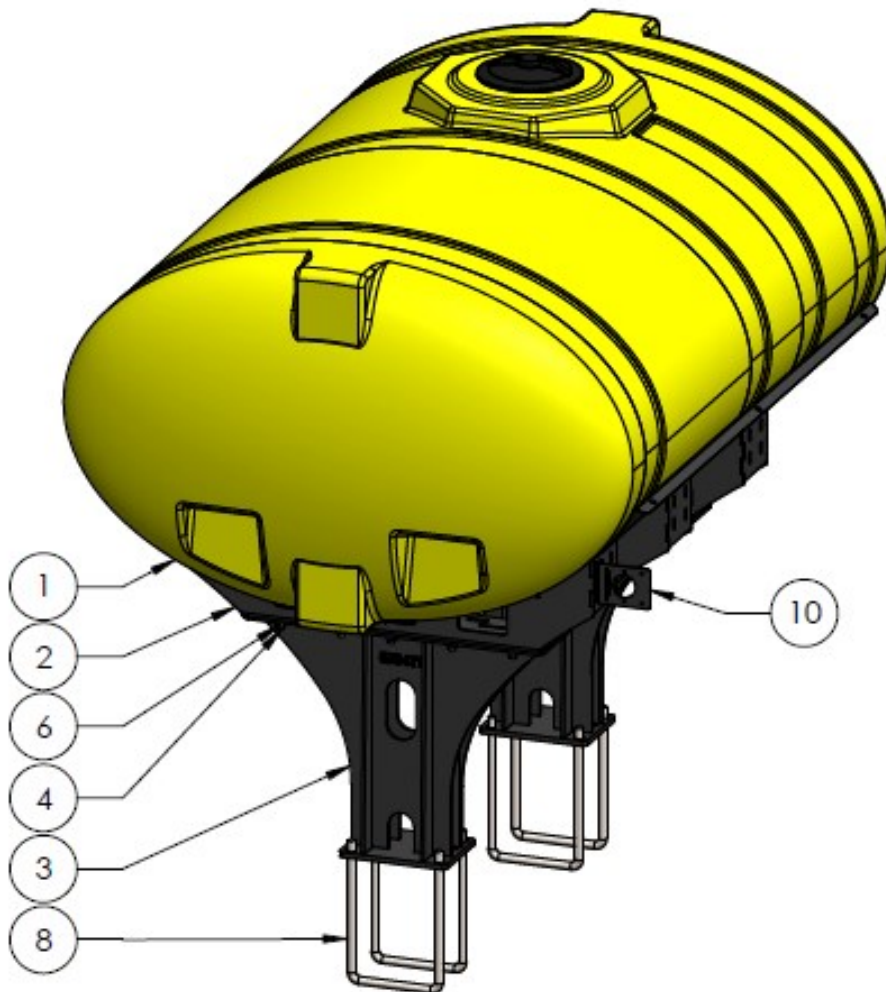




# Parts List and Exploded View

## Kit Number: 530-01-255500 (500 Gal)

ITEM NO.	PART NUMBER	DESCRIPTION	QTY.
1	727-01-HE0500-57-CS-Y	500 Gallon Elliptical Tank	1
2	421-5638Y1-BK	500 Gallon Elliptical Tank Cradle	1
3	421-5704Y1-BK	22" Tank Pedestal	2
4	307-100108-5	5/8" x 1-1/2" Flange Head Bolt - G5	14
5	300-060012-5	3/8" x 3/4" Hex Head Bolt - G5	2
6	325-10	5/8" Top Lock Flange Nut	14
7	323-06	3/8" Serrated Flange Nut	2
8	380-1066	3/4" U-bolt Kit - fits 8" x 12" tube	4
9	525-3000	Tank Straps, 3" Kit, 400-750 Gallon	3
10	422-2678Y1	Bracket for Vacuum Gauge on JD Planters	1
11	521-01-100255	John Deere CCS Gauge Extension Assembly	1

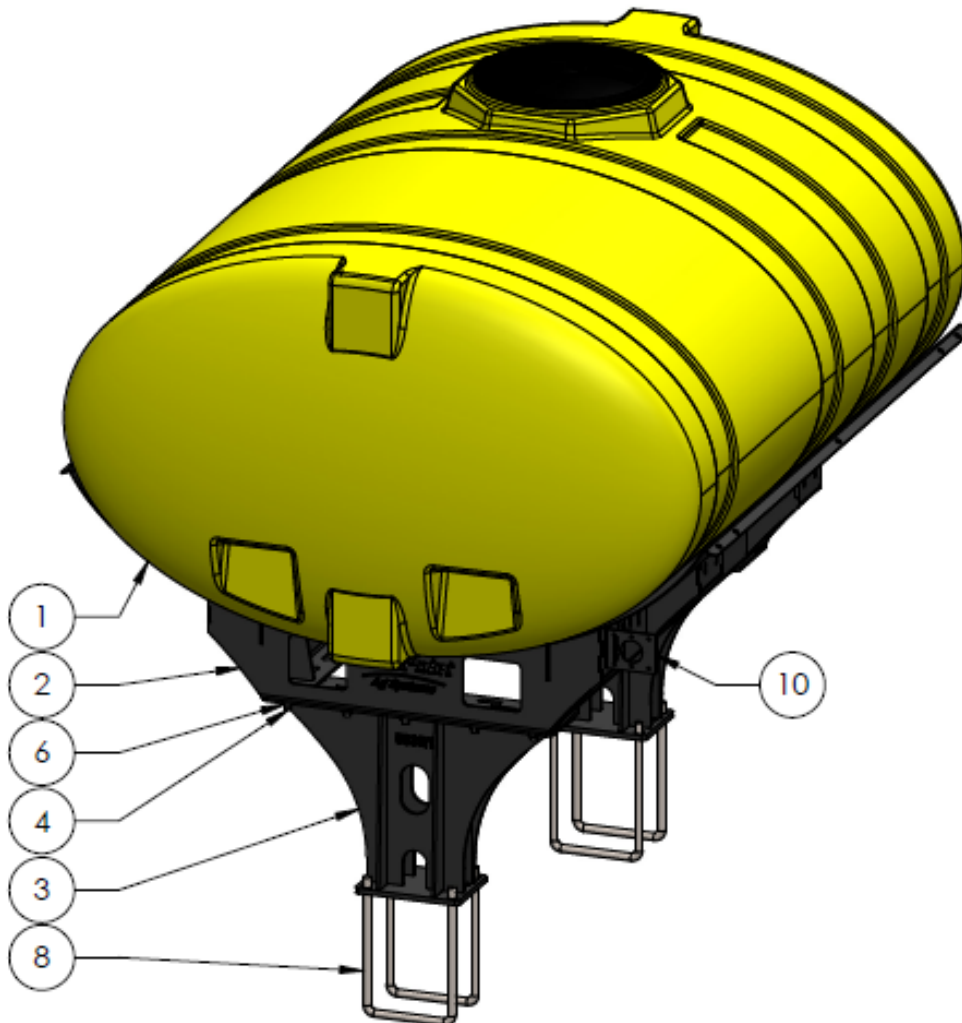




# Parts List and Exploded View

## Kit Number: 530-01-255550 (600 Gal)

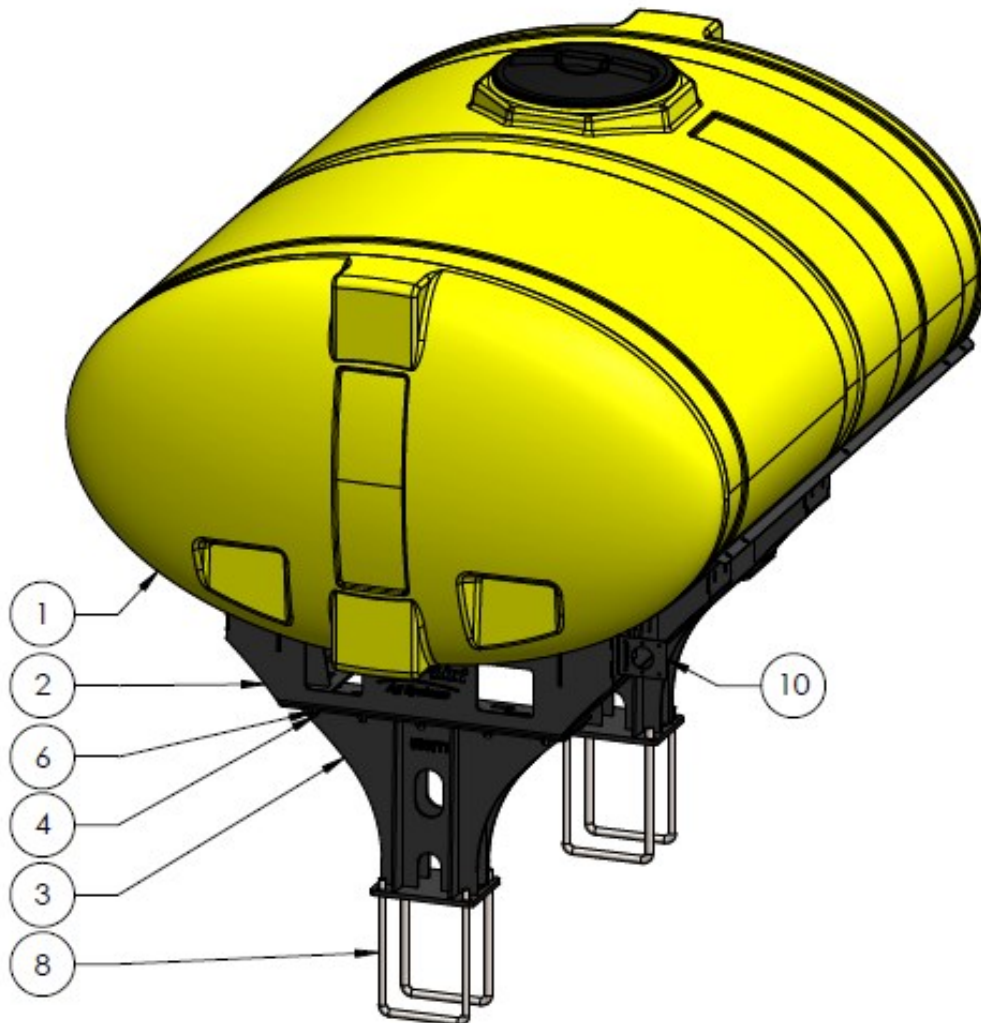
ITEM NO.	PART NUMBER	DESCRIPTION	QTY.
1	727-01-HE0600-64-CS-Y	600 Gallon Elliptical Tank	1
2	421-5321Y1-BK	600/750 Gallon Elliptical Tank Cradle	1
3	421-5331Y1-BK	18" Tank Pedestal	2
4	307-100108-5	5/8" x 1-1/2" Flange Head Bolt - G5	14
5	300-060012-5	3/8" x 3/4" Hex Head Bolt - G5	2
6	325-10	5/8" Top Lock Flange Nut	14
7	323-06	3/8" Serrated Flange Nut	2
8	380-1066	3/4" U-bolt Kit - fits 8" x 12" tube	4
9	525-3000	Tank Straps, 3" Kit, 400-750 Gallon	3
10	422-2678Y1	Bracket for Vacuum Gauge on JD Planters	1
11	521-01-100255	John Deere CCS Gauge Extension Assembly	1





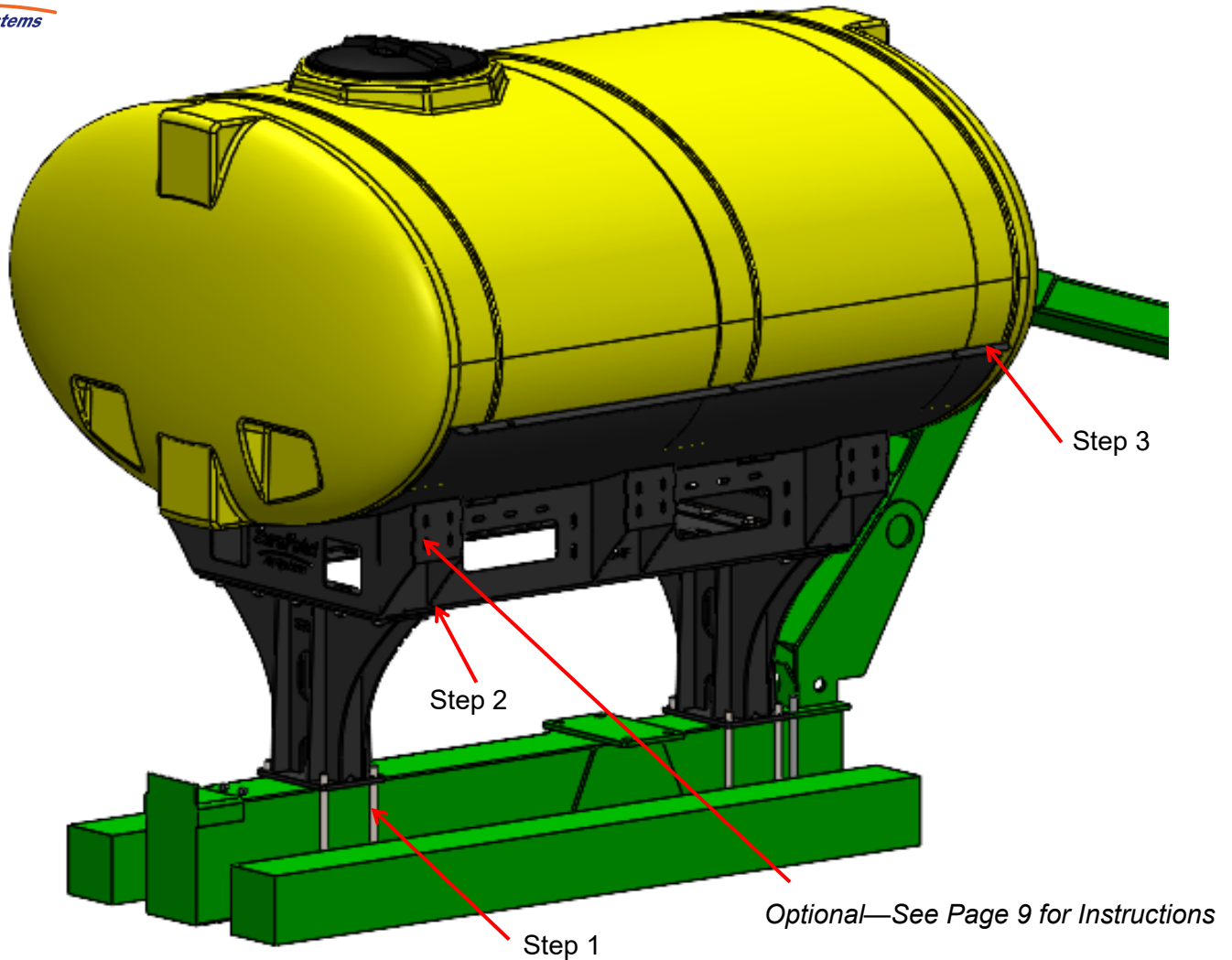
# Parts List and Exploded View Kit Number: 530-01-255600 (750 Gal)

ITEM NO.	PART NUMBER	DESCRIPTION	QTY.
1	727-01-HE0750-69-OS-Y	750 Gallon Elliptical Tank	1
2	421-5321Y1-BK	600/750 Gallon Elliptical Tank Cradle	1
3	421-5331Y1-BK	18" Tank Pedestal	2
4	307-100108-5	5/8" x 1-1/2" Flange Head Bolt - G5	14
5	300-060012-5	3/8" x 3/4" Hex Head Bolt - G5	2
6	325-10	5/8" Top Lock Flange Nut	14
7	323-06	3/8" Serrated Flange Nut	2
8	380-1066	3/4" U-bolt Kit - fits 8" x 12" tube	4
9	525-3000	Tank Straps, 3" Kit, 400-750 Gallon	3
10	422-2678Y1	Bracket for Vacuum Gauge on JD Planters	1
11	521-01-100255	John Deere CCS Gauge Extension Assembly	1





# Step by Step Instructions



## **General Tank Mounting Instructions:**

*\*It is recommended to remove existing vacuum gauge prior to tank installation and installation of new vacuum gauge bracket. See Page 6 for further instructions.*

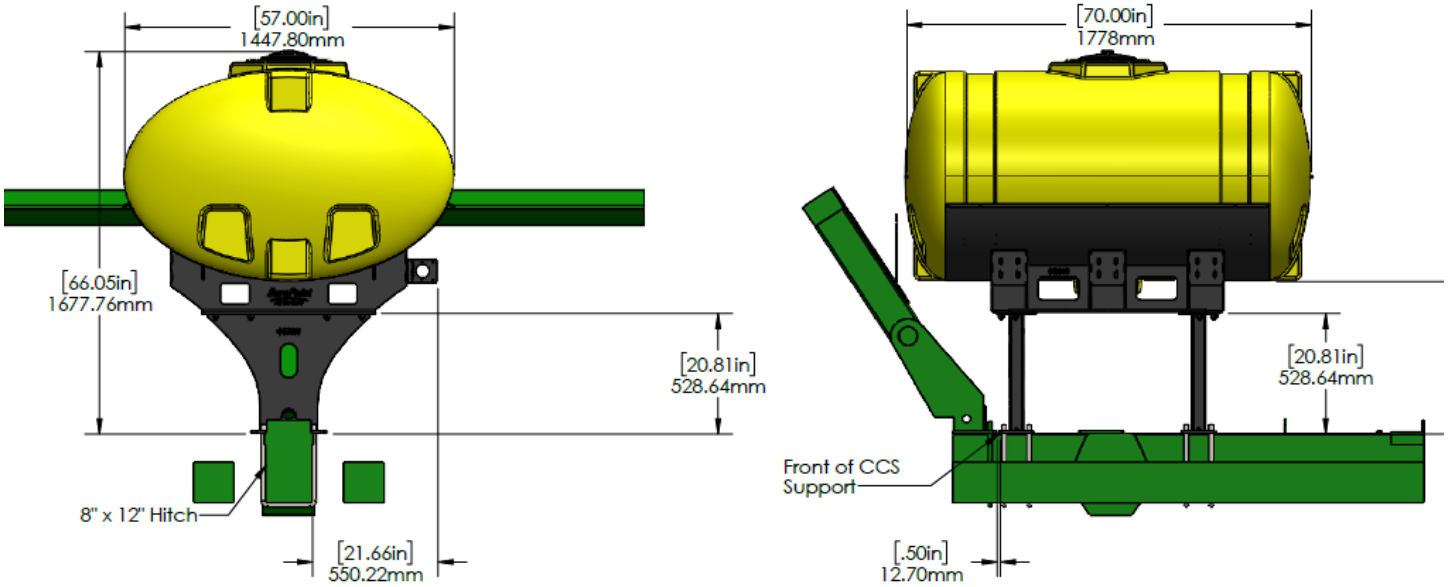
1. Position support stands per planter model on the following drawings. Loosely attach support stand with 3/4" u-bolts.
2. Place tank cradle on support stands. Bolt loosely with 5/8" bolts. *(Tip: 500 gallon tank cradle can be mounted with sump forward or rearward.)*
3. Install tank and secure with straps. *(This step may have already been completed)*
4. Inspect tank and tank brackets for interference and tighten all bolts.
5. Tighten straps again after the tank has been filled.

**NOTE: REFER TO THE FOLLOWING PAGES FOR SPECIFIC INSTALLATION GUIDES.**

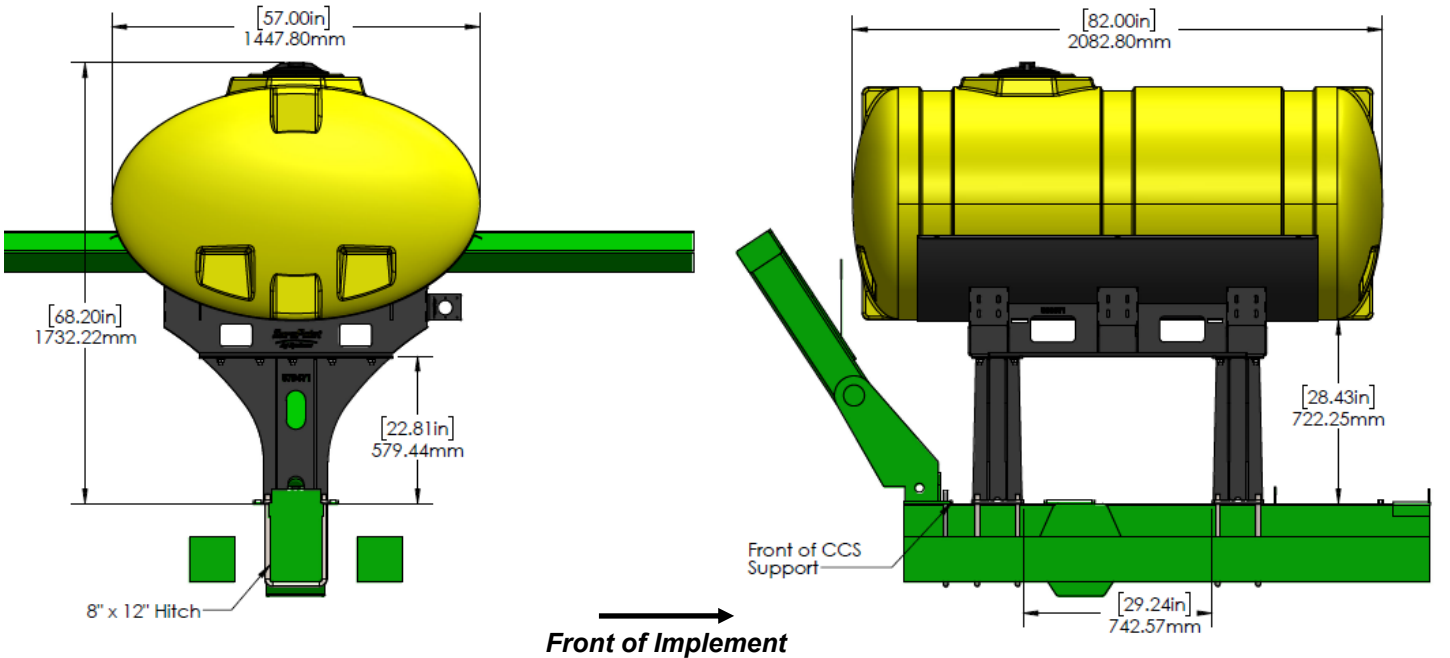


# Tank Installation Guide

→  
Front of Implement



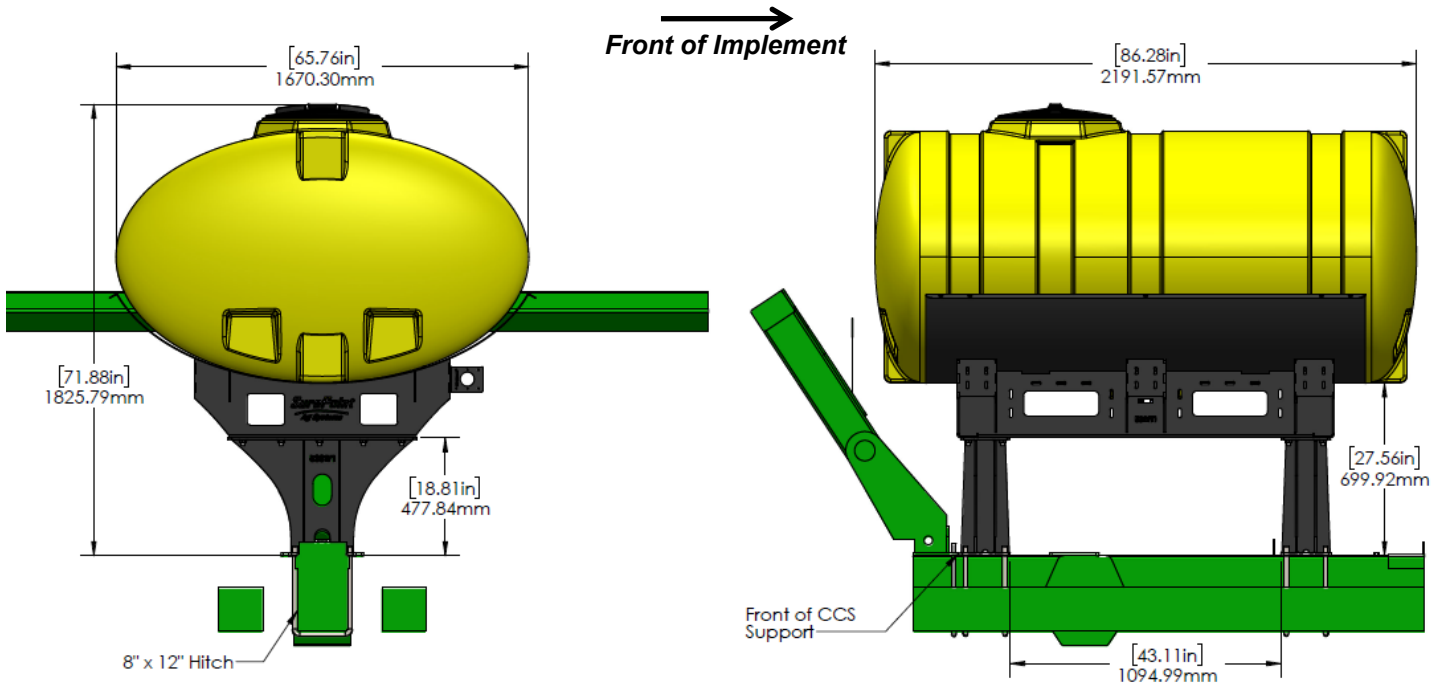
## 400 Gallon on JD 1770NT/1775NT 16R30 -NO Refuge Tank, w/ or w/o markers



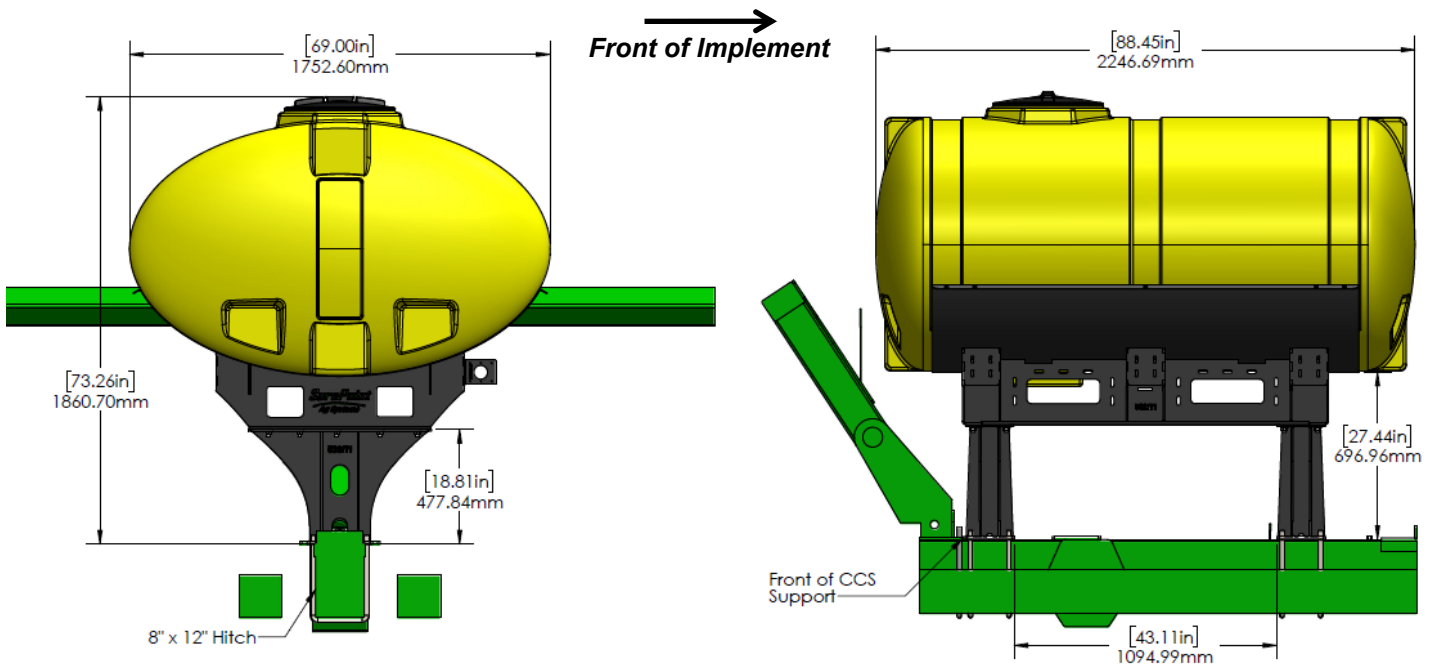
## 500 Gallon on JD 1770NT/1775NT 16R30 -NO Refuge Tank, w/ or w/o markers



# Tank Installation Guide



## 600 Gallon on JD 1770NT/1775NT 16R30 -NO Refuge Tank, w/ or w/o markers



## 750 Gallon on JD 1770NT/1775NT 16R30 -NO Refuge Tank, w/ or w/o markers

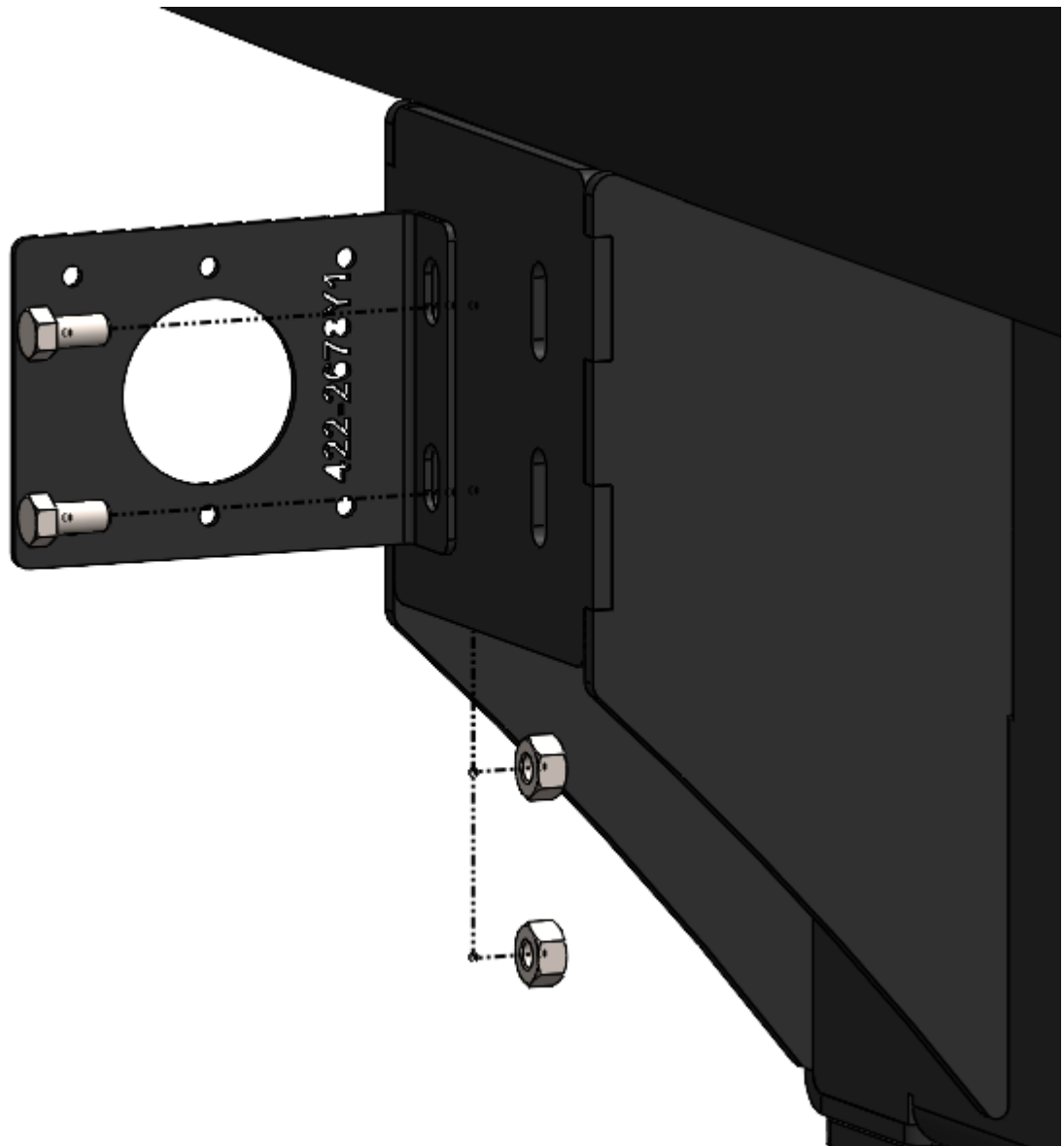


# Optional Vacuum Gauge Bracket Installation Instructions

**The CCS vacuum gauge must be moved so it can be seen with the tank installed.**

**Instructions:**

1. Mount 422-2678Y1 gauge bracket to the front of the tank cradle using 3/8" bolts and flange nuts. (Shown Below)
2. Remove gauge from current mount and mount vacuum gauge to new bracket using existing hardware.
3. Use 1/4" hose mender and 3/8" OD poly tubing (P/N 521-00-100255) to extend vacuum tubing to relocated vacuum gauge.





# Hydraulic Cylinder Depth Stops for Marker Clearance

If you have a planter with markers, you may have to use Hydraulic cylinder depth stops so the markers will clear your tank. If you have any marker clearance issues, these depth stops will need to be purchased from your local John Deere dealership. Follow the step-by-step instructions below to install your depth stop kit.

1. After the install of your tank kit, determine the extra marker clearance needed to clear the tank. The PM30098 Depth Stop Kit provides 4 depth stops of varying thicknesses: 3/4", 1", 1-1/4", and 1-1/2". You may use one, some, or all of these stops to get the proper clearance from your tank.
2. Open the planter and set the planter to "Plant" mode. Lay the markers out and place the necessary depth stops on the cylinder rods.
3. Retract the markers and fold the planter carefully. Your markers may not clear the tank on the first try. When folding the planter, watch the marker clearance carefully and adjust marker stops as necessary for your application.

**John Deere Hydraulic  
Cylinder Depth Stop Kit  
Part Number: PM30098**



**Place depth stops here:**