



396-001310

John Deere 1770/1775NT

40 Ft - 16 Row

Hitch Mounted Tank Instructions

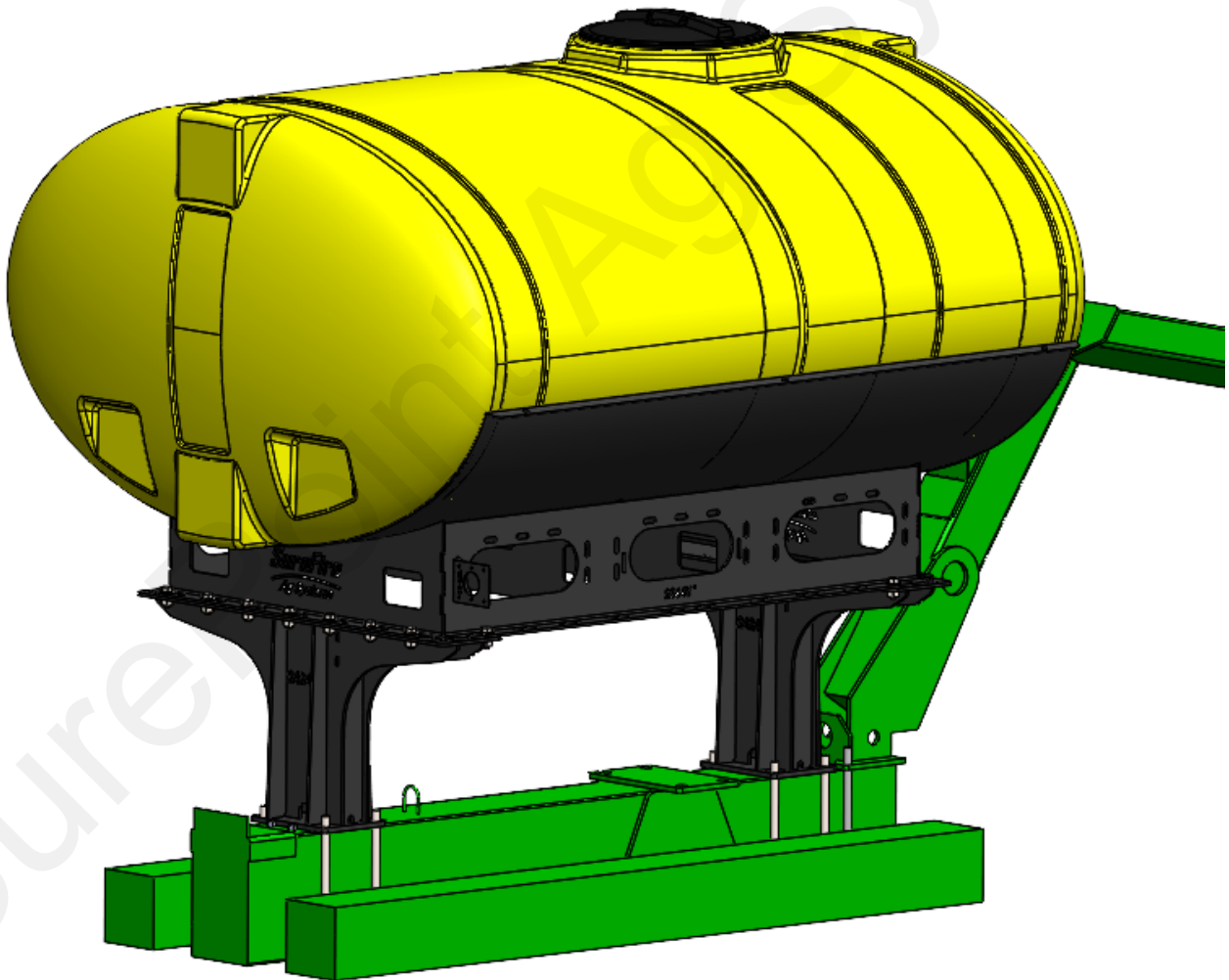
Kit Number:

530-01-250400: 400 Gallon Elliptical Tank Kit

530-01-250500: 500 Gallon Elliptical Tank Kit

530-01-250550: 600 Gallon Elliptical Tank Kit

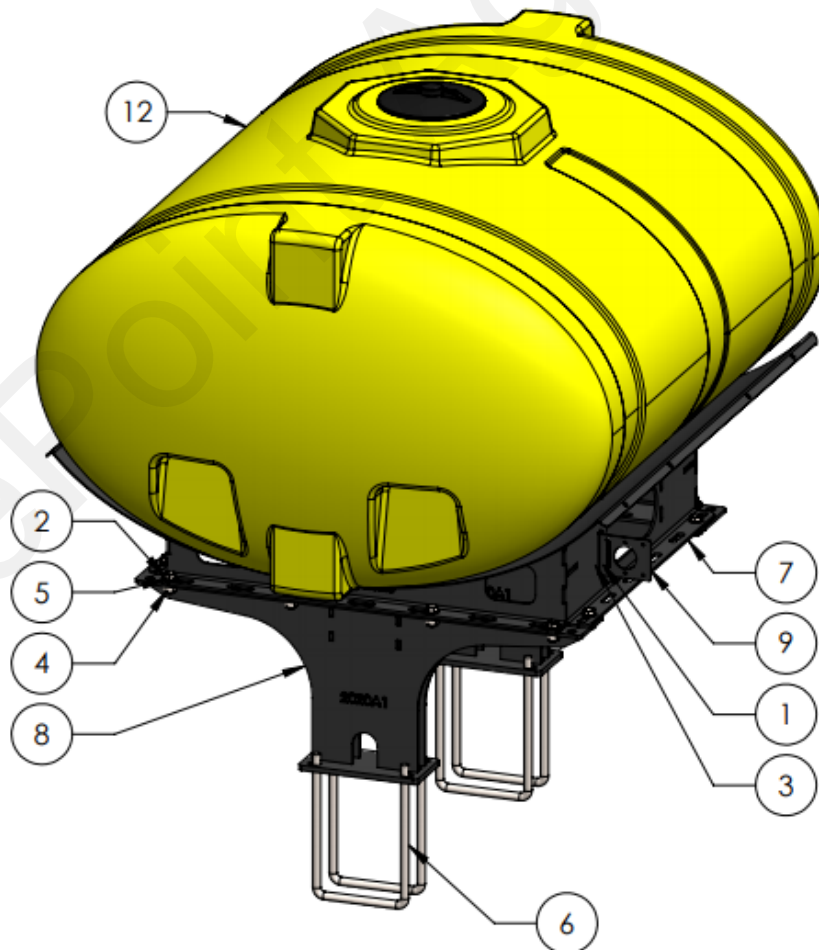
530-01-250600: 750 Gallon Elliptical Tank Kit





Parts List and Exploded View Kit Number: 530-01-250400 (400 Gal)

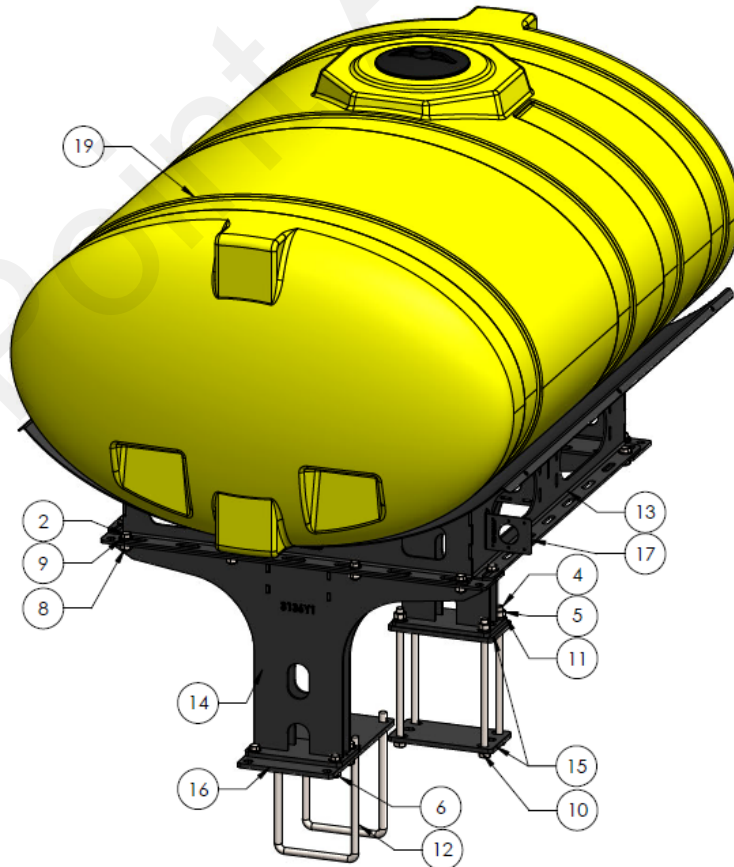
ITEM NO.	PART NUMBER	DESCRIPTION	QTY.
1	300-060012-5	3/8" x 3/4" Hex Head Bolt - G5	2
2	300-100108-5	5/8" x 1-1/2" Hex Head Bolt - G5	12
3	323-06	3/8" Flange Nut	2
4	323-10	5/8" Flange Nut	12
5	330-10	5/8" Flat Washer	12
6	380-1066	3/4" U-Bolt Kit - Fits 8"x12" tube	4
7	421-1333A2-BK	400 Gallon Elliptical Cradle	1
8	421-2020Y1-BK	Hitch Mount Tank Pedestal	2
9	422-2678Y1	Bracket for Vacuum Gauge on JD Planters	1
10	521-00-100255	John Deere CCS Gauge Extension Assembly	1
11	525-3000	3" Tank Strap Kit for 400-1000 Gallon	2
12	727-01-HE0400-57-Y	Elliptical Tank - 400 Gal - Yellow	1





Parts List and Exploded View Kit Number: 530-01-250500 (500 Gal)

ITEM NO.	PART NUMBER	DESCRIPTION	QTY
1	300-060012-5	3/8" x 3/4" Hex Head Bolt - G5	2
2	300-100108-5	5/8" x 1-1/2" Hex Head Bolt - G5	12
3	300-100200-5	5/8" x 2" Hex Head Bolt - G5	4
4	300-121500-5	3/4" x 15" Hex Head Bolt - G5	4
5	320-12	3/4" Nut G8	4
6	321-10	5/8" Nylock Nut	4
7	323-06	3/8" Flange Nut	2
8	323-10	5/8" Flange Nut	12
9	330-10	5/8" Flat Washer	20
10	330-12	3/4" Flat Washer G8	8
11	331-12	3/4" Lock Washer G8	4
12	380-1066	3/4" U-Bolt Kit - Fits 8" x 12" Tube	2
13	421-1329A2	500 Gallon Elliptical Cradle	1
14	421-3136Y1	22" Hitch Mount Tank Pedestal	2
15	421-2023A1-BK	Bolt Plate	2
16	421-2045A1-BK	Spacer/Adapter Bolt Plate for Hitch Mounting	1
17	422-2678Y1	Vacuum Gauge Bracket	1
18	521-00-100255	Vacuum Gauge Extension Assembly	1
19	727-01-HE0500-57-OS-Y	500 Gallon Elliptical Tank—Yellow	1
20	525-3000	3" Tank Strap Kit	3

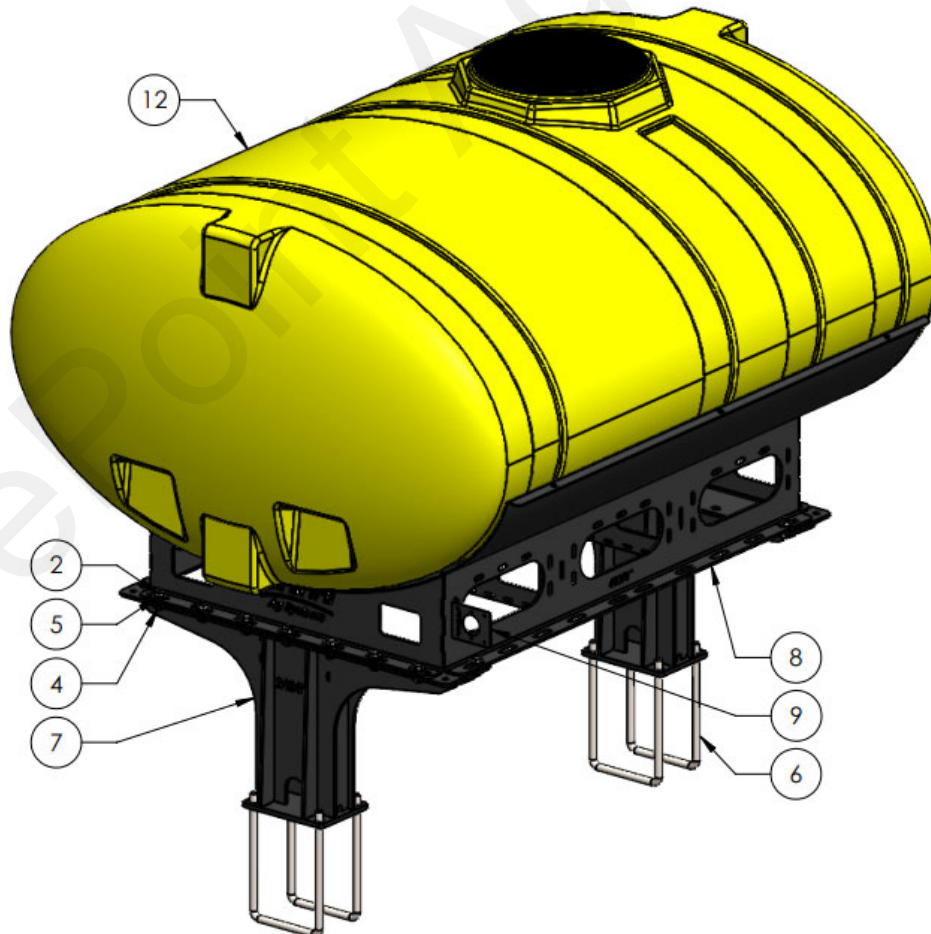




Parts List and Exploded View

Kit Number: 530-01-250550 (600 Gal)

ITEM NO.	PART NUMBER	DESCRIPTION	QTY.
1	300-060012-5	3/8" x 3/4" Hex Head Bolt - G5	2
2	300-100108-5	5/8" x 1-1/2" Hex Head Bolt - G5	18
3	323-06	3/8" Flange Nut	2
4	323-10	5/8" Flange Nut	18
5	330-10	5/8" Flat Washer	18
6	380-1066	3/4" U-bolt Kit - fits 8" x 12" tube	4
7	421-2424Y2	20" 600-750 Gallon Tank Pedestal	2
8	421-4105Y1	600 Gallon Elliptical Cradle	1
9	422-2678Y1	Bracket for Vacuum Gauge on JD Planters	1
10	521-01-100255	John Deere CCS Gauge Extension Assembly	1
11	525-750	3" 600/750 Gallon Tank Strap Kit	3
12	727-01-HE0600-64-CS-Y	Elliptical Tank - 500 Gal - Yellow	1

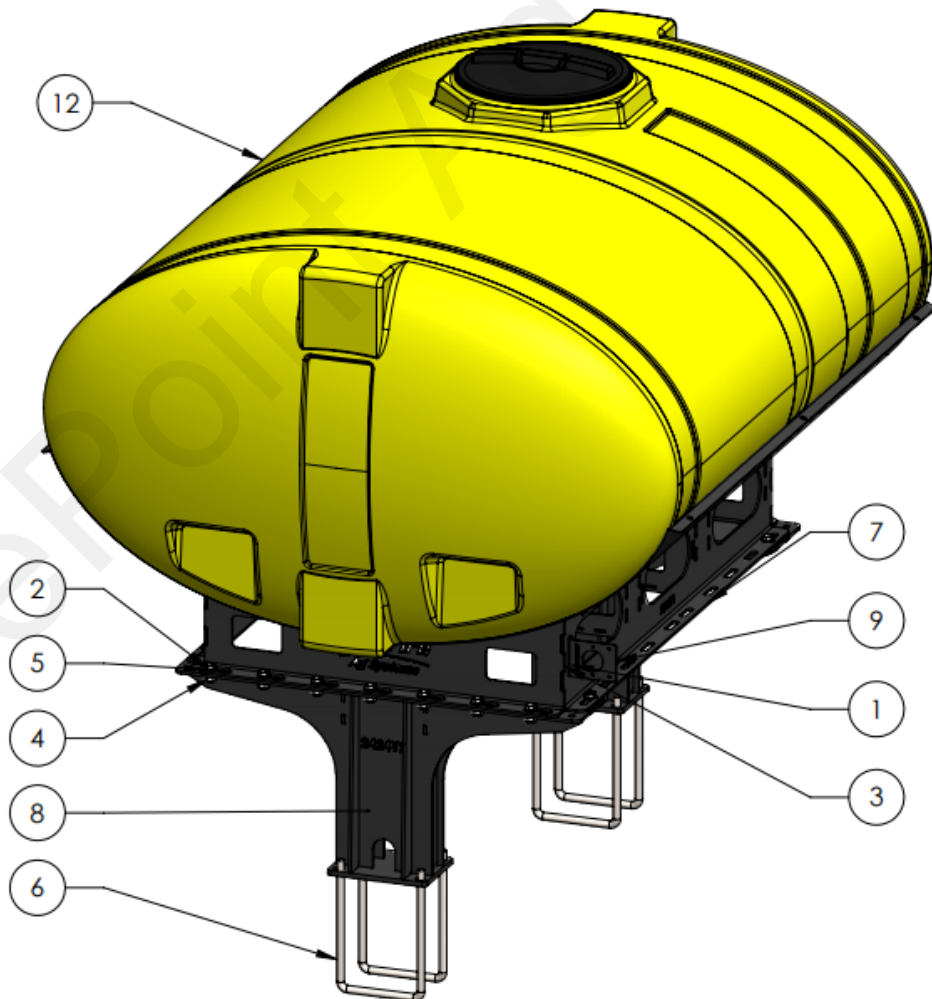




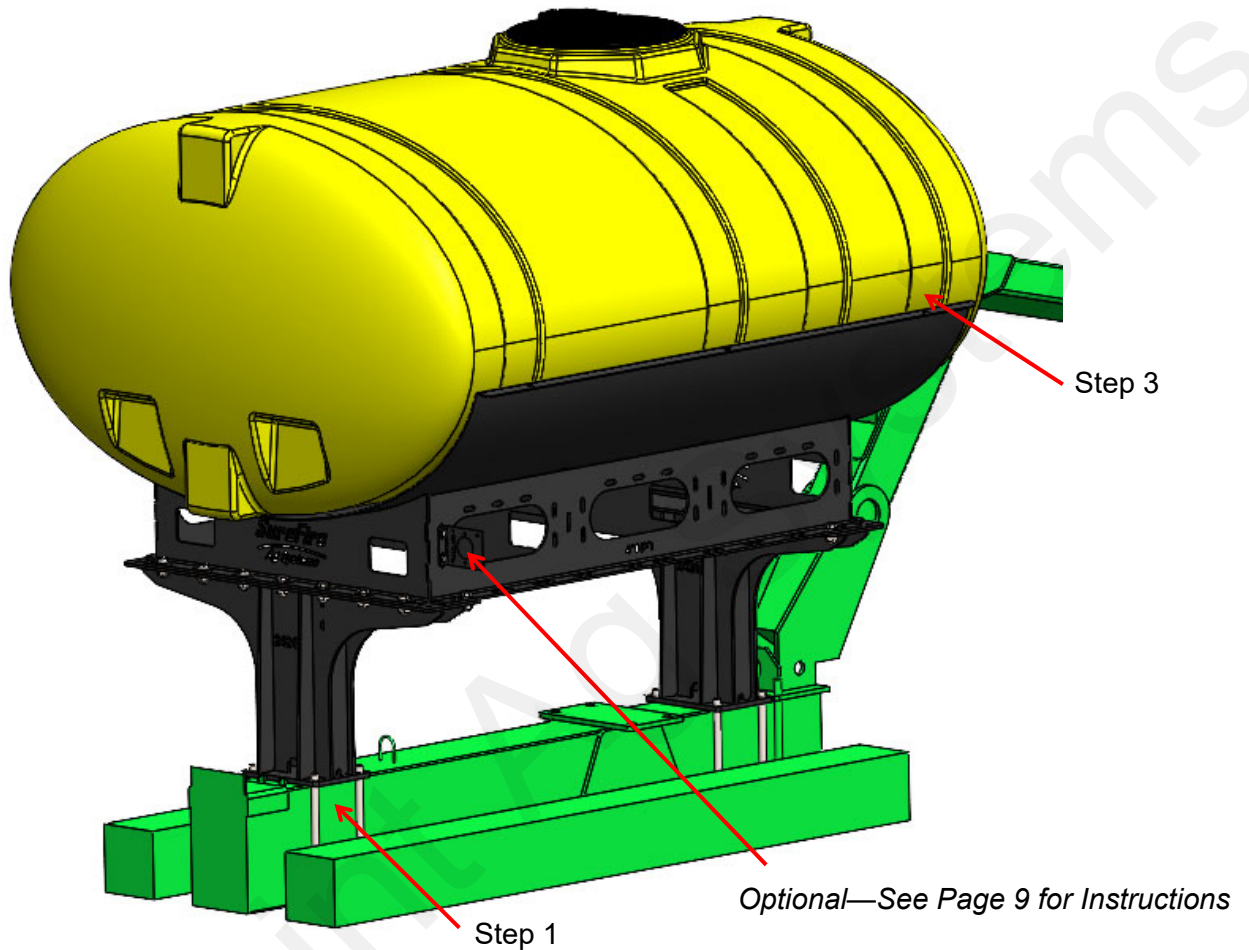
Parts List and Exploded View

Kit Number: 530-01-250600 (750 Gal)

ITEM NO.	PART NUMBER	DESCRIPTION	QTY.
1	300-060012-5	3/8" x 3/4" Hex Head Bolt - G5	2
2	300-100108-5	5/8" x 1-1/2" Hex Head Bolt - G5	18
3	323-06	3/8" Flange Nut	2
4	323-10	5/8" Flange Nut	18
5	330-10	5/8" Flat Washer	18
6	380-1066	3/4" U-bolt Kit - fits 8" x 12" tube	4
7	421-2424Y2	20" 600-750 Gallon Tank Pedestal	2
8	421-2364Y1	750 Gallon Elliptical Tank Cradle	1
9	422-2678Y1	Bracket for Vacuum Gauge on JD Planters	1
10	521-00-100255	John Deere CCS Gauge Extension Assembly	1
11	525-750	3" 600/750 Gallon Tank Strap Kit	3
12	727-01-HE0750-69-OS-Y	750 Gallon Elliptical Tank	1



Step by Step Instructions



General Tank Mounting Instructions:

**It is recommended to remove existing vacuum gauge prior to tank installation and installation of new vacuum gauge bracket. See Page 6 for further instructions.*

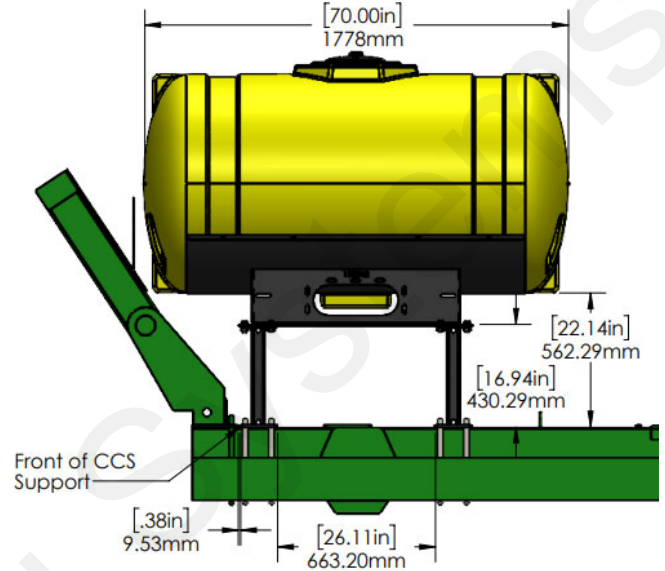
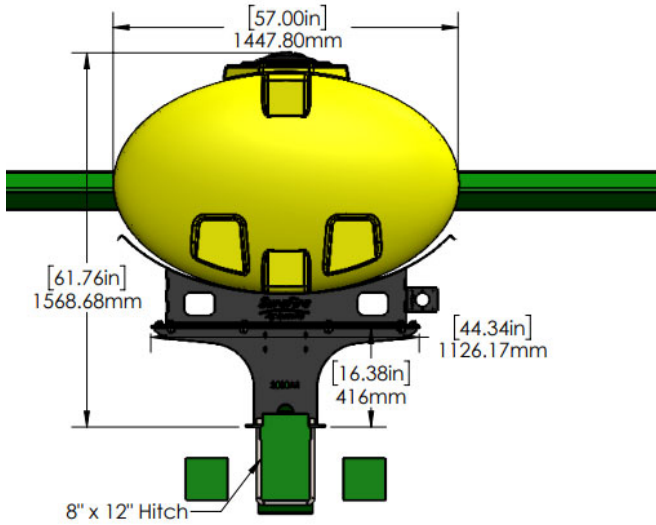
1. Position support stands per planter model on the following drawings. Loosely attach support stand with 3/4" u-bolts.
2. Place tank cradle on support stands. Bolt loosely with 5/8" bolts. *(Tip: 500 gallon tank cradle can be mounted with sump forward or rearward.)*
3. Install tank and secure with straps. *(This step may have already been completed)*
4. Inspect tank and tank brackets for interference and tighten all bolts.
5. Tighten straps again after the tank has been filled.

NOTE: REFER TO THE FOLLOWING PAGES FOR SPECIFIC INSTALLATION GUIDES.

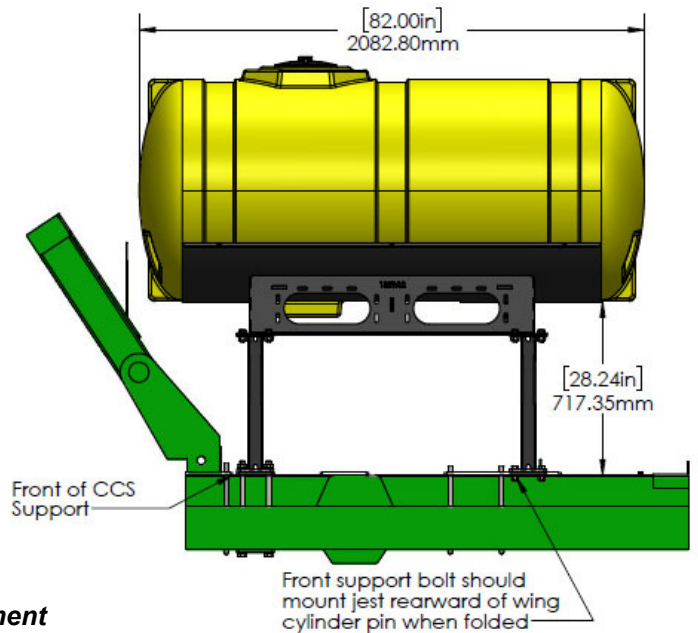
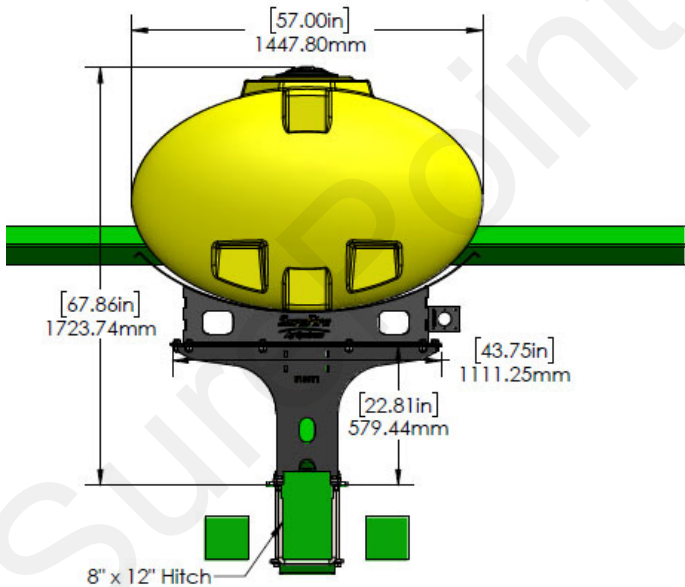


Tank Installation Guide

→
Front of Implement



400 Gallon on JD 1770NT/1775NT 16R30 -NO Refuge Tank, w/ or w/o markers



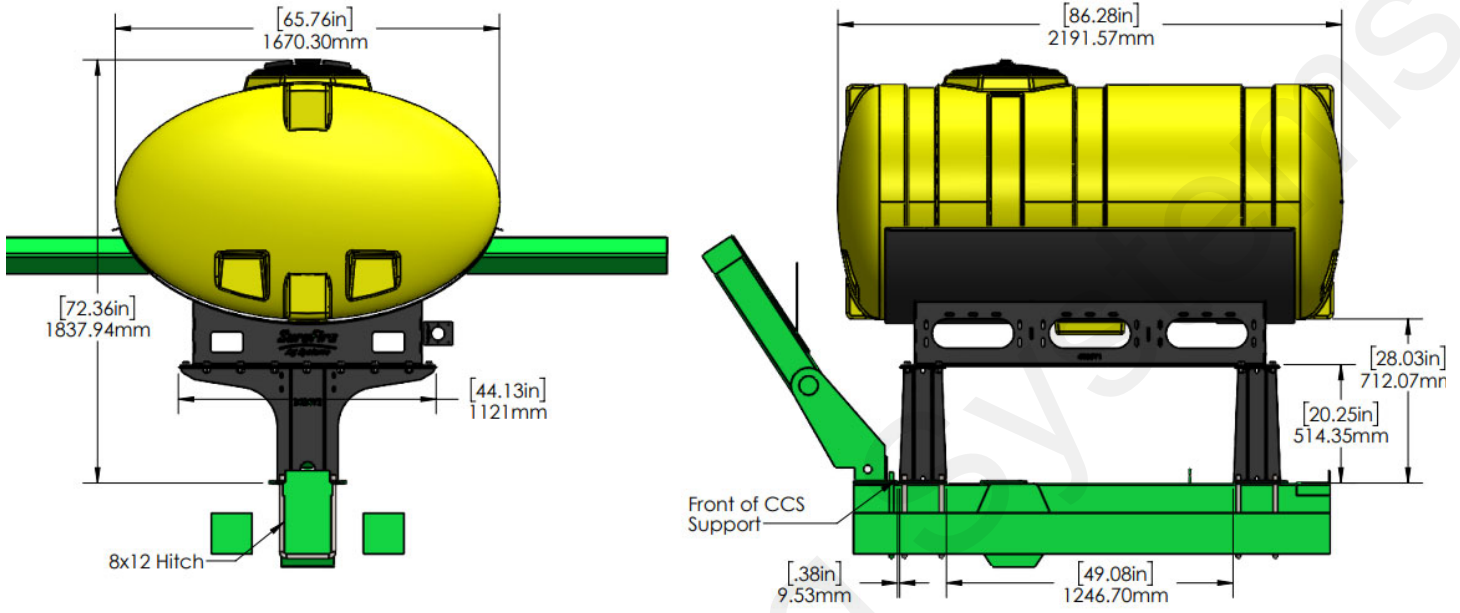
→
Front of Implement

500 Gallon on JD 1770NT/1775NT 16R30 -NO Refuge Tank, w/ or w/o markers

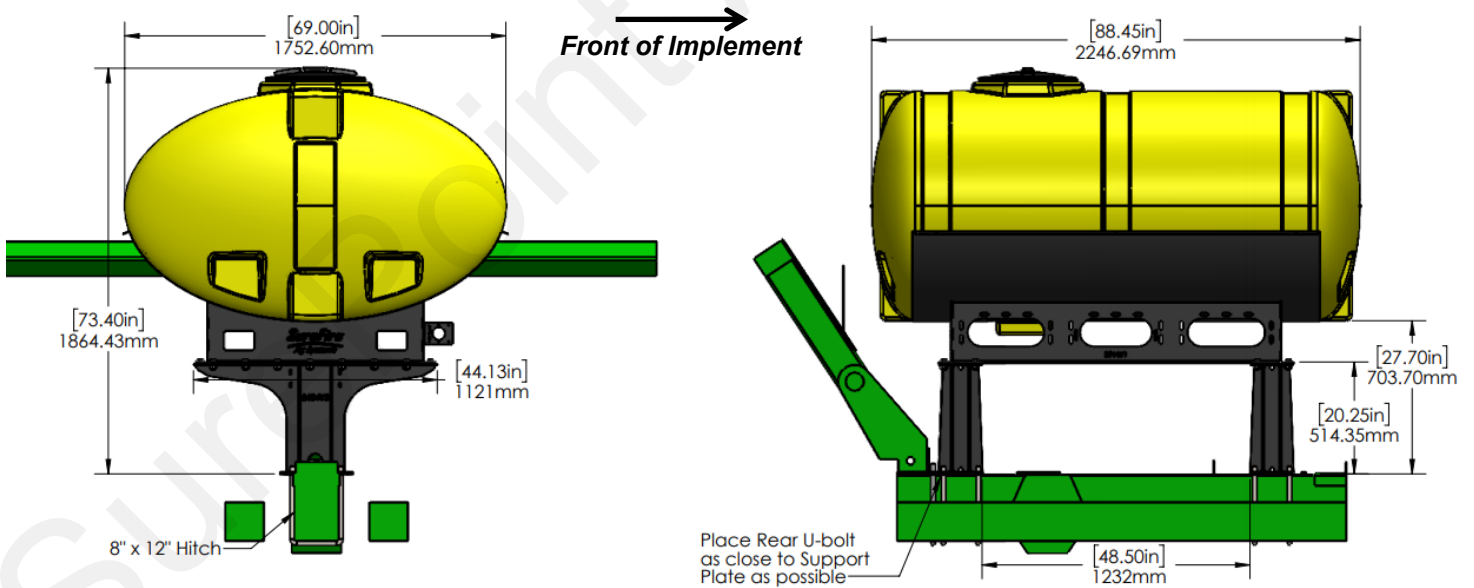


Tank Installation Guide

→
Front of Implement



600 Gallon on JD 1770NT/1775NT 16R30 -NO Refuge Tank, w/ or w/o markers



700 Gallon on JD 1770NT/1775NT 16R30 -NO Refuge Tank, w/ or w/o markers

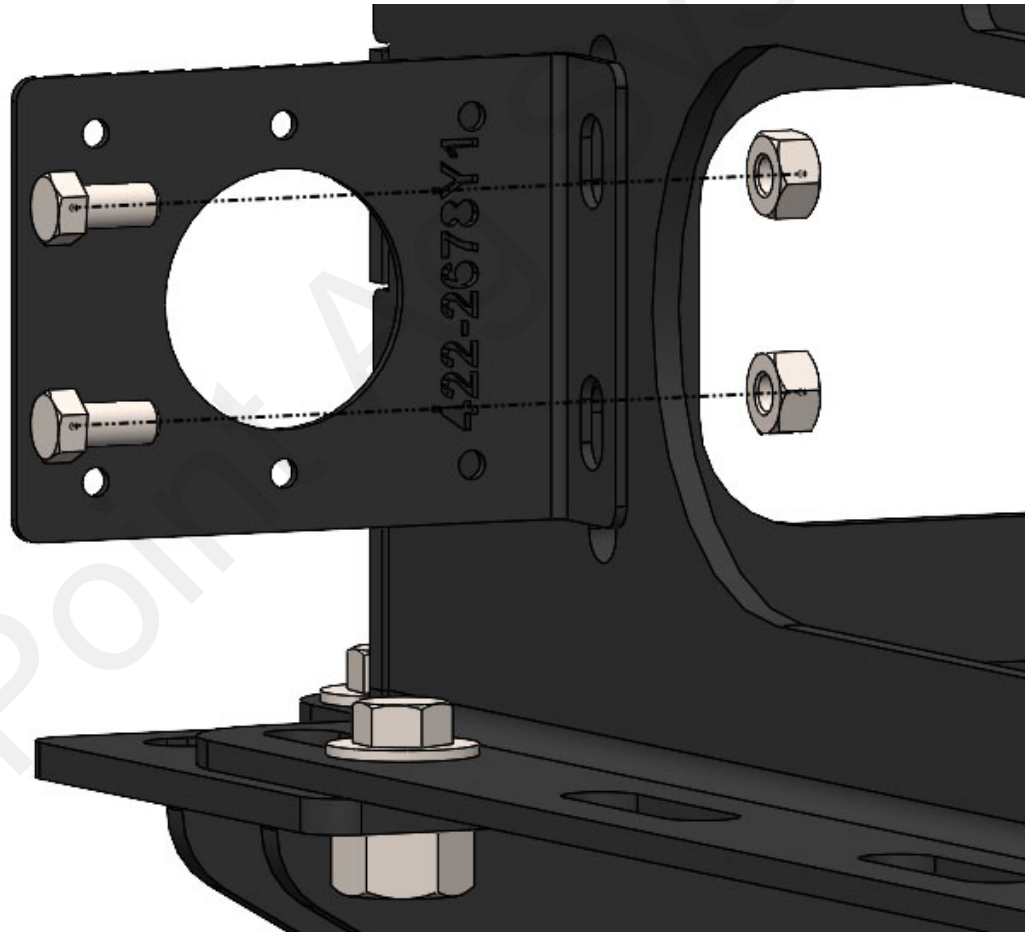


Optional Vacuum Gauge Bracket Installation Instructions

The CCS vacuum gauge must be moved so it can be seen with the tank installed.

Instructions:

1. Mount 422-2678Y1 gauge bracket to the front of the tank cradle using 3/8" bolts and flange nuts. (Shown Below)
2. Remove gauge from current mount and mount vacuum gauge to new bracket using existing hardware.
3. Use 1/4" hose mender and 3/8" OD poly tubing (P/N 521-00-100255) to extend vacuum tubing to relocated vacuum gauge.





Hydraulic Cylinder Depth Stops for Marker Clearance

If you have a planter with markers, you may have to use Hydraulic cylinder depth stops so the markers will clear your tank. If you have any marker clearance issues, these depth stops will need to be purchased from your local John Deere dealership. Follow the step-by-step instructions below to install your depth stop kit.

1. After the install of your tank kit, determine the extra marker clearance needed to clear the tank. The PM30098 Depth Stop Kit provides 4 depth stops of varying thicknesses: 3/4", 1", 1-1/4", and 1-1/2". You may use one, some, or all of these stops to get the proper clearance from your tank.
2. Open the planter and set the planter to "Plant" mode. Lay the markers out and place the necessary depth stops on the cylinder rods.
3. Retract the markers and fold the planter carefully. Your markers may not clear the tank on the first try. When folding the planter, watch the marker clearance carefully and adjust marker stops as necessary for your application.

**John Deere Hydraulic
Cylinder Depth Stop Kit
Part Number: PM30098**



Place depth stops here: