



396-001290

John Deere 1770/1775NT

60 Ft - 24 Row

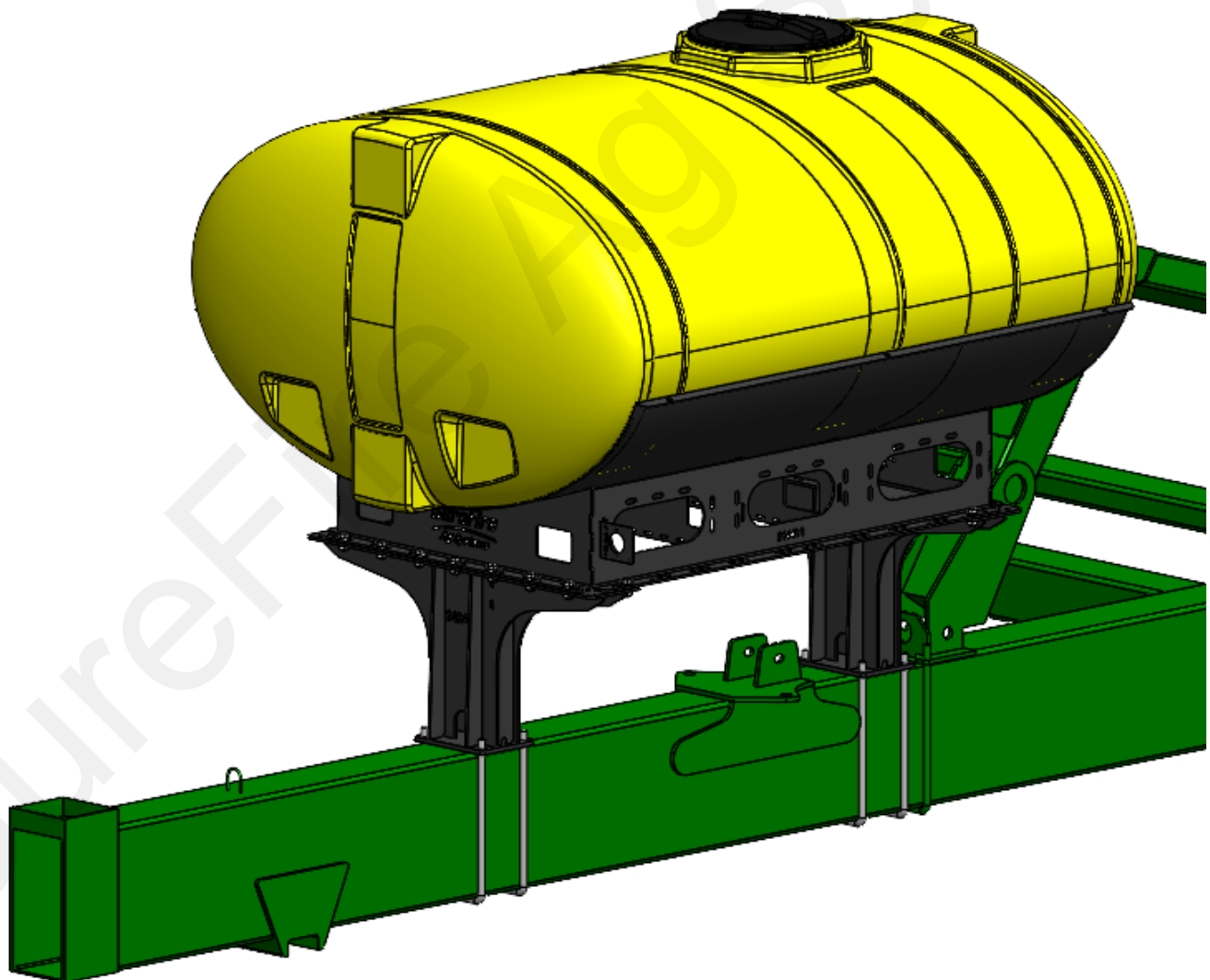
Hitch Mounted Tank Instructions

Kit Number:

530-01-150500: 500 Gallon Elliptical Tank Kit

530-01-150550: 600 Gallon Elliptical Tank Kit

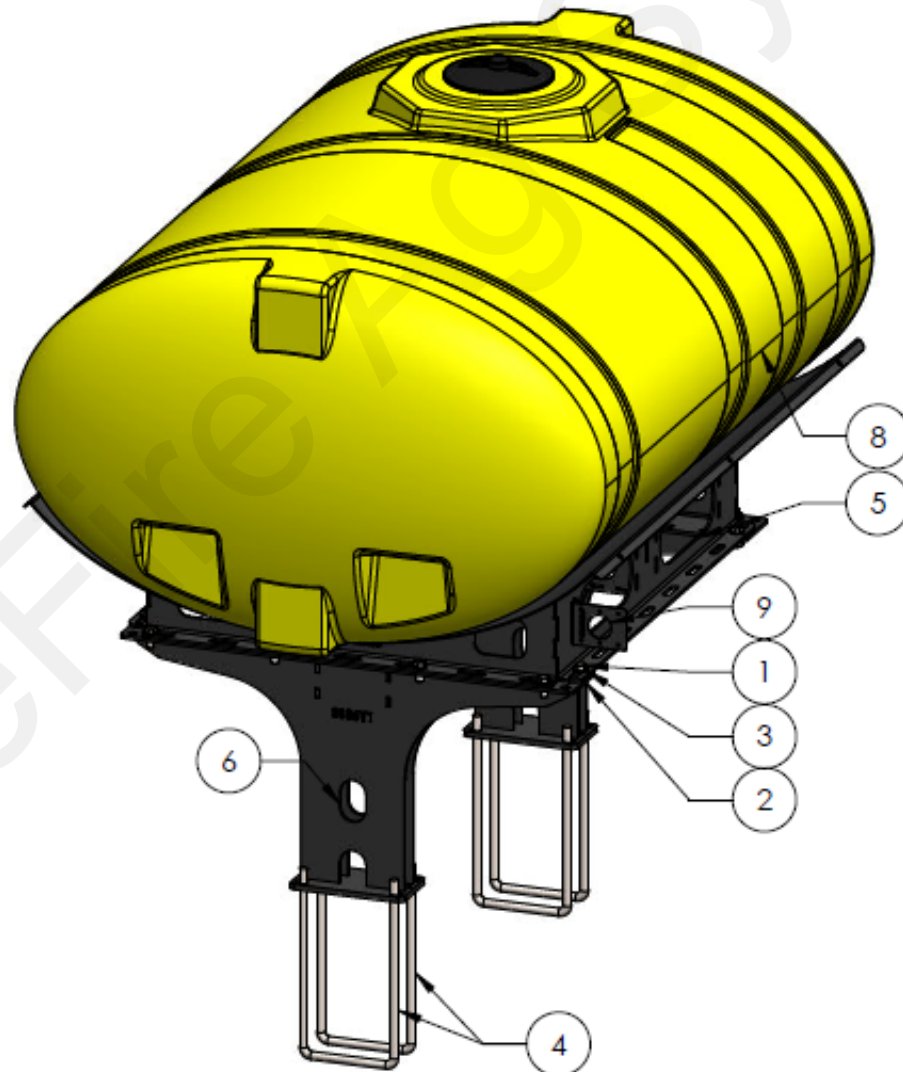
530-01-150600: 750 Gallon Elliptical Tank Kit





Parts List and Exploded View Kit Number: 530-01-150500 (500 Gal)

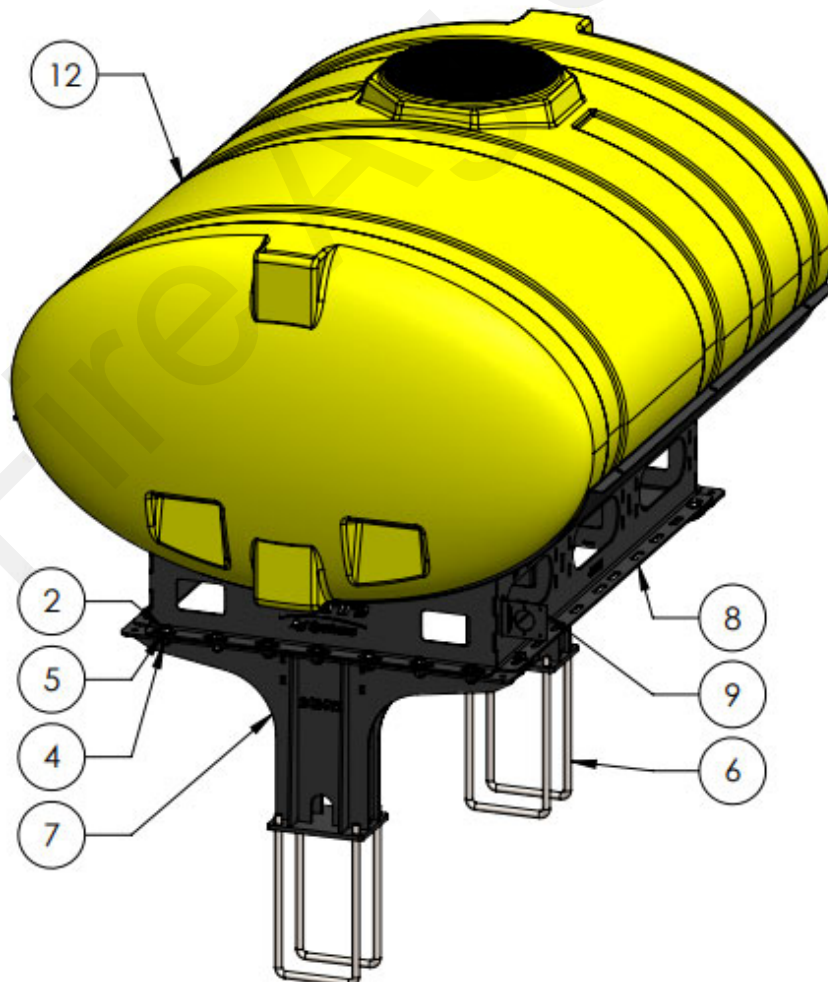
ITEM NO.	PART NUMBER	DESCRIPTION	QTY.
1	300-100108-5	5/8" x 1-1/2" Hex Head Bolt - G5	12
2	323-10	5/8" Flange Nut	12
3	330-10	5/8" Flat Washer	12
4	380-1067	3/4" U-Bolt Kit - Fits 8"x16" tube	4
5	421-1329A2-BK	500 Gallon Elliptical Cradle, Black	1
6	421-3136Y1-BK	22" Hitch Mount Pedestal (400 or 500 Gal)	2
7	525-3000	3" Tank Strap Kit	3
8	727-01-HE0500-57-OS-Y	Elliptical Tank - 500 Gal - Yellow	1
9	521-00-100255	John Deere CCS Gauge Extension Assembly	1





Parts List and Exploded View Kit Number: 530-01-150550 (600 Gal)

ITEM NO.	PART NUMBER	DESCRIPTION	QTY.
1	300-060012-5	3/8" x 3/4" Hex Head Bolt - G5	2
2	300-100108-5	5/8" x 1-1/2" Hex Head Bolt - G5	18
3	323-06	3/8" Flange Nut	2
4	323-10	5/8" Flange Nut	18
5	330-10	5/8" Flat Washer	18
6	380-1067	3/4" U-Bolt Kit - Fits 8"x16" tube	4
7	421-2424Y2	20" 600-750 Gallon Tank Pedestal	2
8	421-4105Y1-BK	600 Gallon Elliptical Cradle, Black	1
9	422-2678Y1	Bracket for Vacuum Gauge on JD Planters	1
10	521-00-100255	John Deere CCS Gauge Extension Assembly	1
11	525-750	3" Tank Strap Kit for 600/750 Gallon	3
12	727-01-HE0600-CS-Y	Elliptical Tank - 600 Gal - Yellow	1

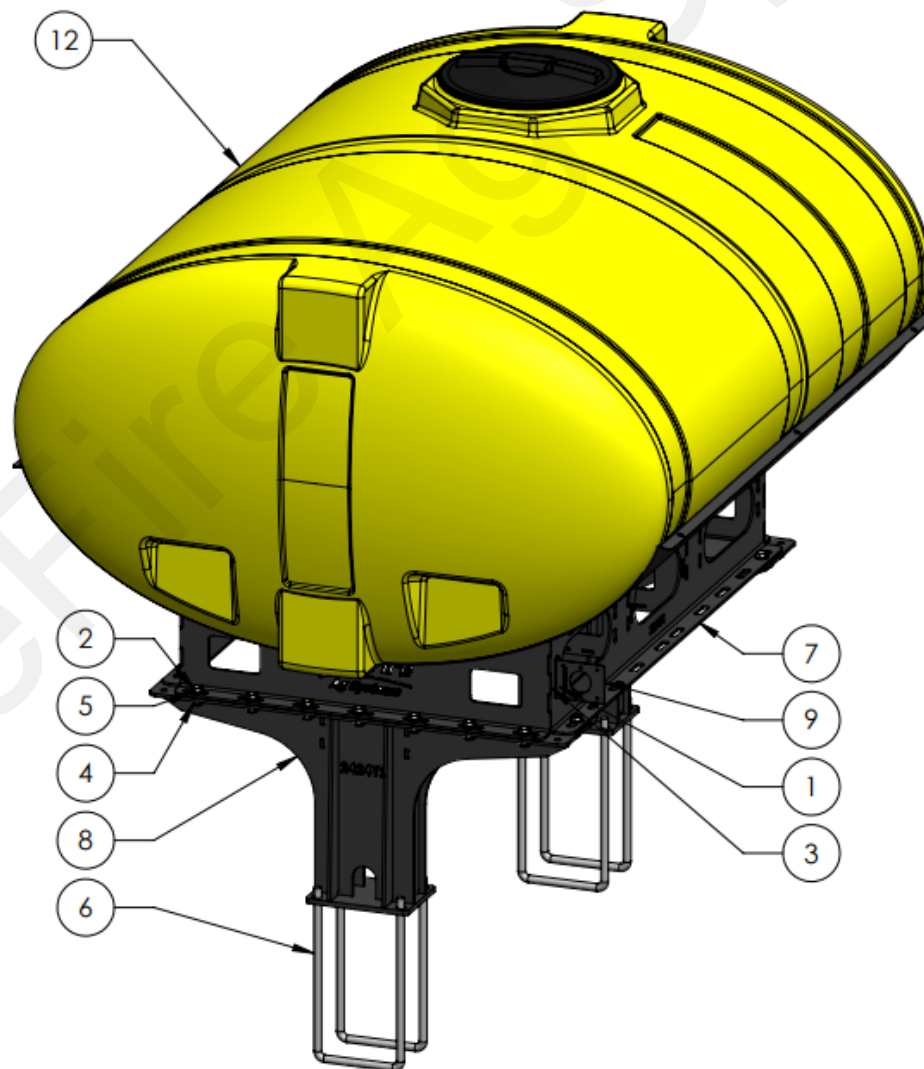




Parts List and Exploded View

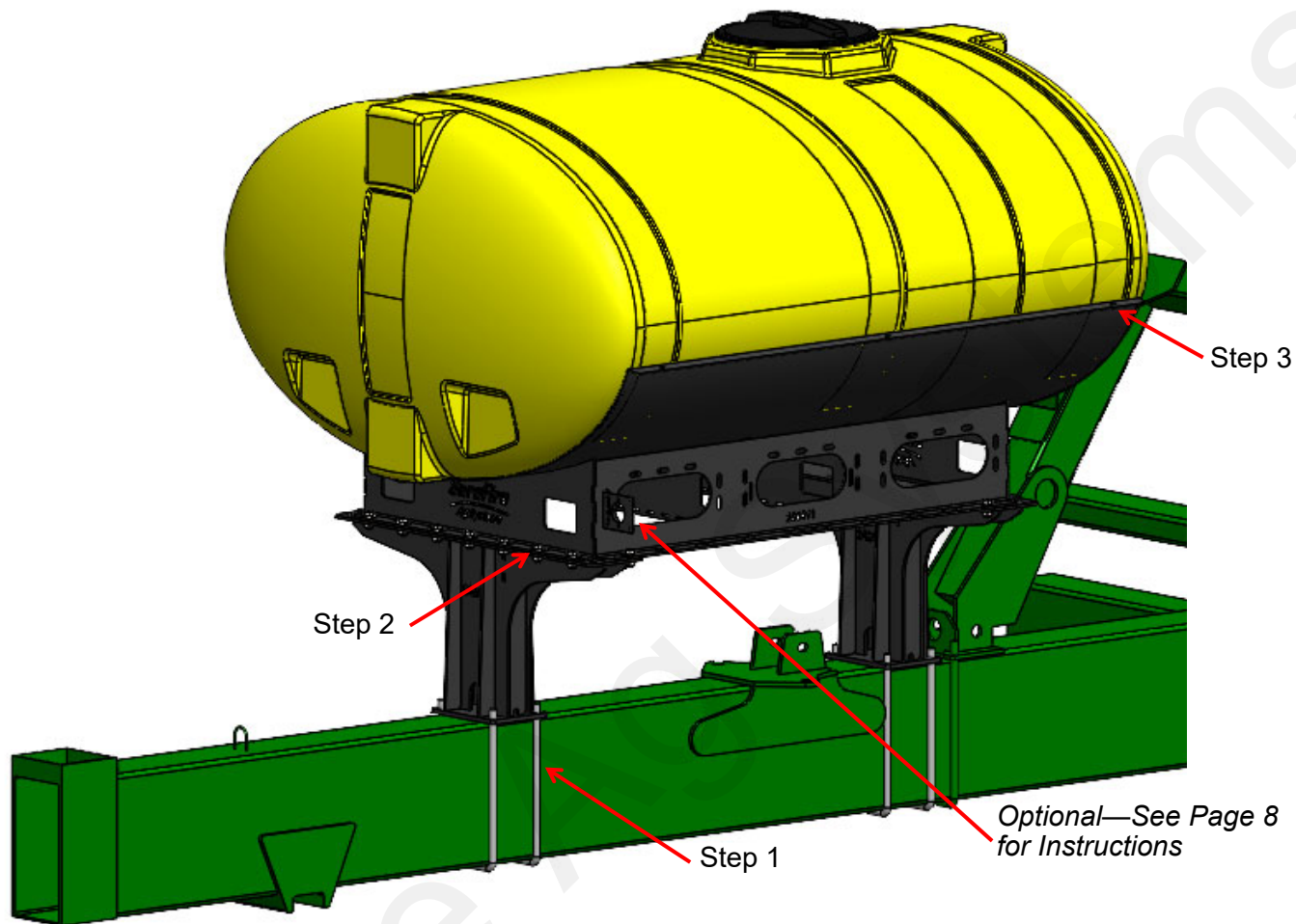
Kit Number: 530-01-150600 (750 Gal)

ITEM NO.	PART NUMBER	DESCRIPTION	QTY.
1	300-060012-5	3/8" x 3/4" Hex Head Bolt - G5	2
2	300-100108-5	5/8" x 1-1/2" Hex Head Bolt - G5	18
3	323-06	3/8" Flange Nut	2
4	323-10	5/8" Flange Nut	18
5	330-10	5/8" Flat Washer	18
6	380-1067	3/4" U-Bolt Kit - Fits 8"x16" tube	4
7	421-2364Y1-BK	750 Gallon Elliptical Cradle, Black	1
8	421-2424Y1-BK	20" 600-750 Gallon Tank Pedestal	2
9	422-2678Y1	Bracket for Vacuum Gauge on JD Planters	1
10	521-00-100255	John Deere CCS Gauge Extension Assembly	1
11	525-750	3" 600/750 Gallon Tank Strap Kit	3
12	727-01-HE0750-69-OS-Y	Elliptical Tank - 750 Gal - Yellow	1





Step by Step Instructions



General Tank Mounting Instructions:

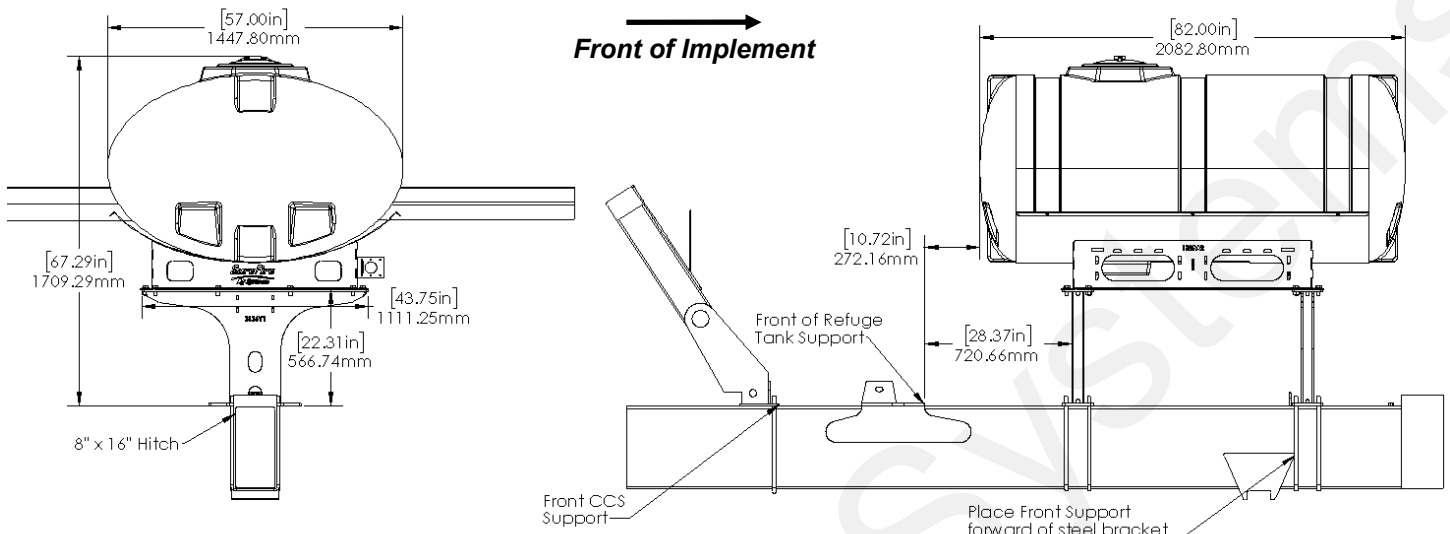
**It is recommended to remove existing vacuum gauge prior to tank installation and installation of new vacuum gauge bracket. See Page 9 for further instructions.*

1. Position support stands per planter model on the following drawings. Loosely attach support stand with 3/4" u-bolts.
2. Place tank cradle on support stands. Bolt loosely with 5/8" bolts. *(Tip: 500 gallon tank cradle can be mounted with sump forward or rearward.)*
3. Install tank and secure with straps. *(This step may have already been completed)*
4. Inspect tank and tank brackets for interference and tighten all bolts.
5. Tighten straps again after the tank has been filled.

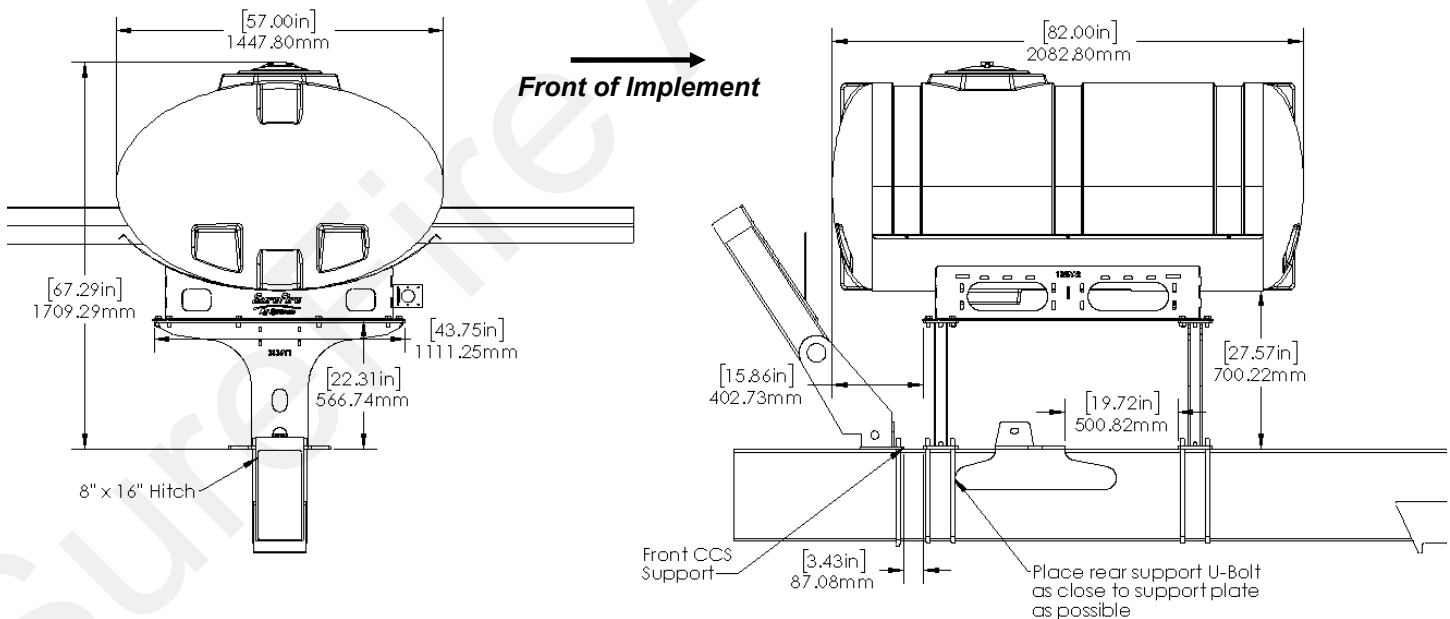
NOTE: REFER TO THE FOLLOWING PAGES FOR SPECIFIC INSTALLATION GUIDES.



500 Gallon Tank Installation Guide



JD1770NT 24R30 -With Refuge Tank, No markers

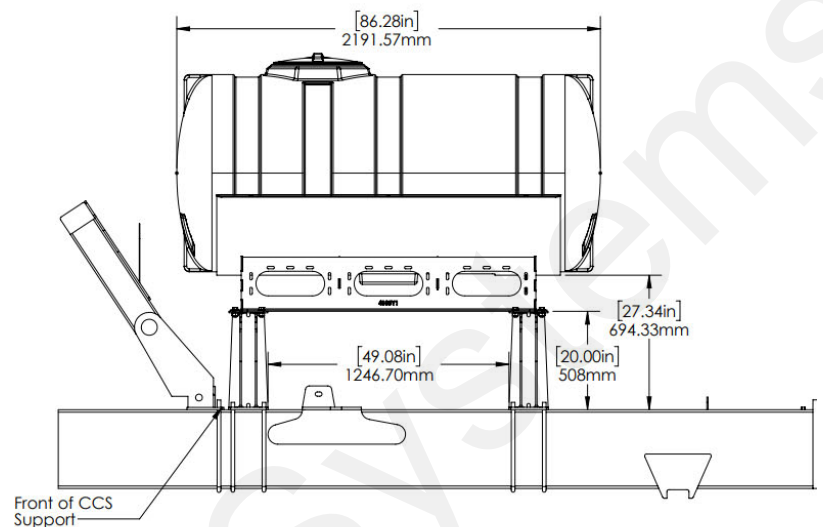
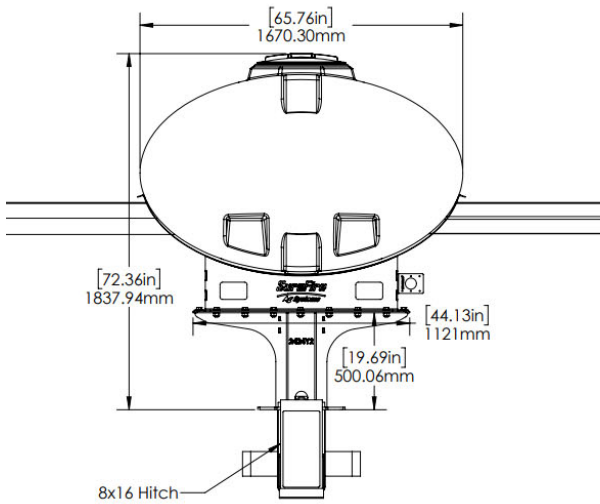


JD1770NT 24R30 -NO Refuge Tank, w/ or w/o markers



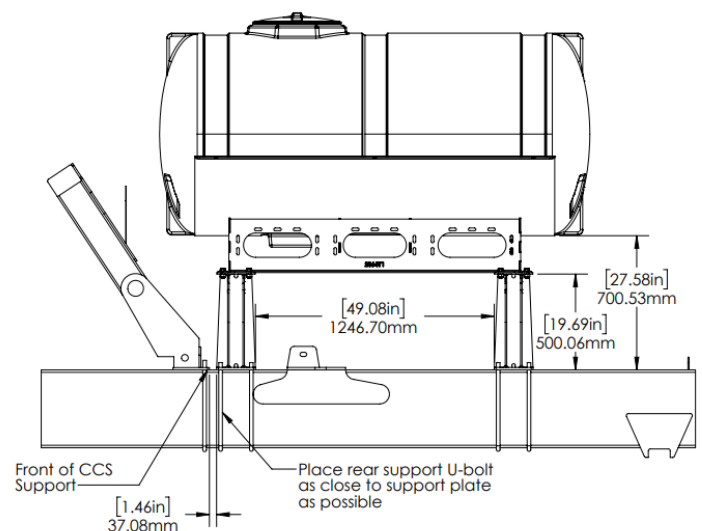
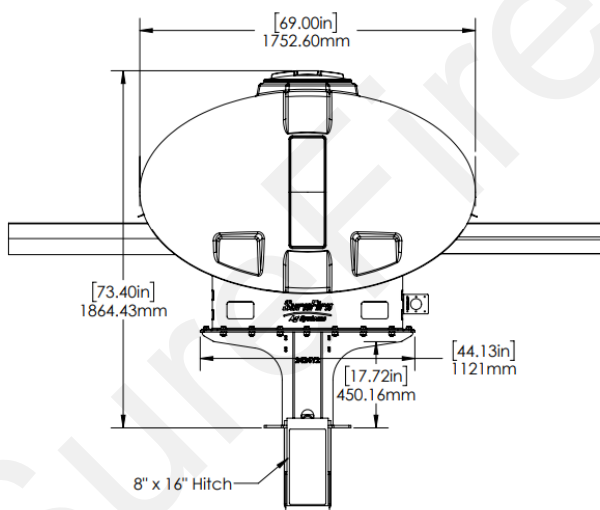
600 / 750 Gallon Tank Installation Guide

→
Front of Implement



JD1770NT 24R30 - 600 Gallon -NO Refuge Tank, w/ or w/o markers

→
Front of Implement



JD1770NT 24R30 - 750 Gallon -NO Refuge Tank, w/ or w/o markers



Optional Vacuum Gauge Bracket Installation Instructions

The CCS vacuum gauge must be moved so it can be seen with the tank installed.

Instructions:

1. Remove gauge from current mount (easiest before tank is installed)
2. Mount 422-2678Y1 gauge bracket to tank cradle using 3/8" bolts and flange nuts.
3. Extend vacuum hose to new gauge location using 1/4" hose mender and 3/8" OD poly tubing, Part Number 521-00-100255.
4. Mount vacuum gauge to new bracket using existing hardware.

