



396-001270

John Deere 1720 CCS PumpRight Mounting Bracket to Circular Plate

Planter Manufacturer:



JOHN DEERE

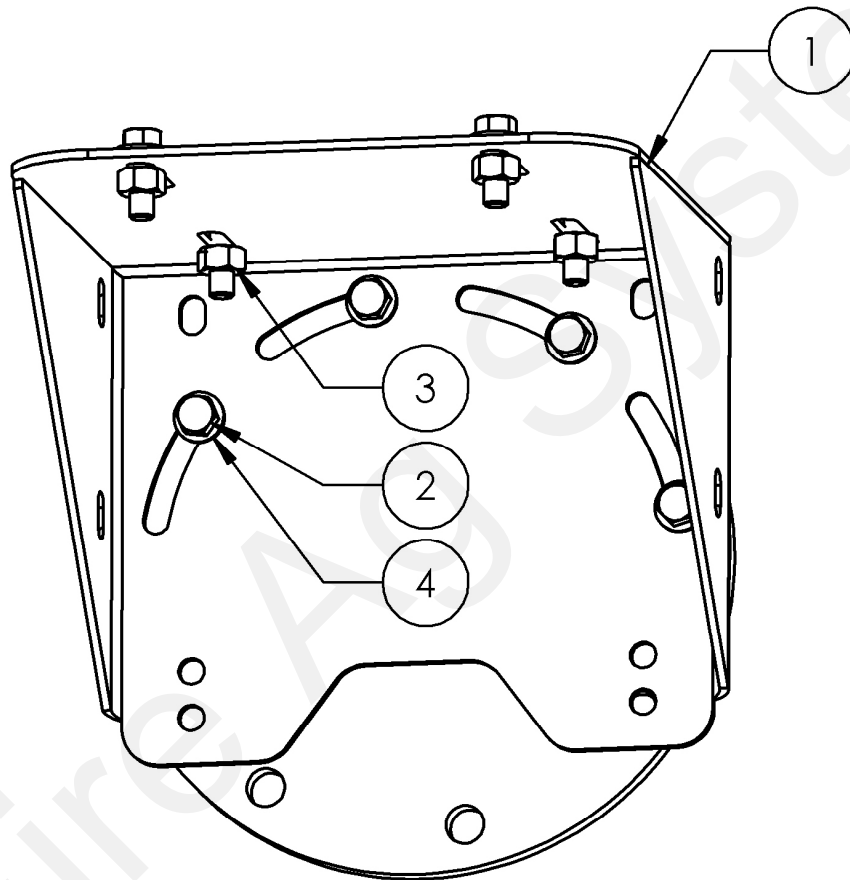
Kit Number: 515-03-2010





Parts List and Exploded View

ITEM NO.	PART NUMBER	DESCRIPTION	QTY.
1	400-1900A1-BK	John Deere 1720 CCS PumpRight Mount Bracket	1
2	300-080108-5	1/2" x 1-1/2" Hex Head Bolt	8
3	323-08	1/2" Flange Nut	8
4	330-08	1/2" Flat Washer	8





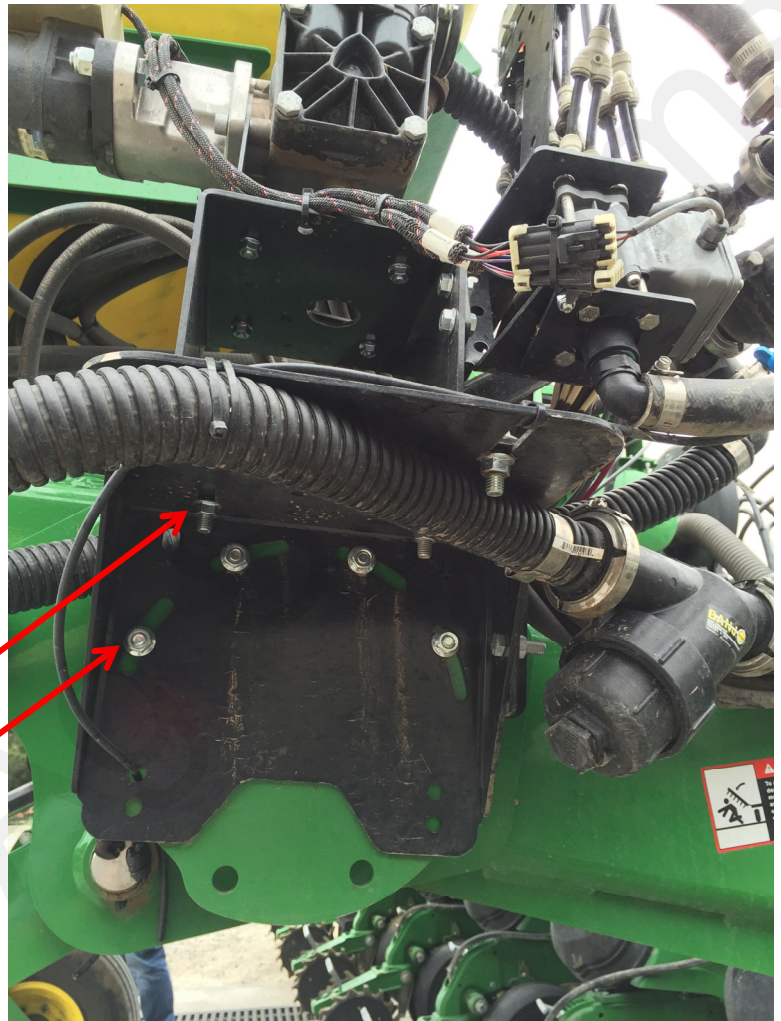
Step by Step Instructions

1. Mount SureFire PumpRight Mounting bracket, part number 400-1900A1, to the circular plate on the outside of the CCS support frame on either side of the planter. Loosely attach with four (4) 1/2" x 1 1/2" hex head bolts.
2. Mount PumpRight to the support bracket using four (4) 1/2" x 1 1/2" bolts.
3. Inspect for clearance, level, and wrench tighten all bolts.

Note: The arced slots allow the bracket to be tilted for near level operation in the field mounted on either side CCS frame.

Step 2

Step 1





Optional Items that may be suggested for this equipment .

Flow Indicator Bracket

SureFire Flow Indicators can be attached to CCS circular plate bracket by using a T-bracket (ordered separately).

1. Using two (2) 1/2" x 1-1/2" Hex Head Bolts and 1/2" flange nuts, attach flow indicator T-bracket to the front of the bracket so that flow indicators can be seen from the cab.
2. Check for clearance and wrench tighten all bolts and u-bolts.

