

201-3147Y1

37 pin to 16 Pin Pump/Single Sec with MultiTube Control Adapter, Constant PWM for Agitation

Length: 2ft

37 Pin Round – AMP
Male pins in male
body (with threads for
swivel nut)

Sections

16 Pin Round – AMP
Male pins in male
body
(with threads for
swivel nut)
**Attach Dust
cover to
Connector**



Mates with
16 Pin
extension or
201-2547Y1

Valve GND	1
Valve GND	2
Valve Power	3
Section 1	4
Section 2	5
Section 3	6
Section 4	7
Section 5	8
Section 6	9
Section 7	10
Section 8	11
Section 9	12
Section 10	13
	14
Servo -/ PWM	15
Servo +/ PWM	16
	17
Flow Return	19
Flow GND	21
Flow Signal	28
Pressure 1 Signal	31
Pressure 2 Signal	35
Power	36
Power	37

Blk 14 AWG	1
Brn	2
Blu	3
Blk/Wht	4
Brn/Wht	5
Blu/Wht	6
Wht/Blk	7
Wht/Brn	8
Wht/Blu	9
Pnk	10
Prp/Wht	11
Wht/Grn	12
Prp	13
Red 14 AWG	14
Blk	15
Red 14 AWG	16



MultiTube Controller

8 Pin Deutsch Female



+12VDC	1
GND	2
Pressure 1	3
PWM+	4
PWM-	5
Section 9	6
Section 10	7

Pump

16 Pin Round – AMP
Female pins in female body
(with swivel nut)



Mates with
215223 or
215218

Blk 14 AWG	1
	2
Yel	3
Grn	4
	5
Blk	6
	7
Prp	8
Prp/Wht	9
Blk	10
	11
Blu	12
	13
Red 14 AWG	14
	15
	16

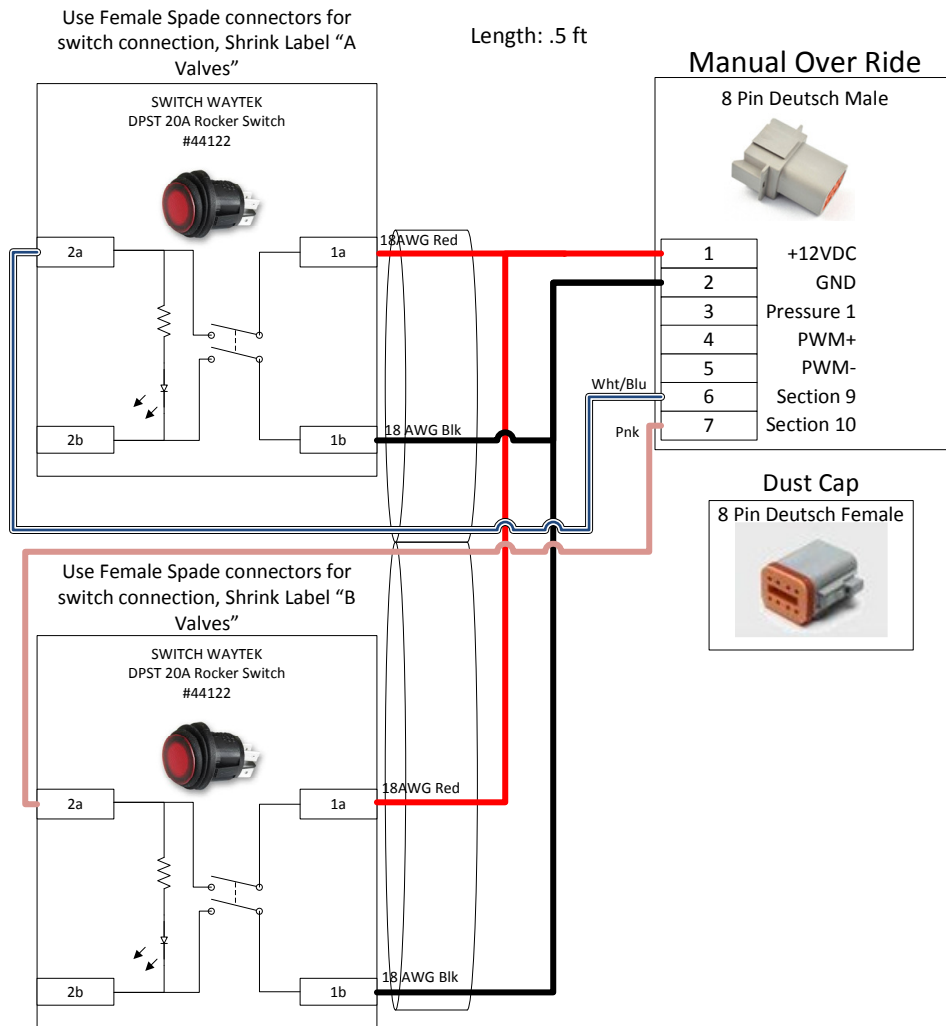
SEE PAGE TWO FOR MANUAL OVERRIDE



Part No:	201-3147Y1	Drawn By:	Dirk Ricker		
Description:	37 pin to 16 Pin Pump/Single Sec with MultiTube Control Adapter, Constant PWM for Agitation	Last Edit Date:	10/12/2015 4:28:24 PM	Revision	A-01
Copyright 2015 SureFire Ag Systems, Reproduction or other use of drawing without express written permission from SureFire Ag Systems is forbidden		Page of Pages	1 of 3		

201-3147Y1

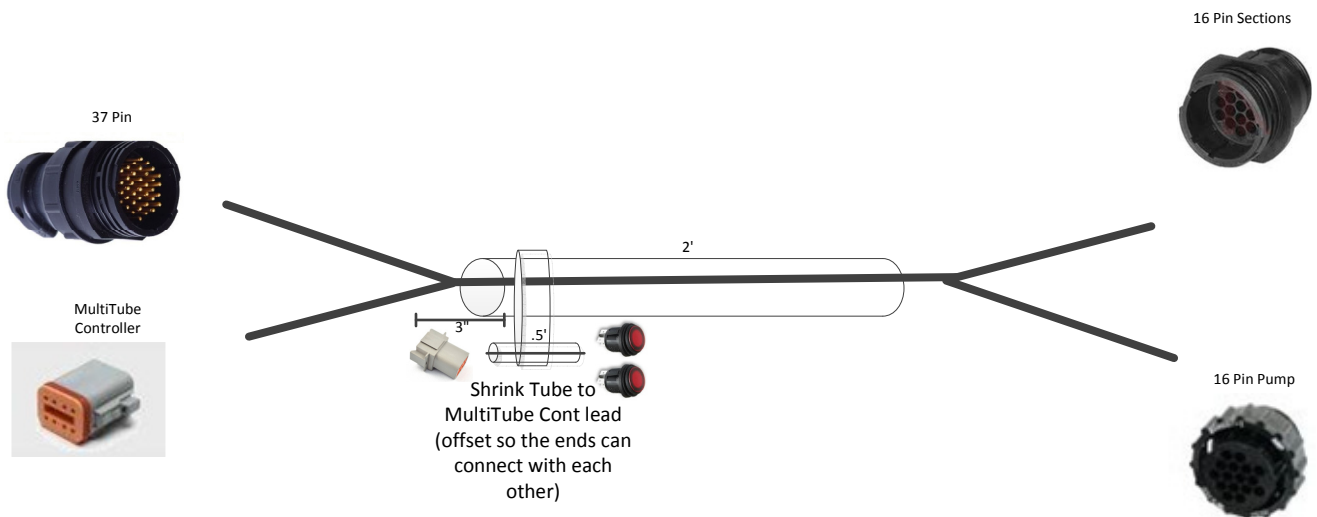
37 pin to 16 Pin Pump/Single Sec with MultiTube Control Adapter, Constant PWM for Agitation



Part No:	201-3147Y1	Drawn By:	Dirk Ricker		
Description:	37 pin to 16 Pin Pump/Single Sec with MultiTube Control Adapter, Constant PWM for Agitation	Last Edit Date:	10/12/2015 4:28:24 PM	Revision	A-01
Copyright 2015 SureFire Ag Systems, Reproduction or other use of drawing without express written permission from SureFire Ag Systems is forbidden		Page of Pages	2 of 3		

201-3147Y1

37 pin to 16 Pin Pump/Single Sec with MultiTube Control Adapter, Constant PWM for Agitation



REVISIONS

A-01 Original Drawing



Part No:	201-3147Y1	Drawn By:	Dirk Ricker		
Description:	37 pin to 16 Pin Pump/Single Sec with MultiTube Control Adapter, Constant PWM for Agitation	Last Edit Date:	10/12/2015 4:28:24 PM	Revision	A-01
Copyright 2014 SureFire Ag Systems, Reproduction or other use of drawing without express written permission from SureFire Ag Systems is forbidden		Page of Pages	3	of	3